

Instruction Manual for
Monster Race Beetle Car 3D Puzzle

AGES
6+



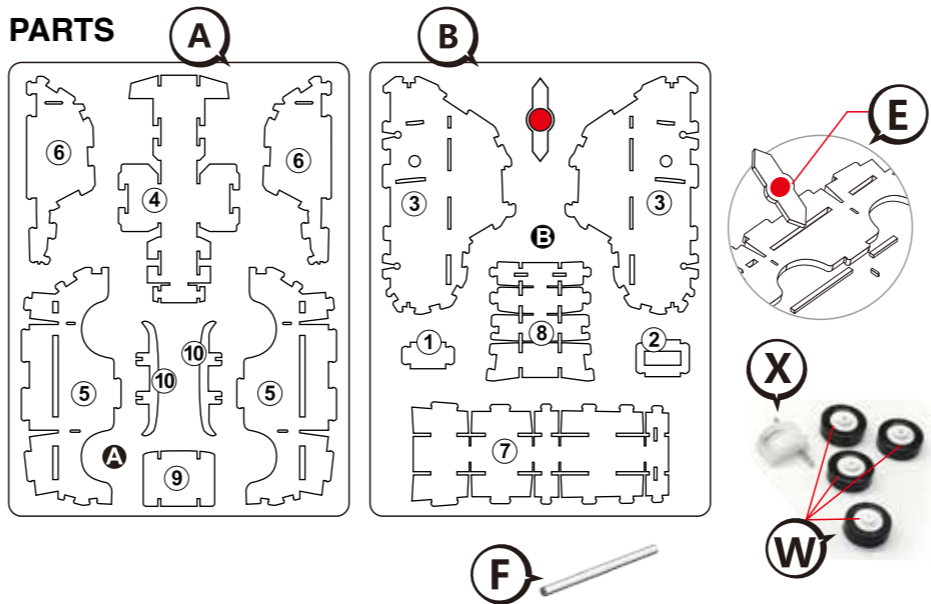
Read through this entire instruction manual BEFORE using **Monster Race Beetle Car 3D Puzzle**.

We're dedicated to bringing you well-designed products that make living fun and easy. We stand behind all our products and warrant this to be free from defects in workmanship and materials for 30 days from the date of purchase.

For service claims or questions please consult our website ProtocolNY.com.

Images may vary from actual product

PARTS



1 B1 + B2 + B3

Attach pieces B2 and B1 to B3.

Note: Make sure all pieces are pressed in all the way in order to securely interlock and leave room for other pieces.



2 + X

Attach motor X by pushing the metal piece through the holes in piece B3.



3 + B3

Attach second piece B3, pushing the other metal end of the motor through the hole.

PROTOCOL



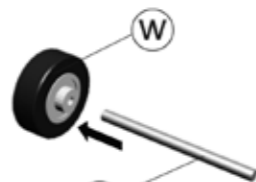
4 + A4

Press structure onto base piece A4.



5 + W + W

Push the back two wheels onto the spokes on the motor.



6 W + F

Push one of the front wheels onto the axis.



7 Insert the axis from step 6 into the front of the car.

ASSEMBLY



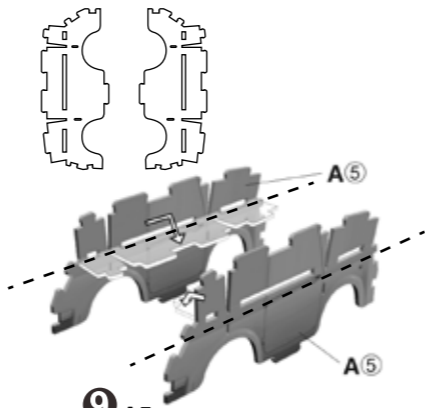
8 + W

Add the fourth wheel onto the other end of the axis.



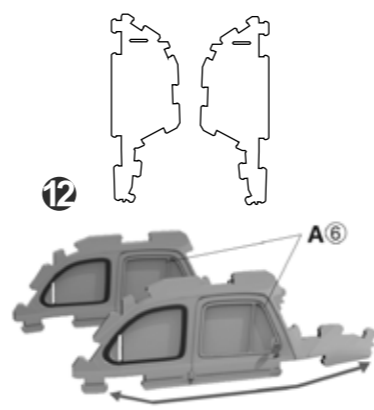
11

Repeat step 10 on both sides.



9 A5

Bend pieces A5 inward until they lie at a 90° angle.



12

+ A6 + A6
Slightly bend pieces A6 inward.



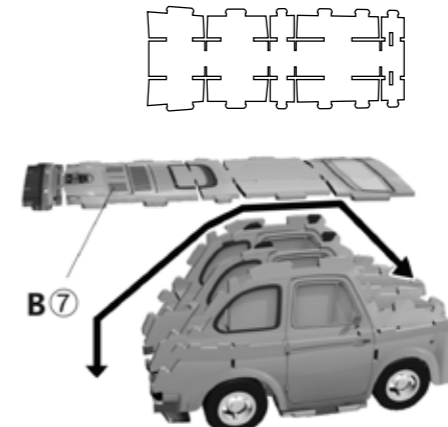
10 + A5 + A5

Insert the bent pieces from step 9 into the structure from step 8.



13 + A6 + A6

Press downward to attach pieces A6 to structure from step 11.



14 + B7

Add piece B7 by bending and folding it over the roof of the car (see Fig. 1).



Fig. 1



15

The puzzle is finished. Pull car backwards to start racing.