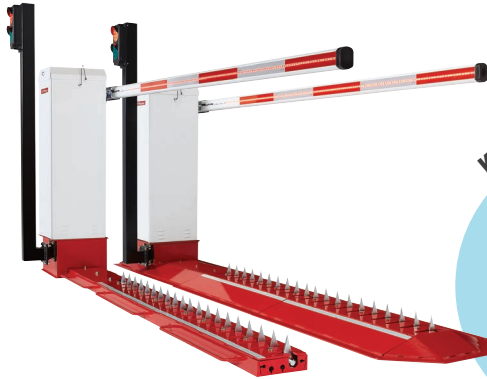


MTS / MTF

# MOTORIZED TRAFFIC CONTROL DC HIGH-CAPACITY BARRIER

Fully integrated barrier gate traffic spike solution.



## KEY FEATURES

SURFACE OR  
FLUSH MOUNT  
OPTIONS

COMPLETE  
INTEGRATION  
OF OPERATOR  
AND SPIKES

## REQUIRED AND RECOMMENDED ACCESSORIES:

## PERFORMANCE

**CONTINUOUS-DUTY DC MOTOR** FEATURES SOFT START/STOP FOR QUIET, EFFICIENT OPERATION.

**WELDED STRUCTURAL STEEL SPIKE EXTENSION ENCLOSURES** ASSURE DURABILITY AND LOAD HANDLING.

**MECHANICAL OVERLOAD ASSEMBLY** PROTECTS THE OPERATOR AND DRIVE FROM DAMAGE.

## RELIABLE

**BATTERY BACKUP** SAFEGUARDS YOUR PROPERTY PROVIDING HUNDREDS OF CYCLES WHEN THE POWER IS DOWN.

**FIRE DEPARTMENT COMPLIANCE** ALLOWS GATE TO AUTO-OPEN UPON LOSS OF AC POWER OR BATTERY DEPLETION.

**WARRANTY** 2 YEARS OPENER AND TRAFFIC SPIKE SYSTEM. 10 YEARS OPENER CABINET.

## SMART

**BREAKAWAY ARM** CAN BE EASILY REINSTALLED IF ARM IS HIT.

**HEAVY-DUTY BASE** ASSEMBLY SURFACE MOUNT VERSION CAN BE INSTALLED ONTO ASPHALT OR CONCRETE FOR SAME-DAY INSTALLATION.

**OPTIONAL SIGNAL LIGHT** IS SYNCHRONIZED DIRECTLY TO THE SPIKE POSITION.

**SEQUENCED ACCESS MANAGEMENT** PROVIDES CONTROL BETWEEN OTHER SLIDE AND SWING OPERATORS.

**DUAL-GATE OPERATION** WORKS IN CONJUNCTION WITH ANOTHER BARRIER OPERATOR.

**UNIVERSAL CONTROLLER** WITH 8 INPUTS ALLOWS FOR THE CONNECTION OF A FULL RANGE OF OPTIONAL EXTERNAL DEVICES.

### WARNING SIGNS: REQUIRED

(14115 Lighted / 14150 Reflective)  
Available in reflective or LED lighted version with sensor that turns on at dusk, off at dawn.



14115, 14150

### RED/GREEN SIGNAL LIGHT: HIGHLY RECOMMENDED

Alerts vehicles when spikes have fully retracted and it is safe to pass.



13350

## OPTIONAL ACCESSORIES:

### LIFTMASTER LOOP DETECTOR

Automatic sensitivity settings and power efficient to maximize operator's battery backup operations.



LD7LP

### RETRO-REFLECTIVE PHOTO EYE

Non-contact reversing sensor.



AOMRON

### LED BARRIER ARM

Aluminum arm with red LED light on one side and red/white DOT tape on both sides.



MALED12/MALED17

### SPEED BUMPS

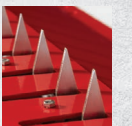
Used to slow vehicles approaching the traffic system.



16100-1

### SPIKE EXTENSIONS WITH GALVANIZED TRAFFIC PLATES

Added corrosion protection for coastal areas, or where road salt is used.



13100XC/13200XC

### SNOW MELTING HEATERS

Keeps the spike sections free from snow and ice.



CHTR-18,-24,-30

PRODUCT GUIDE

MTS / MTF

MOTORIZED TRAFFIC CONTROL

**LiftMaster**

# AVAILABLE CONFIGURATIONS:



## SURFACE MOUNT (MTS)

**MTS SURFACE MOUNT TRAFFIC CONTROL** IS MOUNTED TO THE SURFACE OF LEVEL PAVEMENT AND PROVIDES SPEED BUMP TO SLOW TRAFFIC. A SLOPED END CAP PROVIDES A FINISHED END TO THE SPIKE SECTION.



## IN-GROUND FLUSH MOUNT (MTF)

**MTF FLUSH MOUNT TRAFFIC CONTROL** IS MOUNTED INTO THE CONCRETE PAVEMENT AND CONCRETE IS POURED AROUND THE SPIKE EXTENSIONS. BEST SOLUTION FOR LOW GROUND CLEARANCE VEHICLES.



The LiftMaster® In-Ground Flush Mount model features integrated rebar anchoring bars which provide outstanding retention in concrete.

### LEFT SIDE ORIENTATION



### RIGHT SIDE ORIENTATION



## ORIENTATION

**LEFT SIDE OR RIGHT SIDE** DETERMINED BY THE SIDE THE OPERATOR IS ON AS THE VEHICLE APPROACHES.

## SIZE

**AVAILABLE IN 9 FT., 12 FT., OR 15 FT. VERSIONS.** 3 FT. TRAFFIC SPIKE EXTENSIONS PROVIDES THE ABILITY TO USE UP TO 5 EXTENSIONS MAX. NOTE: THE MAX BARRIER ARM LENGTH IS FOR A 15 FT. VERSION.

## FINISH

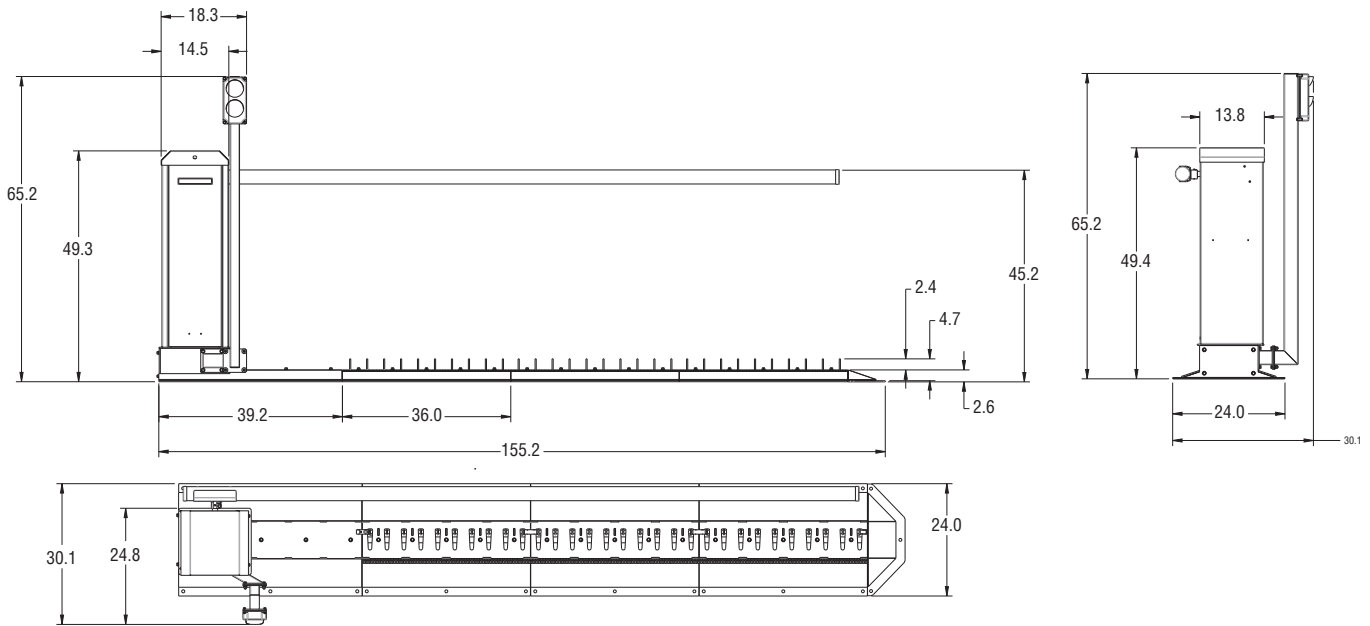
**POWDER COAT PAINTED (XP)** TRAFFIC TOP PLATES ON SPIKE EXTENSIONS, OR **OPTIONAL GALVANIZED (XC)** TRAFFIC TOP PLATES WITH POWDER COAT PAINT FOR ADDED CORROSION PROTECTION FOR COASTAL AREAS OR WHERE ROAD SALT IS USED.



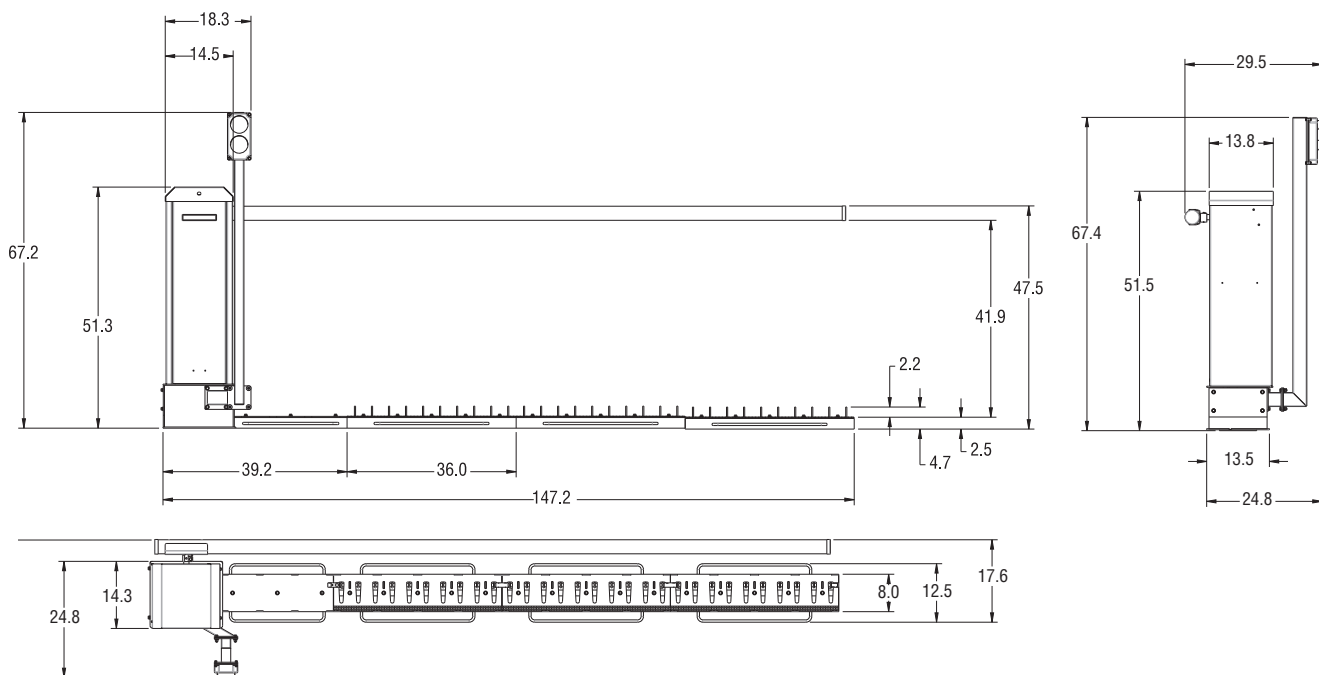
Both the Surface Mount (MTS) and Flush Mount (MTF) feature a Heavy-Duty Base engineered to provide a sturdy platform for the barrier and signal light, and house the transmission to the Traffic Spikes. This design eliminates the need to pour a special concrete base foundation for the surface mount configuration (MTS) when installed on level pavement.

# SCHEMATICS

## SURFACE MOUNT (MTS)



## IN-GROUND FLUSH MOUNT (MTF)



# MASTERFUL ENGINEERING.

## FEATURES



- Battery Backup safeguards property when power is down.
- Built-in 110V Convenience Outlet Simplifies Adding Accessory Devices.
- 850LM Radio Receiver Stores up to 90 Remote Controls.
- K1 Relay Provides Output Signals to Activate Other Accessories or Operators During Open/Close Cycles.
- Mechanical Overload Assembly Protects the Operator and Drive from Damage.
- Convenient Top Plate Access to Spike Extensions Speeds Cleaning Out Road Debris.
- 1/4" Welded Structural Steel Spike Extension Enclosures feature Zinc-Plated Spikes Assemblies, with Stainless Steel Hardware.

## CONSTRUCTION



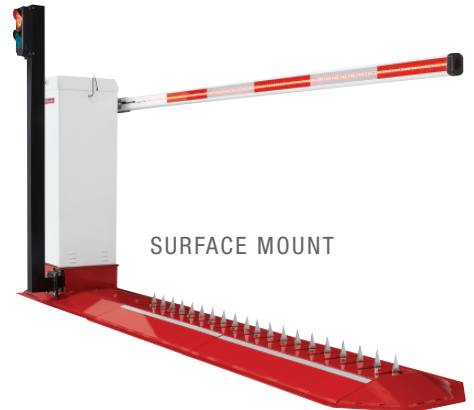
- Gear Reduction: 60:1 Reducer in Synthetic Oil Bath.
- Motor: 1/2 Hp Equivalent Continuous-Duty 24VDC/800 RPM.
- Operator Cabinet: Powder Coated 1/4" Aluminum Alloy.
- Spike Assembly: Red Powder Coat Painted 1/4" Steel Construction.

## STANDARD SPECS.

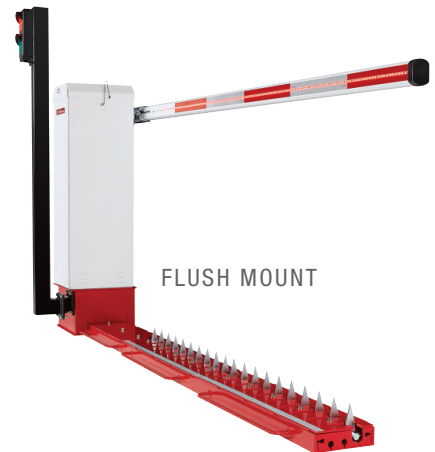
- **OPERATOR SPEED:** 2.5 Seconds to Open or Close.
- **POWER:** 120V/230V Single Phase.
- **ACCESSORY POWER:** 24VDC 500mA Output.
- **GEAR REDUCTION:** 60:1 Reducer in Synthetic Oil Bath.
- **LOAD RATING:** 36,000 LBS. Per Single Axle Load.
- **TEMPERATURE SPECIFICATIONS:** -13°F (-25°C) to 140°F (60°C).
- **UL LISTED:** UL 325 & UL 991 – Class II, III, IV.

## ADDITIONAL OPTIONS.

- **THERMOSTAT CONTROL HEATER FOR OPERATOR: (UN201)**  
Maintains a Suitable Temperature Inside Operator for Temperatures Below 32°F.
- **ARTICULATED ARM**



SURFACE MOUNT



FLUSH MOUNT

For Support Tools and Training Videos, Visit [LiftMasterTraining.com](http://LiftMasterTraining.com)

For More Information, Visit [LiftMaster.com/UL325GATES](http://LiftMaster.com/UL325GATES)  
[LiftMasterDealer.CustHelp.com/App/Ask](http://LiftMasterDealer.CustHelp.com/App/Ask)  
[LiftMaster.com/TOTAL PAS](http://LiftMaster.com/TOTAL PAS)

Sales Support: **800.282.6225**  
Technical Support Center: **800.528.2806**  
To Order: **800.323.2276**