



Camden Facial Steamer

MODEL B88303

Barneys Camden Digital Facial Steamer & Bradford LED
Magnifying Lamp Combo

MODEL B88304

Barneys Camden Facial Steamer & Bradford LED
Magnifying Lamp Combo

User Manual

Please read this user manual carefully before using the product.

www.barneyssalonsupplies.com.au | 1800 676 522

1. Features

Camden Facial Steamer series (including B88303 and B88304).

This series is composed of a metal shell, stainless steel base, fashionable glass water cup, copper spray pipes and more. The stainless steel base guarantees the stability and safety in high temperature settings and will not result in oxidation or re-composition. The spray head can rotate at various angles to make operation easier. Apart from basic herbs function, it is also equipped with a timer pre-set, a five level spray adjustment and an automatic water level detection function. It is also equipped with a maximum and minimum water level alarm system, to help prevent operational damage or harm to users.

2. Functions

Revitalises the skin for a more youthful, healthier and firmer complexion

Opens up the skin's pores for a deeper cleanse

Penetrates deep into pores to soften and lift dirt, residue, makeup and black heads

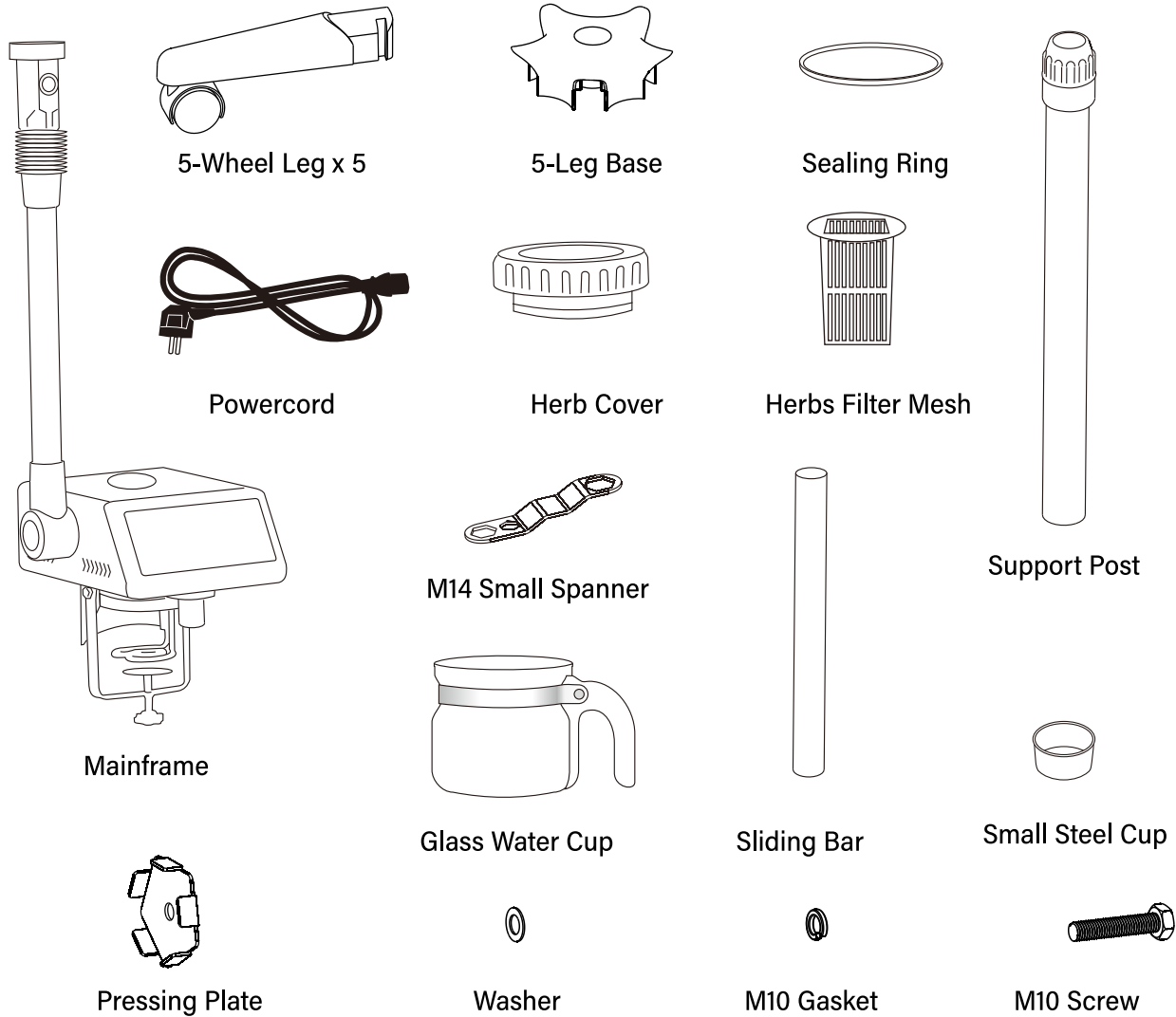
Helps the skin to release toxins and enhance Vitamin D formation

Helps to temporarily soften the appearance of wrinkles

Activates blood circulation, hydrated skin cells, improves metabolism and renews overall complexion

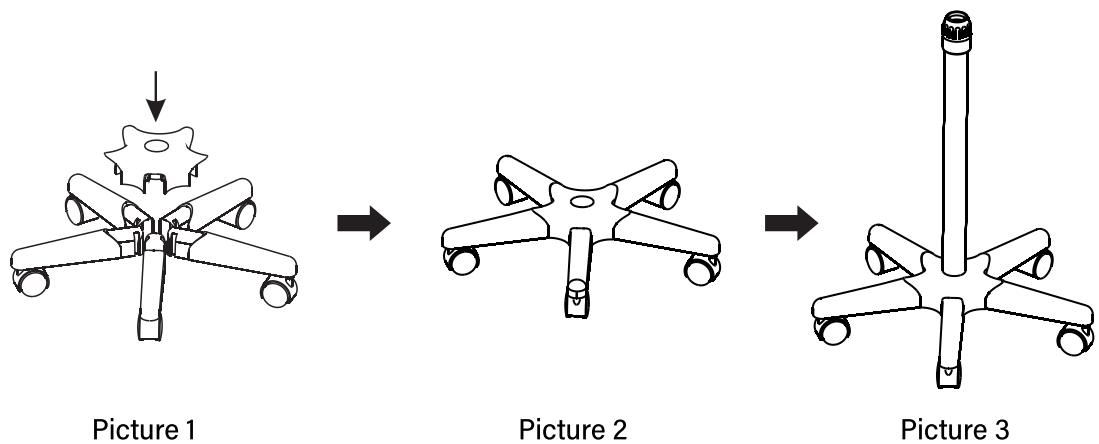
Helps to treat acne, wounds and scars by promoting faster cell regeneration and helping to speed up the healing process

3. Parts Explanation and Installation

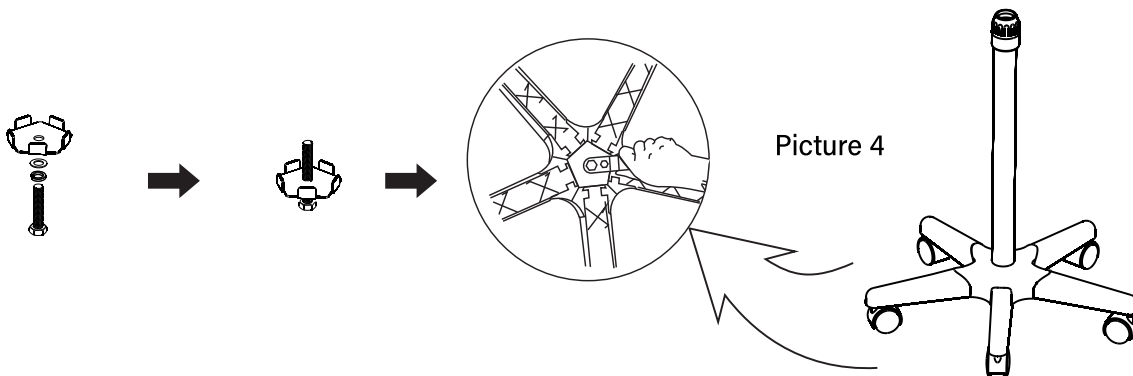


Base Installation for Single Function Steamer

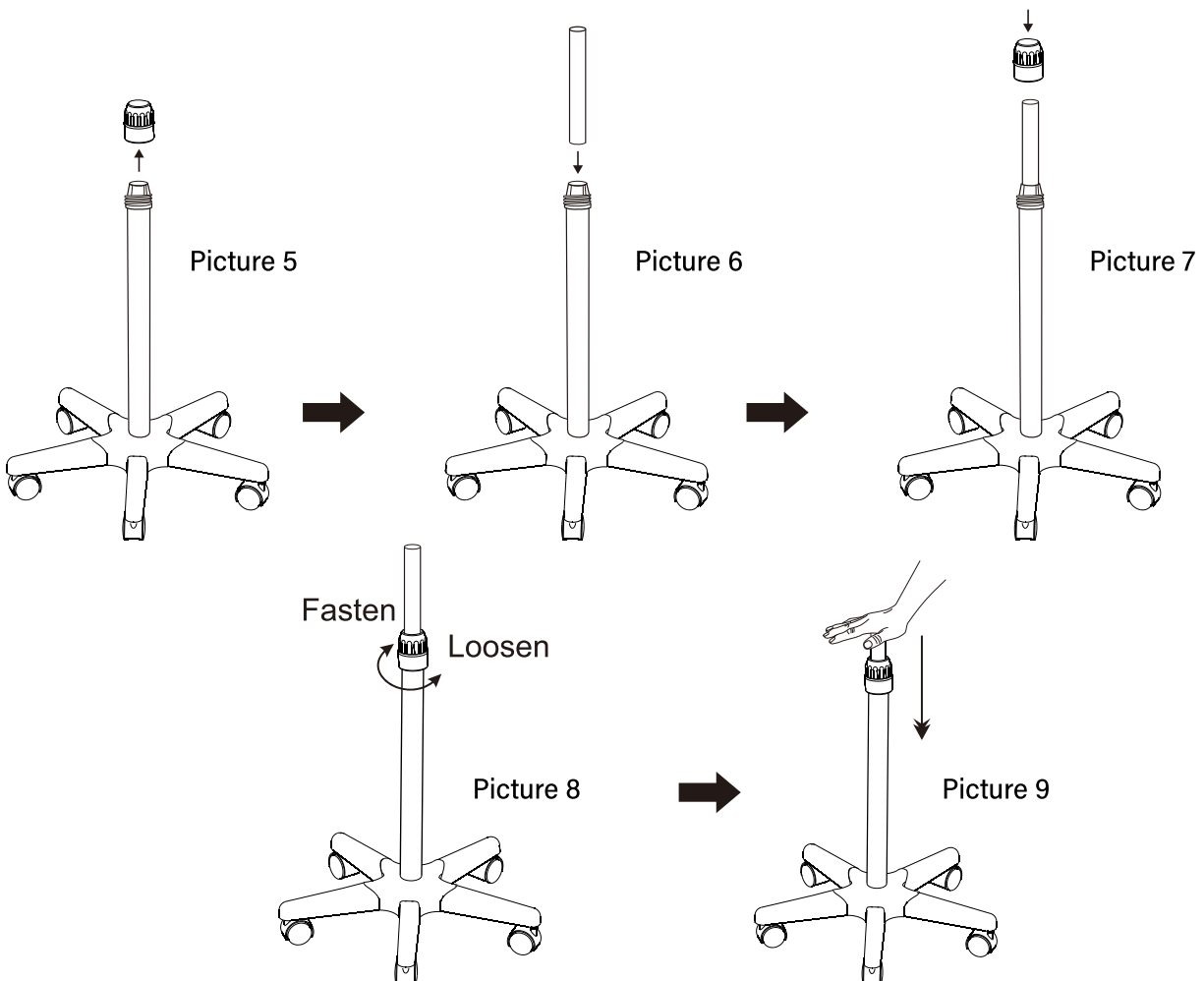
First, mount the five-wheel legs in the five-leg base, then insert the straight post. Please refer to pictures 1, 2 and 3.



Next, insert the screw within the gasket, washer and pressing plate to the support post and tighten. See below:



Then, twist the adjustment thimble, insert the sliding bar into the straight post and press it to its lowest position (See picture No.9), then adjust it to the suitable height and tighten it (Please refer to picture No. 5, 6, 7).

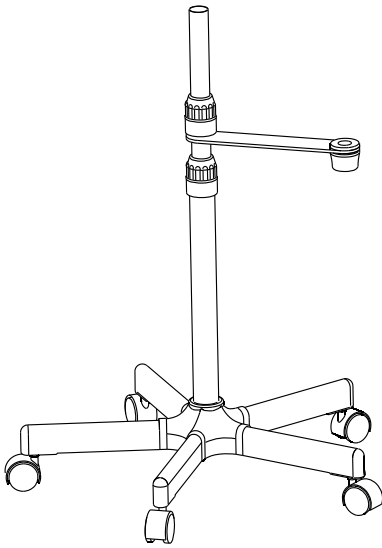


⚠ Warning !

When adjust the height of the sliding bar, first you should hold the sliding bar with one hand, then adjust the adjustment thimble with another hand. Please do not hold the nozzle of the sliding bar to face yourself or others, so as to avoid getting hurt if the sliding bar springs out.

Base installation for steamer and magnifying lamp

First, fix support bracket into the sliding bar and tighten. The fixed support bracket is designed specifically to fit the sliding bar and magnifying lamp.



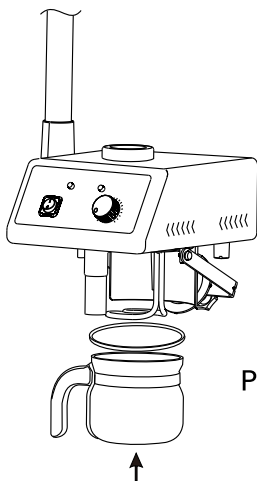
Fixed Support Bracket Magnifying Lamp

⚠ Warning !

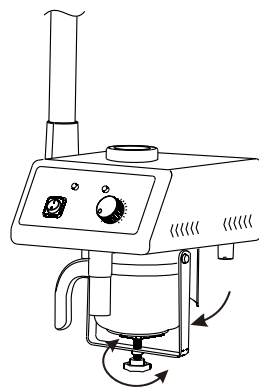
This five-leg base and the magnifying lamp's fixed bracket is designed specially for the magnifying lamp.

Water cup installation

Step 1. Place the sealing ring on the water cup. Step 2. Twist the water cup tray to a suitable position where it can hold the water cup securely, then push it backward. Step 3. Place the water cup into the mainframe. Step 4. Push the tray back and tighten. (Refer to pictures land 2).



Picture 1



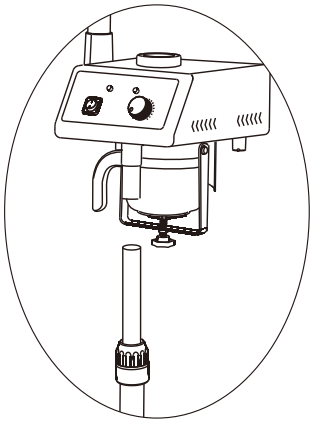
Picture 2

⚠ Warning !

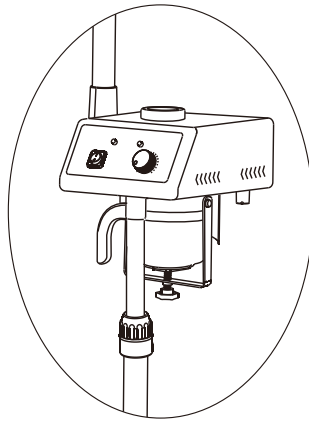
The water cup is designed specifically for this series steamer. Please do not use other similar water cups to place into this steamer, as they could impact operation and cause leakage.

Installation for the whole facial steamer

Please install the steamer onto the sliding bar.(Please see in the following picture No.1 and 2)

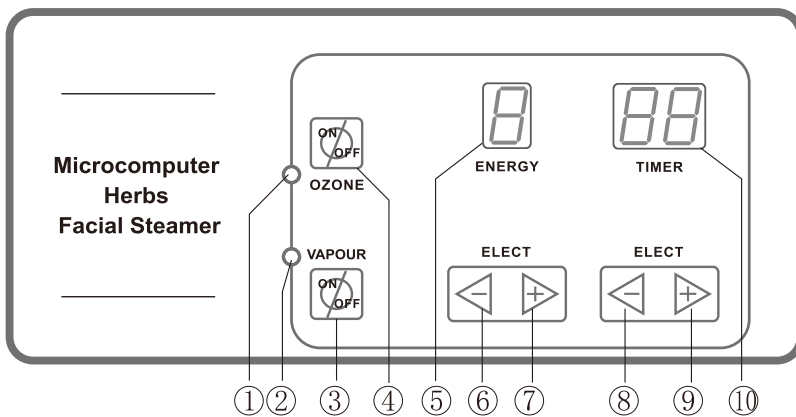


Picture 1



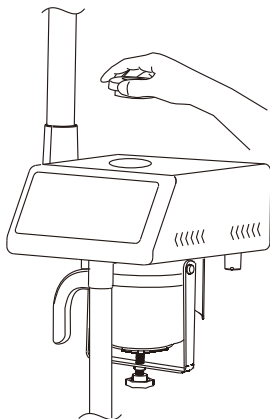
Picture 2

B88303 Digital Operation panel

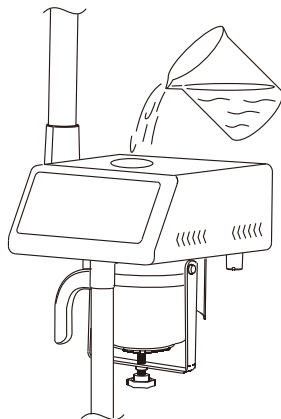


- ① Ozone indicator light
- ② Heat indicator light
- ③ Spray ON/OFF
- ④ Ozone ON/OFF
- ⑤ Energy
- ⑥ Energy decreasing button
- ⑦ Energy increasing button
- ⑧ Time decreasing button
- ⑨ Time increasing button
- ⑩ Timer

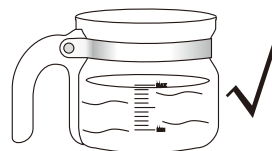
(1) Place the water cup upon the water cup tray and then tighten the screw. Next, lift the herbs cover lid up and pour distilled water into the water cup. The water level should be between the MAX and MIN indicator limit of the cup. (Please refer to Pictures 1 and 2).



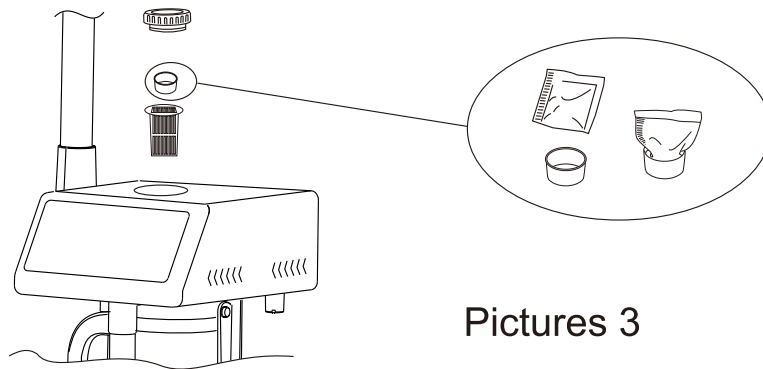
Picture 1



Picture 2

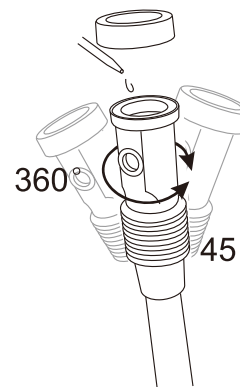


(2) For herbs treatment, please take out the filter mesh, put the herbs bag into the small steel cup, then place the filter mesh and cover lid back. Please see in the following picture No.3.



Pictures 3

(3) For fragrance treatment, please drop some essential oil in the balsam case in the spray head. The spray head can be adjusted at an appropriate angle. Please see picture No.4 to the right.



Pictures 4

(4) Connect the power plug

(5) Automatic inspection function after opening the steamer.

Press "VAPOR", the green indication light on the left will be on. The timer will indicate "15"minutes. Energy will indicate "0". The steamer can check the water level in the cup automatically; If the water level is between the MAX and MIN level, then the steamer will standby. If the water level is lower than the MIN level, the steamer will beep, and lock all buttons except for the "VAPOR" button.

(6) Five level spray output

Press "+" or "-" keys under "ENERGY" to adjust the spray output from "0-5"; "5" is the highest output. We suggest using level 5 first, then adjust output level accordingly to requirements.

(7) Time setting

Press "+" or "-" keys under "TIMER" to set time whose range is from "0-99"minutes. Default time is "15"minutes once the instrument's power is on.

(8) Turn on the 'OZONE' switch. The indicator light will come on and the ozone tube will begin to function. Steam will begin to appear and a distinct smell will indicate this is working. The steam will start to spray evenly and smoothly in which case the spray head is then ready to be adjusted to suit the position of the face being treated.

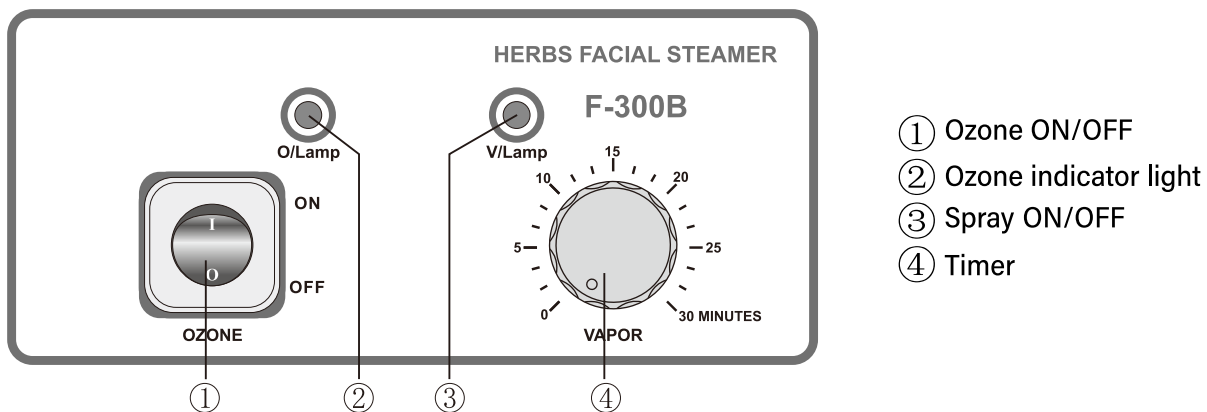
(9) During operation, when the water level drops to the minimum limit, the steamer will automatically respond immediately and turn off the heater, and lock up all key functions at the same time, except for the "VAPOR" key. This will be accompanied with an alarm using a constant buzzing sound. The product won't work until the water is added to the normal level. Once you have added water to the normal level, repress the keys to proceed with the treatment.

(10) After the preset working time is finished, the steamer will switch off the "VAPOR" key automatically and buzz 5 times. The preset resets to 15 min. The steamer is then in standby mode and won't work until it is restored.

2. Instruction for B88304 herbs steamer

Please install the steamer onto the sliding bar. (Please see in the following picture No.1 and 2)

B88304 Operation panel



(1) Place the water cup upon the water cup tray and then tighten the screw. Next, take the herbs cover lid off and pour the distilled water into the water cup. The water level should be between the MAX and MIN limit of the cup. (Please refer to picture No 1 and 2 in page 4)

(2) For herbs treatment, please take out the filter mesh, put the herbs bag into the small steel cup, then place the filter mesh and cover lid back. Please see in the following picture No.3 in page 5.

(3) For fragrance treatment, please drop some essential oil in the balsam case in the spray head. The spray head can be adjusted at an appropriate angle. Please picture No.4 below in page 5.

(4) Connect the power plug.

(5) Turn the "VAPOR" button to the right

--- "V/LAMP" turns on.

--- the steamer starts to work.

---In about 6 minutes, vapor will spray out from the nozzle.

At this moment, turn on the ozone button if needed

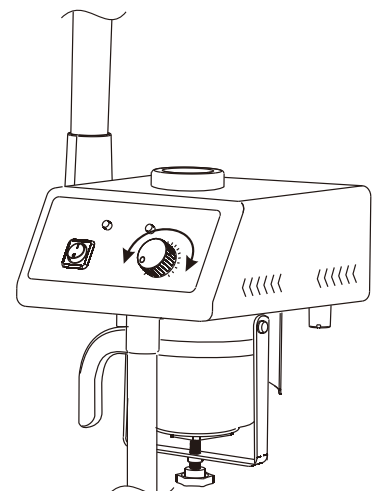
--- Set the time for working; the maximum working time can be set to 30 mins.

(6) Turn on the "OZONE" button.

---"O/LAMP" turns on.

---Steam will begin to appear and a distinct smell will indicate this is working.

The steam will start to spray evenly and smoothly in which case the spray head is then ready to be adjusted to suit the position of the face being treated.



(7) During use, the water level will drop as the vapor sprays out constantly. Once the water level reaches 'MIN' limit, turn off the 'VAPOR' button first, then turn off the power, and proceed to remove the cover lid. After the vapor has stopped coming out, then add distilled water and switch back on to resume operation.



Cautions

If you need to adjust the height of the machine, hold the sliding bar tightly with one hand and twist the adjustment thimble with the other hand. Do not hold the nozzle of the sliding bar toward your face or that of others to avoid injury should the sliding bar spring out.

The protector is used to prevent scalding by accidental touching of the stainless steel cup during use. Do not remove the protector. If the protector gets damaged, please contact the supplier for repair.

The water cup should be placed appropriately in position. Pay attention to the position of the rubber ring prior to use. This should not be rolled or folded or leakage will occur.

The water level should be between 'MAX' and 'MIN' whilst the machine is being used.

When adding water to the water cup, try to avoid spilling water over the surface of the machine's shell to avoid electrical issues.

should air or water leakage occur during use, immediately switch off the 'POWER' button.

Carefully remove the water cup and check to ensure the rubber ring is properly fixed. Adjust if required once cooled down. If this continues, refer to the supplier.

When operating the machine, ensure the nozzle is not aimed at your face or that of the client, until the vapor is spraying thinly and evenly. Keeping approx. 40cm from the client's face, you can begin treatment from the jaw and upward.

Avoid using the ozone for long periods of time to avoid harming the skin's natural properties.

Whilst using the machine, if the water level falls below 'MIN' or if there is no more water in the cup, the machine should switch off the heater and lock all key functions except the 'VAPOR' key. It will omit a constant buzzing sound until water is added to the normal level, and the key is pressed to continue operation.

The interior temperature controller will respond automatically and cut power to the machine if there is no water, so ensure to keep the water level maintained to avoid temperature variances .

Different skin may require different spraying distances. Note the following numbers as a reference guide.

Skin types (remedy suits case)	Distance	Time
Greasy skin, poor blood circulation	35-40cm	About 15 mins
Normal skin	35-40cm	10 mins
Sensitive skin, dry skin	40-50cm	5 mins
Capillary vessel expansion, UV inflammation	40cm	5 mins



Warning

Do not put greasy residue into the water container of the herbs filter mesh or this may cause water to spray out and cause subsequent issues
Do not spray vapor too closely to the client's face or this may cause scalding
Avoid using the machine under humid conditions
Avoid using the machine in direct sunlight or this may cause instability
Do not open the machine. If there are issues that cannot be resolved as per instructions, please consult the supplier
Should the main electrical line be damaged, seek professional assistance or contact the supplier

Maintenance

Clean scale from the water cup and heater elements at least once per week (Use water that contains at least 7% acetic acid or citric acid to clean the scale)
After operation, clear the equipment of any materials
Always keep an eye on the water level during operation to ensure adequate levels are maintained



Special Announcement

Ensure the power source is cut off when there is no water or water level is below 'MIN'. If this is not actioned, the user is at full responsibility of any injuries caused or malfunctions. Ensure instructions are referred to prior to use. If unsure, contact supplier for assistance
Do not allow children to operate the machine
Do not allow others to get close to the machine whilst in operation, in order to avoid accidents

Specification

B88303 and B88304

Voltage	AC 220-240V AC 100-120V 50Hz/60Hz
Wattage	800W
Packing Size	875 x 340 x 350mm
Net Weight	7.5kg

1001At Magnifier LED Lamp

Cautions


Do not use in wet environments (such as a bathroom). Clean your skin before operating.
Turn the power off after operation.

Please disconnect the product from power source if it is not being used for a long period of time. Clean the lamp head and cover it properly for storage.

Please wipe the lens with soft lens cleaning paper when cleaning the lens. Do not wipe with cloth and paper of other materials, otherwise the lens may be damaged.

Please avoid direct light projection to the eye.

If the external soft power cable is damaged, it can only be replaced by the manufacturer, service agent or personnel with similar qualification in order to avoid hazard.

WARNING  (IEC 60417-6042): The light source can only be replaced by the manufacturer, service agent or personnel with similar qualification.

2. Instructions

This device mainly detects changes in the human skin surface by examining the various minor changes in the skin surface. Providing further effectiveness when operating beauty and care treatments.

The magnifying function of the product can also be used for beauty treatments such as eyebrow and lips tattooing and eyelash grafting, etc.

The magnifying lens can be used independently with the supporting stand or in combination with other devices.

The magnifying lamp uses LED light source, energy saving and eye protecting, the brightness of the lamp is gentle and comfortable, users will not feel dizzy after using.

With innovative design and elegant profile, white glass with diopter of 5 is used to eliminate phenomenon of distortion, providing better visual effect.

3. Technical Specifications

(1) Input power frequency and voltage as below:

Rated Voltage (V)	AC 100-240V
Rated Frequency (Hz)	50Hz/60Hz

(2) Rated power and illumination: (illumination tested at a distance of 20cm) 6.0W, 2500 LUX

(3) Diopter of Len: 5D

(4) Working environment: Temperature -20°C ~ +45°C, relative humidity 30%~90%

(5) Storage environment: Temperature -20°C ~ +60°C, relative humidity 30%~80%

(6) Net weight: 7.8kg

(7) Gross weight: 9.1kg

(8) Package dimensions: 840mm x 300mm x 155mm

4. Directions of Use

Plug in the cold light lamp to a power source.

Turn the power switch to ON, aim the magnifying lens at the skin surface that needs to be examined or undergo beauty treatment.

Adjust the distance between the lamp and skin to achieve the clearest status (the optimum visual range: $\leq 10\text{cm}$)

Examine the skin or begin beauty treatment. Brightness can be adjusted during operation.



Do not dispose of old or defective appliances in domestic garbage;
this should only be done through public collection points.

▲ Please check the product specification before use. This manual is for reference only. Specifications are subject to change without prior notice.