



## Towel Warmer

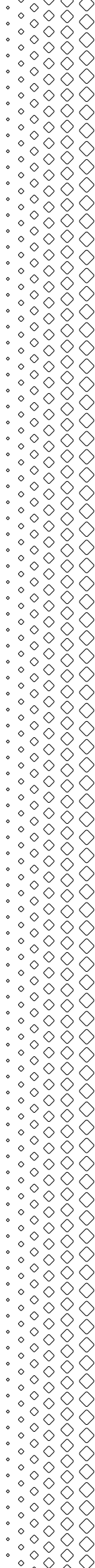
MODEL B88001 Towel Warmer with Ozone - 7L Capacity

MODEL B88003 Towel Warmer with Ozone Lamp - 18L Capacity

User Manual

Please read this user manual carefully before using the product.

[www.barneyssalonsupplies.com.au](http://www.barneyssalonsupplies.com.au) | 1800 676 522



## 1. About This Manual

This manual should only be used in reference of the operation of this particular model. If the manual is used for the other purposes, or instructions not followed correctly, Barneys Salon Supplies will not undertake any consequences or responsibility. All information in this manual shall be protected by copyright and shall not be copied and/or translated in any part of this specification without consent of the manufacturer.

## 2. Safety Guidance

To ensure your correct and safe use of this product. please read all the instructions before use! Please follow all safety precautions!



### Warning!

Indicates a potential dangerous situation that, if not avoided, could result in serious injury.

- Do not use this product under the following conditions: when the power cord or plug is damaged or gets hot; when the plug in the power socket becomes loose.
- Do not use wet hands to plug and unplug power cord connectors and use this product.
- Please make sure that the working voltage of this product conforms to its rated voltage.
- Before use, make sure that the power plug and the power cord connector are fully plugged in, so as not to cause danger.
- When you are not using this product, please turn off the power and pull out the plug.
- Please regularly clean the dust accumulated on the power plug and power cord connector to avoid failure of insulation caused by moisture, dust and other factors.
- Be sure to use the special power cord assembly for this product. Do not use the power cord assembly on or from any other appliance.
- Do not wrap the power cord around the product, otherwise it may distort and malfunction the power cord.
- Keep out of reach of children. Do not allow children to use this product.
- Please do not modify, disassemble or repair this product by yourself. If you need to repair it, please contact the manufacturer, agent or professional maintenance personnel to check and repair it, so as not to cause danger.
- Please contact distributor, service center or related personal with appropriate skill and experience for repairing if the plug is damaged, in case of any danger.
- If the power cord, plug, or door glass is damaged, please contact the manufacturer, agent or a person with relevant skills to replace it to avoid danger.
- This product must be used in accordance with the inherent purpose stated in this manual, any accessories not recommended by the manufacturer must not be used.
- This appliance is intended only for warming damp towels.
- If the supply cord is damaged, it must be replaced by the manufacturer, its service agent or similarly qualified persons in order to avoid a hazard.



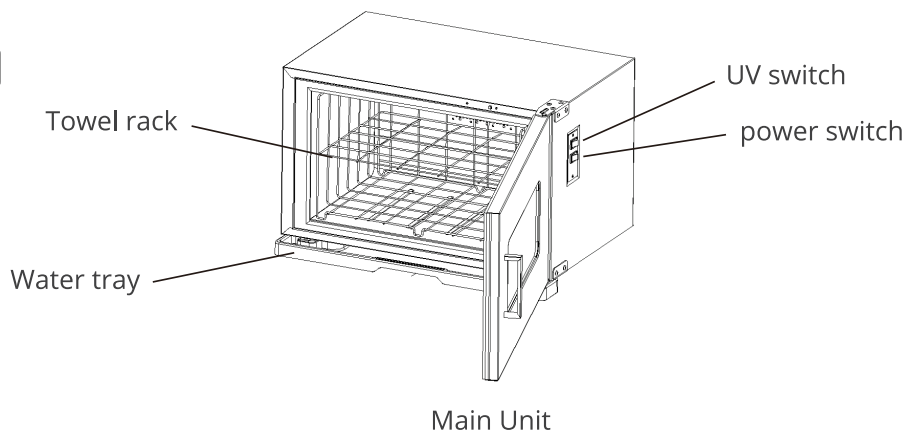
### Attention!

Represents a potentially dangerous situation which, if not avoided, can result in injury.

- Operators should pay special attention to the safety of personnel and equipment whilst using this product.
- If the product presents abnormal sounds or functions, please stop using it immediately and contact the manufacturer or dealer for guidance. This product and related accessories should be handled carefully. Please dispose of the packaging immediately after unpacking, to avoid accidents such as asphyxiation of infants, and keep it out of reach of children .

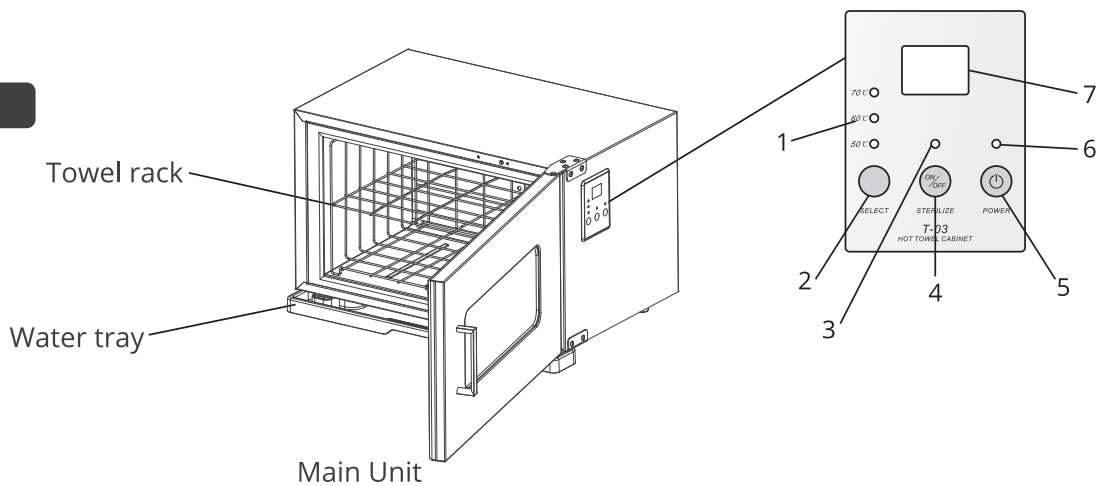
## 2. Components

**B88001**



Main Unit

**B88003**



Main Unit

1. Thermal insulation gear indicator:  
Light on: the set temperature is maintained after sterilisation is completed;  
Light off: no heat preservation after sterilisation.
2. Heat preservation switch: Select a different heat preservation temperature.
3. Working status indicator:  
Light off: not working;  
Red light: sterilisation working;  
Green light: sterilisation completed.
4. Disinfection switch: turn on heating function and ultraviolet lamp.
5. Power switch: controls the power supply of the main unit.
6. Power indicator: light on after the power supply is started.
7. Display screen: real-time temperature in the cabinet .

### 3. Product Parameters

Product model	B88001	B88003
Rated voltage/Frequency	AC 100-120V or AC 220-240V,50/60Hz	
Power	164W(AC 100-120V) 164W (AC 220-24eV)	480W(AC 100-120V) 480W(AC 220-24eV)
Inner capacity	7L	18L
Product size	33 x 27.6 x 22.6cm	48 x 32.5 x 31.5cm
Package size	37.5 x 31 x 27cm	56 x 42 x 37.5cm
Package contents	Main Unit x 1	
	Towel rack x 1	
	Water tray x 1	

### 4. Operations Cautions



#### Warning!

- Do not put acidic or alkaline substances in this product.
- Do not move this product when it is live or working.
- Please use caution when opening the cabinet door to prevent scalding.
- Do not use or store this product in an environment with acidic gas or humid air to avoid malfunction and danger.
- Do not use these product (such as alcohol, thinner, gasoline, nail polish remover, spray, etc.) in or near the towel warmer.



#### Attention!

- When the product is working for a long time, there is a significant temperature rise on the shell, which is a normal phenomenon.
- When using the UV function, the working time should be controlled within 1 to 2 hours, otherwise it will cause damage to the item due to being placed under the purple line for a long time.
- After each use of this product, you must turn off the power switch, take out the towel rack, and dry the water on the inner tank and door frame with a rag. If you do not use it for a long time, please unplug the power plug.
- Do not use if the glass is cracked or broken. Please turn off the power immediately and contact the manufacturer or agent for replacement. This glass is made through a special process, which can block ultraviolet rays and cannot be replaced by ordinary glass.
- Do not look directly into the lamp of the ultraviolet lamp tube, as the light from the lamp tube will cause damage to your eyes.

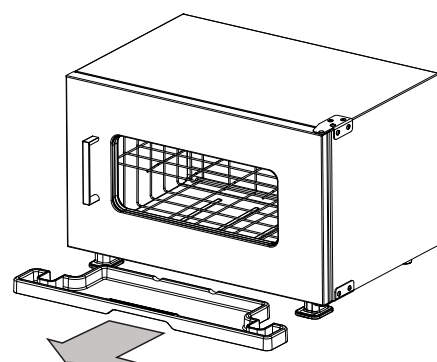
## 5. Operation Method

### Operation Procedure B88001

1. Plug in the power cord.
2. Open the cabinet and place the wet towels neatly on the towel rack; close it and check whether the sealed magnetic strip between the door frame and the cabinet body is well sealed. After everything is in order, you can turn on the "POWER" button on the right side of the towel cabinet to start the heating device, and the warmer will start to heat up. When the temperature rises to 70 degrees, it will enter a constant temperature state; you can activate the "OZONE" ultraviolet rays according to your needs, and the towel cabinet will light up at this time.
3. After each use, remove the drip tray by pulling out gently, and only when the warmer has cooled down. Process to clean and replace the drip tray when completely dry.

### Operation Procedure B88003

1. Plug in the power cord .
2. Open the cabinet door, and place the wet towels neatly on the towel tray; Close the cabinet door and check whether the sealing magnetic strip between the door frame and the cabinet is in good contact. When everything is in order, press the power switch on the panel.
3. Press the disinfection switch to turn on, when the indicator light turns red, the heating function is started. When the purple-blue light can be seen in the towel cabinet, the ultraviolet ozone generator starts to work. The ultraviolet ozone generator will be automatically extinguished after working 40 minutes, and the ozone in the cabinet will continue to be sterilised for another 20 minutes. When the indicator light turns green, which means the disinfection is finished, you can take out the towel. (Note: If the cabinet door is not closed properly and the disinfection switch is pressed, the warmer buzzer will prompt twice and the disinfection will not start; If the cabinet door is opened by mistake during the process of warmer disinfection, the disinfection function will be automatically interrupted, the ultraviolet light will be off, and there will be a warning beep; In this case, you need to close the cabinet door again and the disinfection program will automatically restart for 60 minutes, no need to press the button again.
4. Heat preservation mode: press the heat preservation switch to select different heat preservation temperature (70°C, 60°C, 50 °c and off). When in heat preservation, once the temperature in the cavity reaches the set disinfection temperature of 80°C, it will enter into the heat preservation state. When the temperature is higher than the set value, the heating function will automatically stop, and when the temperature is lower than the set value, the heating function will start, so that the towel in the cavity will reach the constant temperature state.  
Note : Disinfection mode and heat preservation mode can be opened separately or simultaneously. The display screen shows the real-time temperature in the cavity.
5. After each use, remove the drip tray by pulling out gently, and only when the warmer has cooled down. Process to clean and replace the drip tray when completely dry.



## 6. Instrument Maintenance

- After each use of this product, you must turn off the power switch, take out the towel rack, and dry the water on the inner tank and tray with a rag.
- Please unplug the power plug if not used for a long time.

## 7. Troubleshooting

### Model B88001

Fault Reference	Reason	Solution
The main machine does not work or crashes.	1. No power.	1. Turn on the power.
	2. The power cord is not properly inserted or connected.	2. Plug or connect the power cord properly.
	3. Poor contact or burnt out of the circuit.	3. Contact the repair center or dealer to troubleshoot
UV light bulb doesn't light up and inner case doesn't heat.	1. The UV OZONE switch is not turned on.	1. Toggle the OZONE button to turn on the UV function
	2. The ultraviolet light tube burned out	2. Replace the UV light tube
	3. Switch inside door doesn't work	3. Adjust the screw or replace switch

### Model B88003

Fault Reference	Troubleshooting
E1: The cabinet door is opened during sterilisation	The problem can be solved by closing the door and automatically restart the sterilisation.
E2: Internal temperature probe is short-circuited	Disconnect the power and restart. If can't solve the problem, please contact the distributor or manufacturer for maintenance.
E3: Open circuit of internal temperature probe	Disconnect the power and restart. If can't solve the problem, please contact the distributor or manufacturer for maintenance.
E4: Cavity temperature probe is short-circuited	Disconnect the power and restart. If can't solve the problem, please contact the distributor or manufacturer for maintenance.
E5: Open circuit of cavity temperature probe	Disconnect the power and restart. If can't solve the problem, please contact the distributor or manufacturer for maintenance.
E6: Excessive internal temperature	Power off and cool down for 60 minutes. If the problem repeats, please contact the manufacturer for maintenance.
Press the power switch without response	Check if power plug is connected. If the fuse is damaged or there is no response please contact the manufacturer for repair.
Press the disinfection button and the buzzer will sound twice	Check if the cabinet door is closed. If problem repeats, please contact the dealer or manufacturer for maintenance.
Press the disinfection button and the buzzer will sound twice	Replace the UV lamp tube. If the problem repeats, please contact the dealer or manufacturer for maintenance.

If problem is still not solved after troubleshooting, please contact maintenance center or supplier.



Do not dispose of old or defective appliances in domestic garbage;  
this should only be done through public collection points.

▲ Please check the product specification before use. This manual is for  
reference only. Specifications are subject to change without prior notice.