



Belmont Adjustable Beauty Table

MODEL B82274

User Manual

Please read this user manual carefully before using the product.

www.barneyssalonsupplies.com.au | 1800 676 522

1. About This Manual

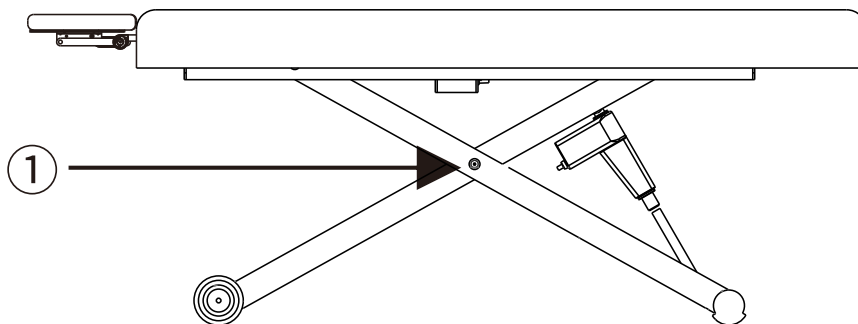
This manual should only be used in reference of the operation of this particular model. If the manual is used for the other purposes, or instructions not followed correctly, Barneys Salon Supplies will not undertake any consequences or responsibility. All information in this manual shall be protected by copyright and shall not be copied and/or translated in any part of this specification without consent of the manufacturer.

2. Warning

- Do not stand on the product
- Do not allow children to play with the product
- Do not place equipment in damp places such as bathrooms, or expose to direct sunlight
- Do not use this product on an unstable surface

3. Precautions

- Read this manually carefully before installation, operation and/or adjustment
- This product should be used by an experienced person who is familiar with the product structure and performance.
- The product must be used only for its intended use
- Please operate product strictly in accordance with the warning labels accompanying the product
- Do not overload the products, and ensure that the product has been correctly and safely installed
- Tighten bolts and nuts regularly to avoid product failure and to keep product secure
- Do not operate this product if faulty. Should the product appear to behave unusually, cease use and inspect immediately. Do not use the product again until issues have been resolved
- This electric bed is equipped with a three-wire power cord. The power cord must be plugged into a three-hole outlet which is properly installed and grounded.
- Whilst controlling the lifting of the whole bed, the button must be pressed continuously until the bed is in a suitable position.
- Regular maintenance and troubleshooting should be processed by trained professional
- After each treatment, remove dust or stains using a neutral cleaning solution
- When adjusting parts of the equipment for positioning, please keep your hands, feet and head clear from the areas indicated as shown in the image below



4. Installation

Place the product in a safe location, according to the overall layout of the treatment room. Keep the product in a clean, dry and cool environment

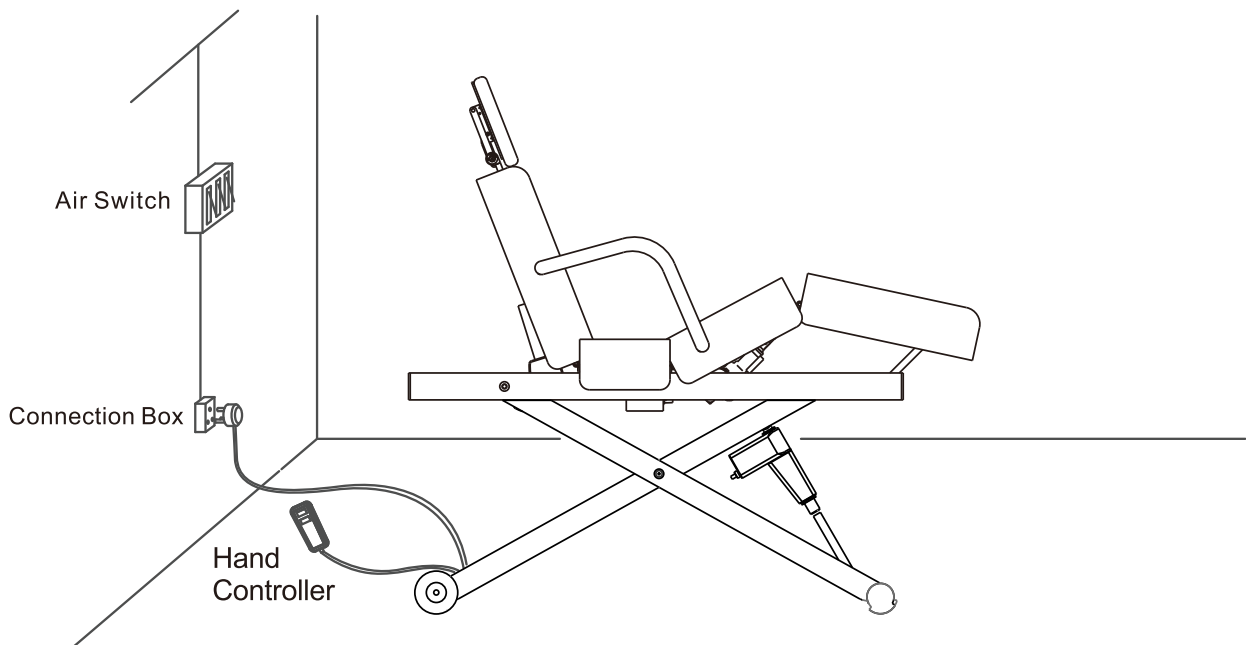
Open the packing carton and remove all parts prior to installation

Ensure all parts are included and the packaging carton is checked thoroughly prior to disposing

Installation:

Place the product in the proper position. Please ensure the product is placed on a firm and flat surface for stability

Correctly connect the power plug to a compatible power supply

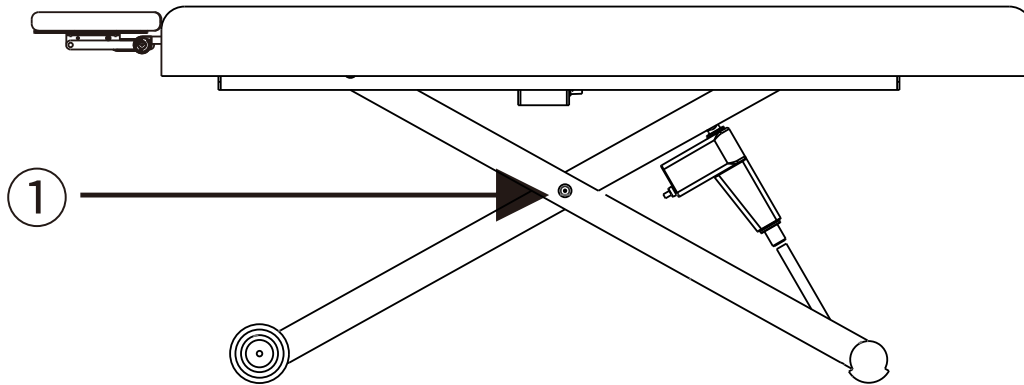


Note: The product B2274 is a single motor beauty bed and is height adjustable only. The above image is for illustration purposes only.

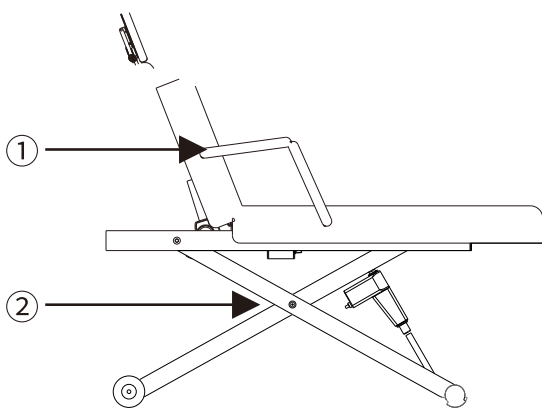
5. Structure of Product

This product consists of a control box, motor, hardware and upholstery material
This beauty bed includes height adjustment of the whole bed only. See B82274 image below

B82274

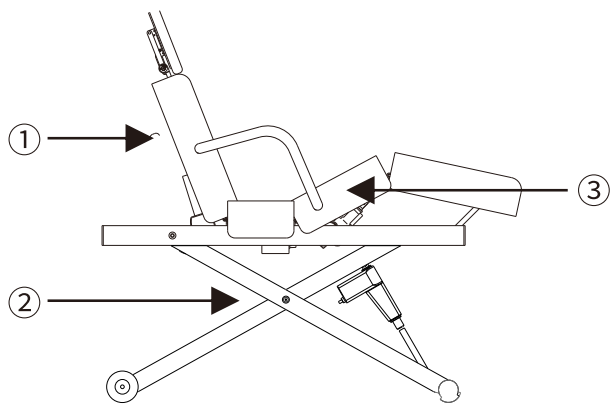


① Lifting adjustment of the whole bed



- ① Angle adjustment of the backrest
- ② Lifting adjustment of the whole bed

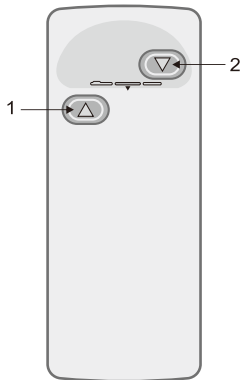
Not available in Australia



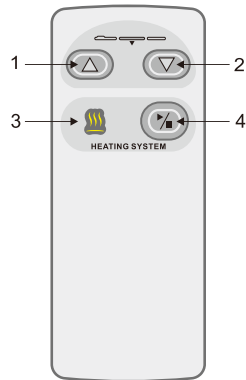
- ① Angle adjustment of the backrest
- ② Lifting adjustment of the whole bed
- ③ Angle adjustment of the seat

Not available in Australia

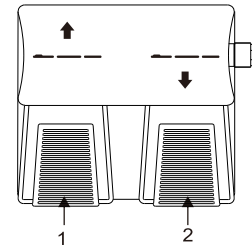
6. Operation Instruction



Standard Configuration
(Hand Controller)
Included



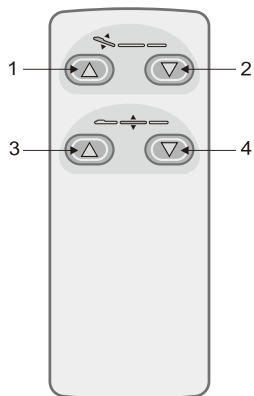
2. Optional Configuration
(Hand Controller)
Not Available



3. Optional Configuration
(Foot Controller)
Optional Extra

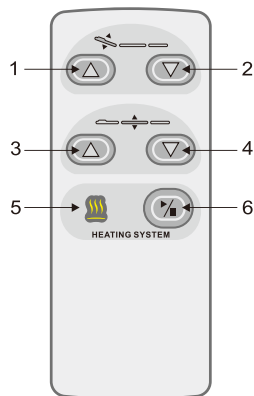
No.	Description	Operation
1	Whole bed moves up	Bed goes up smoothly by pressing the button
2	Whole bed moves down	Bed goes down smoothly by pressing the button

Standard Configuration
(Hand Controller)



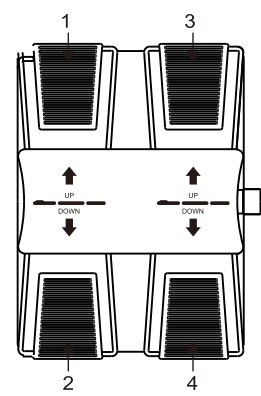
Not available in Australia

2. Optional Configuration
(Hand Controller)



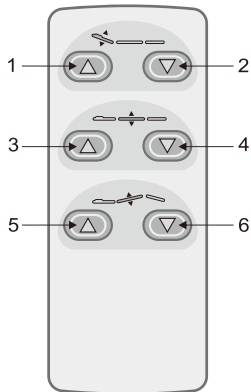
Not available in Australia

3. Optional Configuration
(Foot Controller)



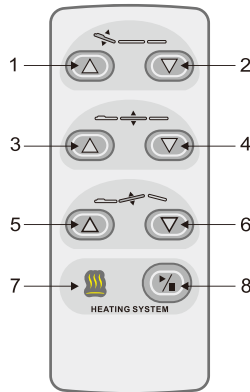
Not available in Australia

Standard Configuration
(Hand Controller)



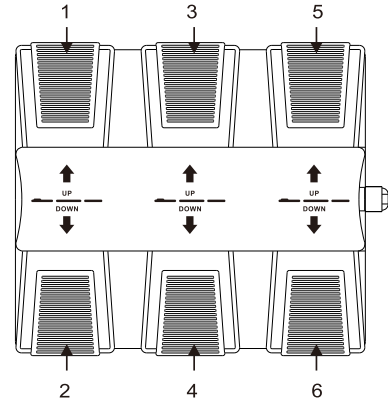
Not available in Australia

2. Optional Configuration
(Hand Controller)



Not available in Australia

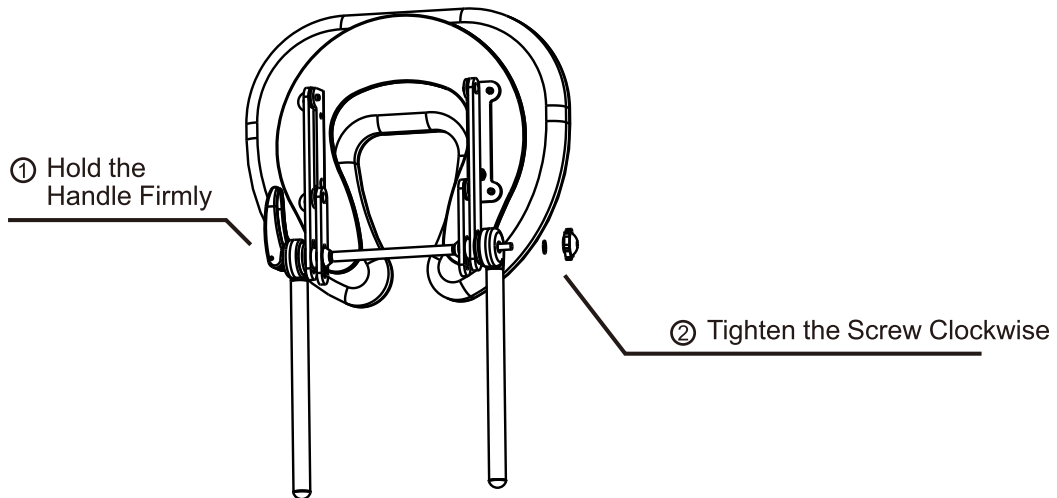
3. Optional Configuration
(Foot Controller)



Not available in Australia

7. Operation Cautions

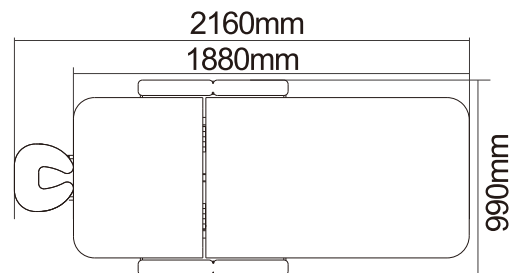
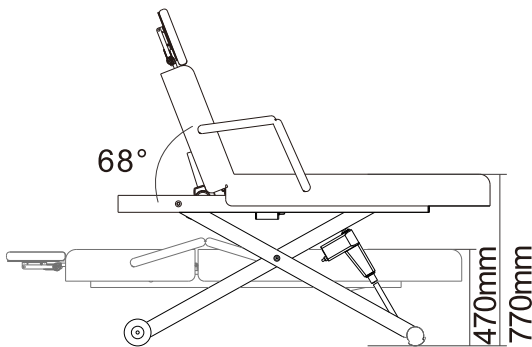
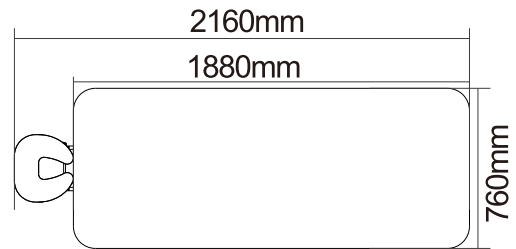
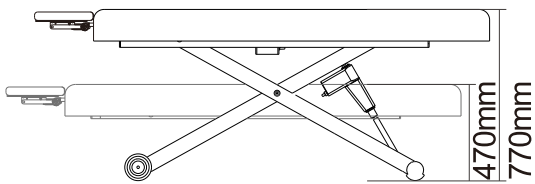
If you find the headrest support rod is loose, please follow the below steps to fix



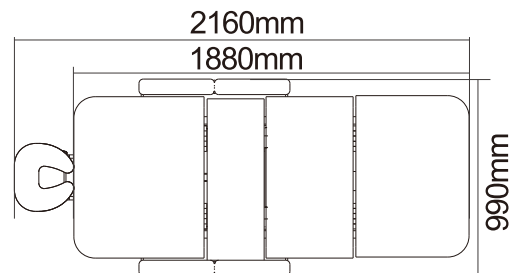
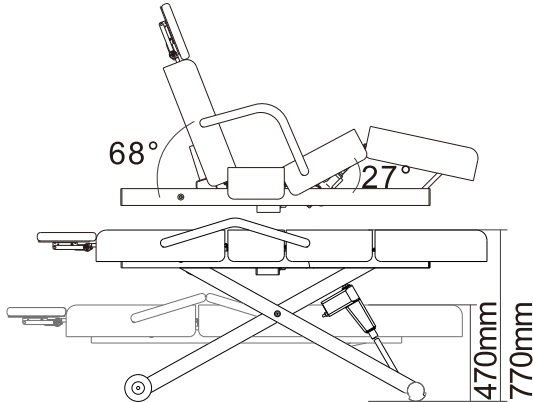
8. Operation Instruction

Power	AC100-120V or AC220-240V or AC100-240V, 50/50Hz
Maximum Power	300W
Environment Temperature	0°C ~ +40°C
Relative Humidity	30% ~ 90%
Lifting Rated Load	175kg

B82274



Not available in Australia



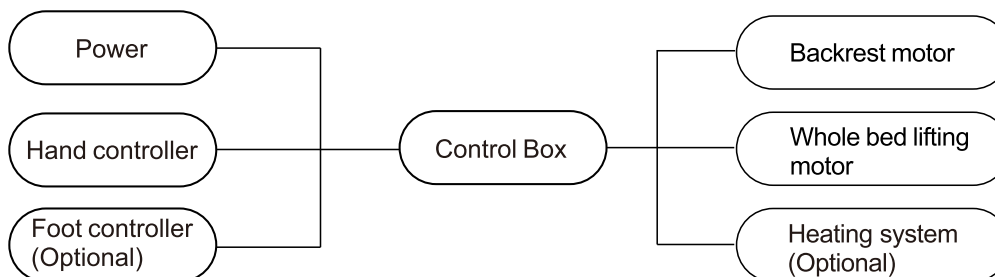
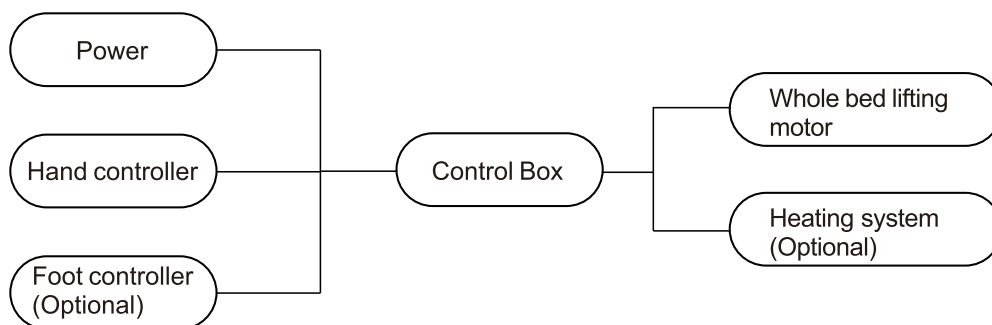
Not available in Australia

9. Maintenance

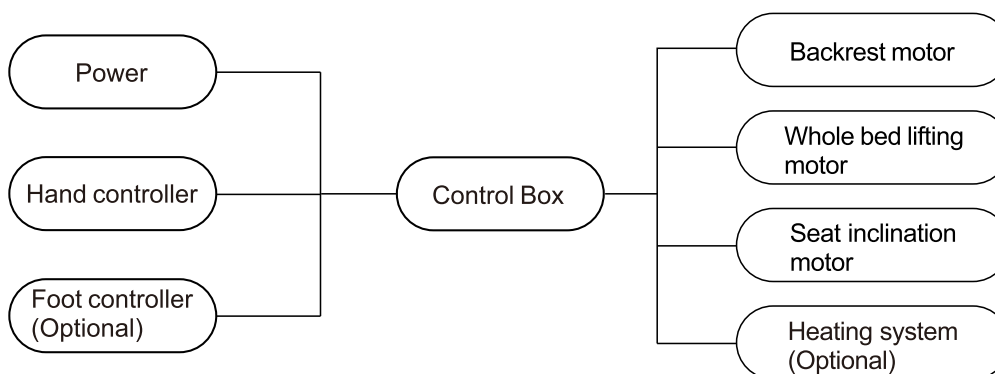
After every treatment, use a neutral solution to clean dust and stains
Avoid using cleaning solutions such as alcohol, acid or alkaline solutions that could do damage to the material. This is to prevent the lifetime of the components from being shortened
Please lubricate the moving parts regularly (at least once a year)

10. Circuit System Connection Diagram

B82274



Not available in Australia



Not available in Australia

11. Troubleshooting

Fault Reference	Reason	Solution
Cannot move up or down normally	1. The power cord is not connected	1. Connect power cord is plugged in
	2. Poor quality of hand/foot controller	2. Replace hand/foot controller
	3. Poor quality of control box	3. Contact maintenance centre or supplier for troubleshooting
	4. Motor is damaged	
Abnormal sound	1. Rotating parts require lubricating oil	1. Add lubricating oil
	1. Rotating positions (such as hinge, POM sets, gas lift) are short of lubricating oil	1. Add lubricating oil

If problems continue to persist after following above operations, please contact a qualified maintenance centre or your supplier to resolve.



Do not dispose of old or defective appliances in domestic garbage; this should only be done through public collection points.

▲ Please check the product specification before use. This manual is for reference only. Specifications are subject to change without prior notice.