



London Electric Adjustable Beauty Bed

MODEL B82250

User Manual

Please read this user manual carefully before using the product.

www.barneyssalonsupplies.com.au | 1800 676 522



1. About This Manual

This manual should only be used in reference of the operation of this particular model. If the manual is used for other purposes, or instructions not followed correctly, Barneys Salon Supplies will not undertake any consequences or responsibility.

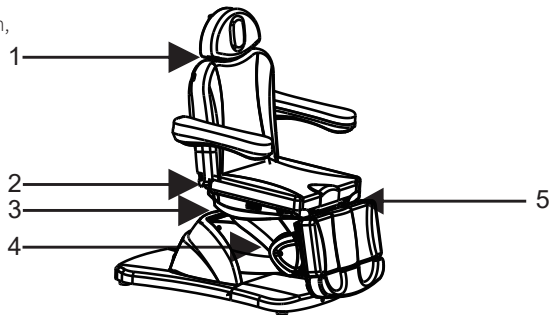
All information in this manual shall be protected by copyright and shall not be copied and translated in any part of this specification without the written consent of the manufacturer.

2. Warning

- Do not stand on the product.
- Do not allow children play with the product.
- Do not place the equipment in damp places such as bathroom or expose to direct sunlight.
- Do not use product on an unstable surface.

3. Precautions

- Read this manual carefully before installation, operation and adjustment.
- This product should be used by an experienced person who is familiar with the product structure and performance.
- The operator must use the product only for its intended use.
- Please operate the product strictly in accordance with the warning label stamped on it.
- Do not overload the product and ensure that the product has been correctly and safely installed.
- Tighten bolts and nuts regularly to avoid product failure and to keep product secure.
- Do not operate this product if faulty. Should the product appear to operate unusually, cease using the product and inspect immediately. Do not use the product until issues have been resolved.
- Regular maintenance and troubleshooting should be processed by trained professionals.
- After every treatment, clear the dust or stains on the product using a neutral cleaning solution.
- When adjusting parts of the equipment for positioning, please keep your hands, feet and head clear from the areas indicated as shown in the image below.
- This product is equipped with a three-wire power cord. The power cord must be plugged into a three-hole outlet which is properly installed and grounded. This is not only to prevent the risk of electric shock, but ensure product can work properly.
- Whilst controlling lifting mechanism, ensure the button is pressed continuously until the product is in maximum position.
- Please pay attention to the continuous working times. Recommendations should be Maximum 2 Minutes ON; 18 Minutes OFF, when operating the motor. Recommended maximum continuous operating time should not exceed 2 Minutes.
- Whilst adjusting the backrest, seat cushion, or any section of the product, ensure to keep hands and feet clear. (See image).



4. Applicable Range

These electrical beds are suitable for beauty, massage and annicure treatments.

5. Installation

1. Place the product in a safe location, according to the overall layout of the treatment room.
Keep it in a clean, dry and cool environment.

2. Open the packing carton and remove all parts prior to installation.

3. Ensure all parts are included and the packing carton is checked thoroughly prior to disposing.

4. Installation:

Place the product in the proper position. Ensure the product is placed on a firm and flat surface for stability. Please note that it is unnecessary to install any extra screws to fasten the bed, as stability performance has been taken into consideration.

If the product seems to be unstable due to an uneven surface, please adjust the four feet and nuts by using a hexagon open-end wrench to fasten on to the bottom panel.

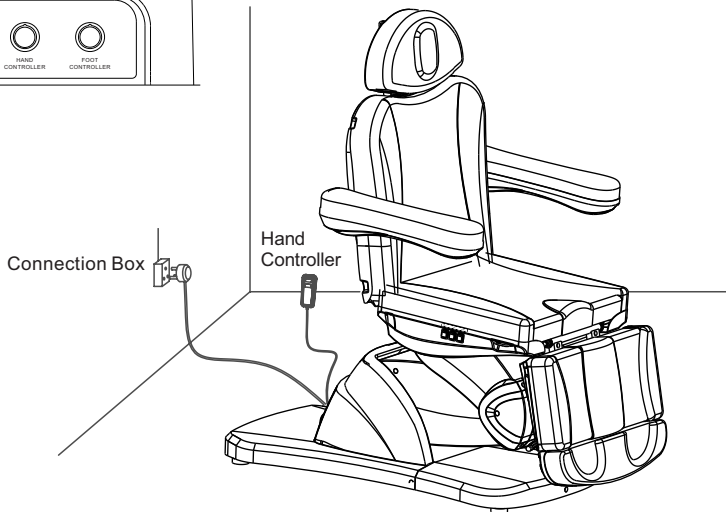
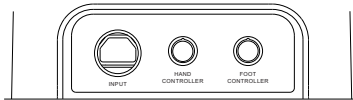
5. Power SUpply and controller connections:

Connect the power supply, hand controller and foot controller to the bed. Voltage and frequency input should be 110-120V/60Hz ' 220-240V/50Hz.

Input ports: INPUT (for power supply), HAND CONTROLLER, FOOT CONTROLLER (See image below).

6. Connect the plug with the power supply (As per below image).

5.



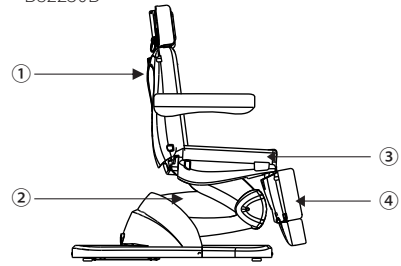
6.

6. Structure of Electric Beauty Bed

This beauty bed consists of a control box, motor, hardware, plastic parts and material. The control box will control the operation of the motor and hand controller.

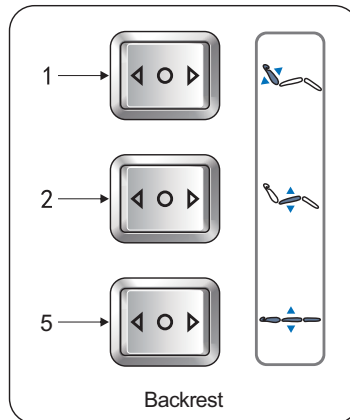
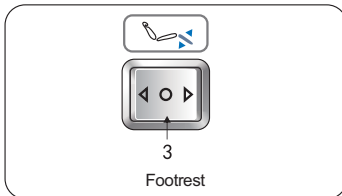
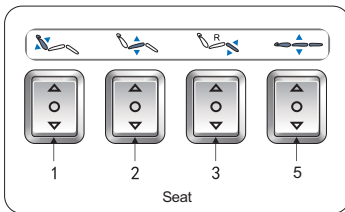
This beauty bed includes angle adjustment of the backrest, seat cushion, footrest and lifting adjustment of the whole bed. (Details outlined in image).

• B82250B



- ① angle adjustment of the backrest
- ② lifting adjustment of the whole bed
- ③ angle adjustment of the seat
- ④ angle adjustment of the footrest

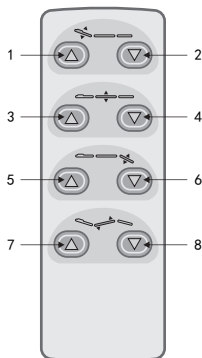
• B82250B Standard Configuration (Button Panel)



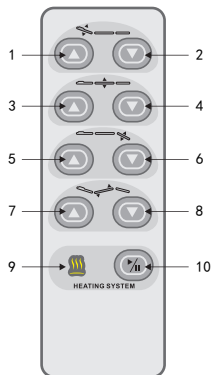
No.	Description	Operation
1	Button for Backrest Adjustment	Press button up (down), backrest moves up (down), angle increases (decreases) at a constant speed.
2	Button for Seat Adjustment	Press button up (down), seat inclines backward (moves back to horizontal position).
3	Button for Footrest Adjustment (right)	Press button up (down), footrest moves up (down), angle decreases (increases) at a constant speed.
4	Button for Footrest Adjustment (left)	Press button up (down), footrest moves up (down), angle decreases (increases) at a constant speed.
5	Button for Height Control	Press button up (down), seat moves up (down), height increases (decreases) at a constant speed.

- B82250B

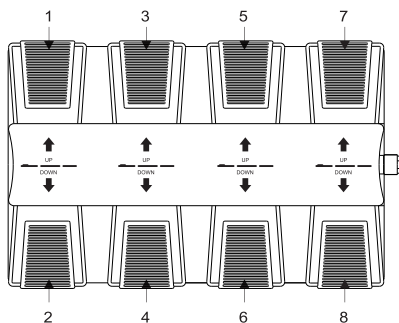
1. Optional Extra Configuration (Hand Controller)



2. Optional Extra Configuration (Hand Controller)



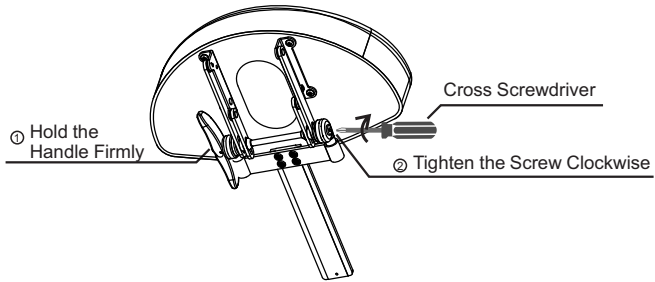
3. Optional Extra Configuration (Foot Controller)



No.	Description	Operation
1	Backrest moves up	Backrest goes up smoothly by pressing the button.
2	Backrest moves down	Backrest goes down smoothly by pressing the button.
3	Whole bed moves up	The bed goes up smoothly by pressing the button.
4	Whole bed moves down	The bed goes down smoothly by pressing the button.
5	Footrest moves up	Press the button, footrest will move up, its angle will be reduced to minimum.
6	Footrest moves down	Press the button, footrest will move down, its angle will be moved to maximum.
7	Seat cushion up	Seat inclining smoothly by pressing the button.
8	Seat cushion down	Seat goes flat smoothly by pressing the button.
9	Indicator light of heating function (Option)	Pressing the button, the light is on, the heating function works; pressing the button again, the light is off, the heating function stops.
10	Heating (Option)	

7. Operation Cautions

- If you find the headrest support rod has become loose, please follow the following steps to fix in place.



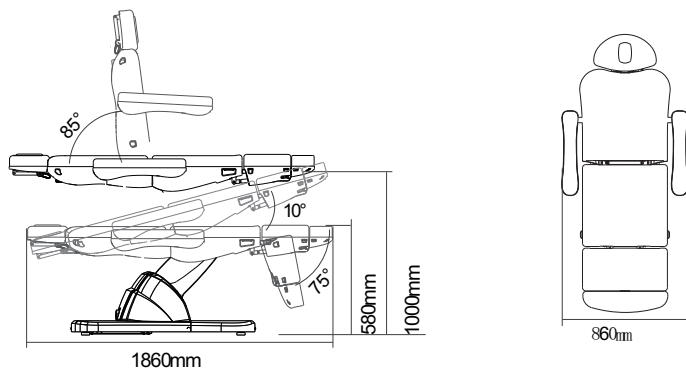
This product graphic is only for display, the specific product structure please refer to the actual product.

7. Technical Parameters

Power	AC 100-120V 或 AC 220-240V 或 AC 100-240V, 50/60Hz
Maximum Power	300W
Environment Temperature	0°C~+40°C
Relative Humidity	30%~90%
Lifting Rated Load	Up to 175 kg
Package Size	1470×660×7200mm (2250/2250B) 1420×660×7200mm (2250A/2250C)
Net Weight	83kg(2250) / 90.5kg(2250A) / 84.5kg(2250B) / 93.5kg(2250C)
Gross Weight	98kg(2250) / 105.5kg(2250A) / 99.5kg(2250B) / 108.5kg(2250C)

2250 / 2250B

- B82250B



8. Maintenance

1. After every treatment, use a neutral solution to clean dust and stains.

Avoid using cleaning solutions such as alcohol, acid or alkaline solutions that could damage the surface. This is to prevent the lifetime of the components from being shortened.

2. Please lubricate the moving parts regularly (at least once a year).

9. Troubleshooting

Fault Reference	Reason	Solution
Bed cannot move up or down properly.	1. The power cord is unconnected or not plugged in properly.	1. Connect the power cord securely.
	2. Poor function experienced whilst using the hand or foot controller.	2. Replace the hand or foot controller.
	3. Poor function experienced whilst using the rocker switch.	3. Contact maintenance center or supplier for troubleshooting.
	4. Poor function experienced whilst using the control box.	
	5. Damaged or ruptured motor tail.	
	6. Damaged motor performance.	
Abnormal Sound	1. The rotating parts are short on lubricating oil.	1. Add lubricating oil.
	2. The rotating positions are short on lubricating oil. (Hinge, POM sets).	2. Add lubricating oil.
	3. Motor operation problems.	3. Contact supplier.

If problems continue to persist after following above operations, please contact a qualified maintenance center or your supplier to resolve.



Do not dispose of old or defective appliances in domestic garbage; this should only be done through public collection points.

▲ Please check the product specification before use. This manual is for reference only. Specifications are subject to change without prior notice.