



York Adjustable Beauty Bed

MODEL B82234

User Manual

Please read this user manual carefully before using the product.

www.barneyssalonsupplies.com.au | 1800 676 522

1. About This Manual

This manual should only be used in reference of the operation of this particular model. If the manual is used for the other purposes, or instructions not followed correctly, Barneys Salon Supplies will not undertake any consequences or responsibility. All information in this manual shall be protected by copyright and shall not be copied and/or translated in any part of this specification without consent of the manufacturer.

2. Warning

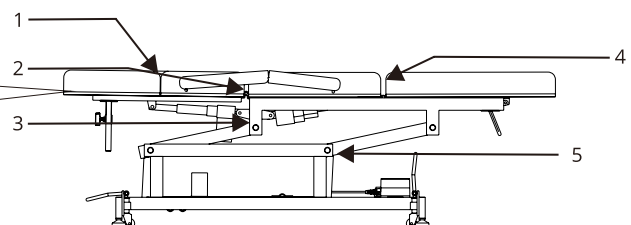
- Do not stand on the product
- Do not allow children to play with the product
- Do not place equipment in damp places such as bathrooms, or expose to direct sunlight
- Do not use this product on an unstable surface

3. Precautions

- Read this manual carefully before installation, operation and/or adjustment
- This product should be used by an experienced person who is familiar with the product structure and performance
- The product must be used only for its intended use
- Please operate product strictly in accordance with the warning labels accompanying the product
- Do not overload the products, and ensure that the product has been correctly and safely installed
- Tighten bolts and nuts regularly to avoid product failure and to keep product secure
- Do not operate this product if faulty. Should the product appear to behave unusually, cease use and inspect immediately. Do not use the product again until issues have been resolved
- This electric bed is equipped with a three-wire power cord. The power cord must be plugged into a three-hole outlet which is properly installed and grounded
- Whilst controlling the lifting of the whole bed, the button must be pressed continuously until the bed is in a suitable position
- Regular maintenance and troubleshooting should be processed by trained professional
- After each treatment, remove dust or stains using a neutral cleaning solution
- When adjusting parts of the equipment for positioning, please keep your hands, feet and head clear from the areas indicated as shown in the image below



Warning: Please do not sit on the backrest position, or jump on the backrest, to avoid the risk of injury and/or damaging the product.



4. Installation

Place the product in a safe location, according to the overall layout of the treatment room. Keep the product in a clean, dry and cool environment

Open the packing carton and remove all parts prior to installation

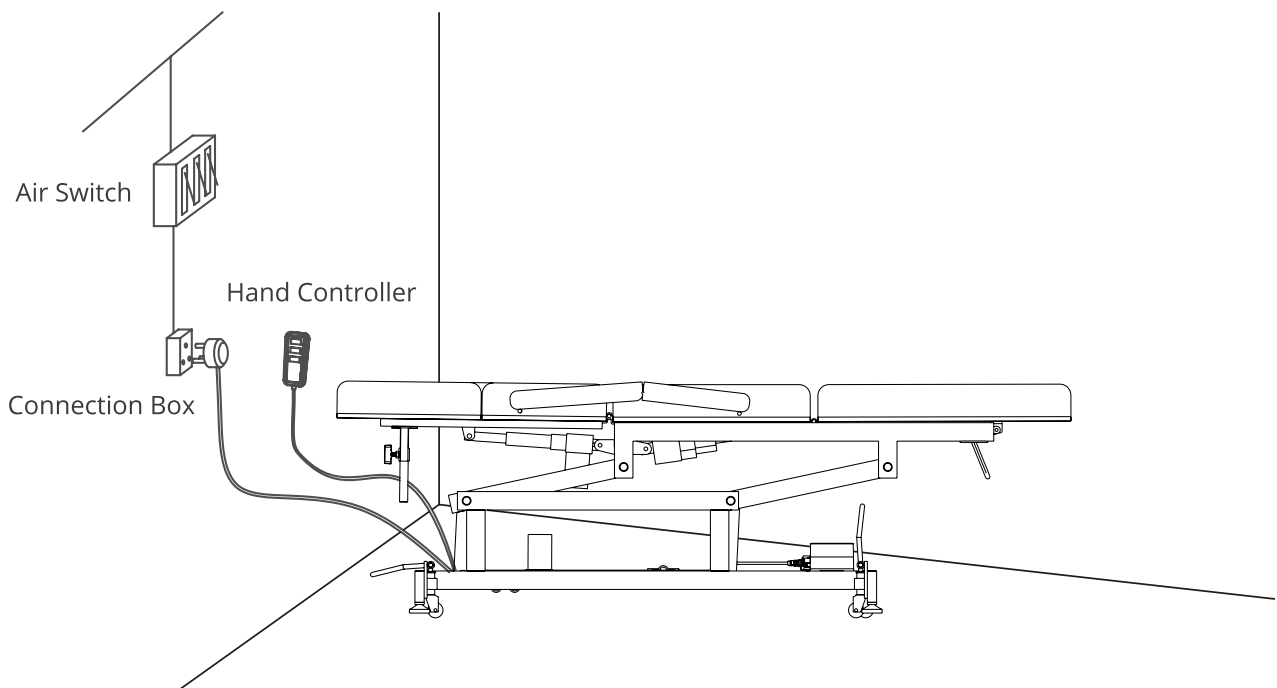
Ensure all parts are included and the packaging carton is checked thoroughly prior to disposing

Installation:

Place the product in the proper position. Please ensure the product is placed on a firm and flat surface for stability

If the product seems to be unstable due to an uneven surface, please adjust the feet and nuts by using a hexagon open-end wrench to fasten on to the bottom panel

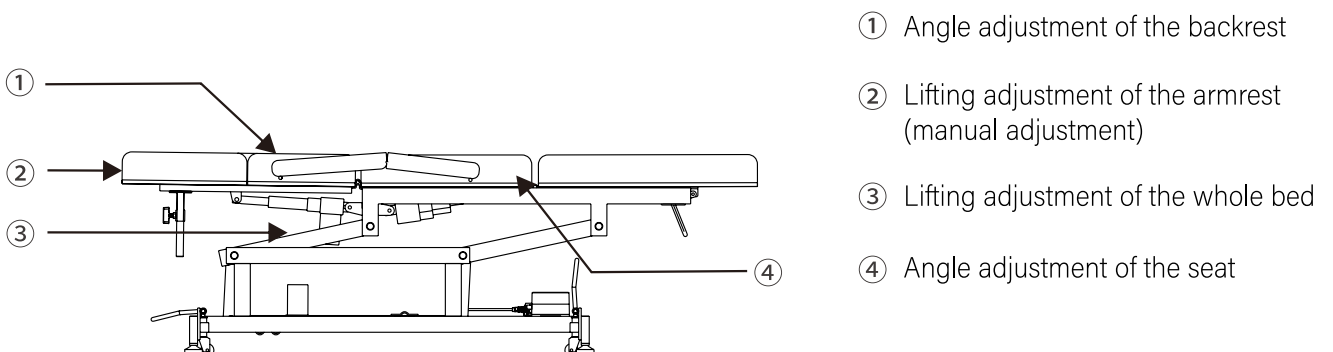
Correctly connect plug to a compatible power supply



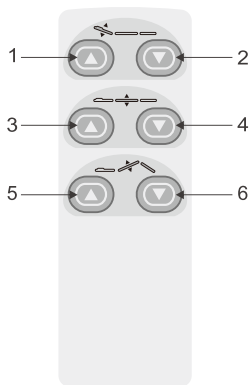
5. Structure of Product

This product consists of a control box, motor, hardware and material

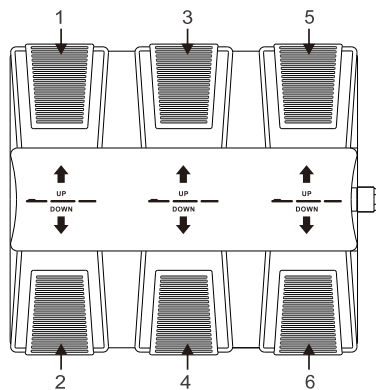
This beauty bed includes angle adjustment of the backrest, footrest angle adjustment and lifting adjustment of the whole bed



6. Operation Instruction



Standard Configuration
(Hand Controller)
Included

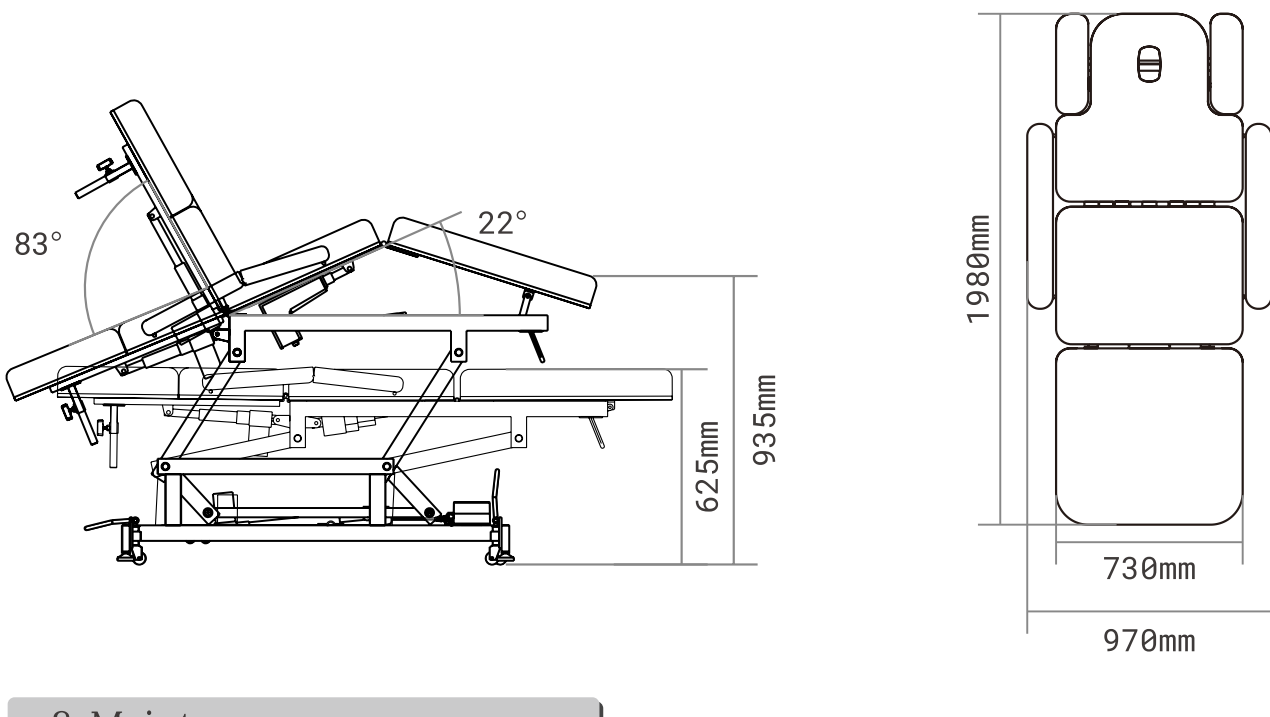


2. Standard Configuration
(Foot Controller)
Optional Extra

No.	Description	Operation
1	Backrest moves up	Backrest goes up smoothly by pressing the button
2	Backrest moves down	Backrest goes down by pressing the button
3	Whole bed moves up	The bed goes up smoothly by pressing the button
4	Whole bed moves down	The bed goes down smoothly by pressing the button
5	Seat cushion up	Seat inclining smoothly by pressing the button
6	Seat cushion down	Seat goes flat smoothly by pressing the button

7. Technical Parameters

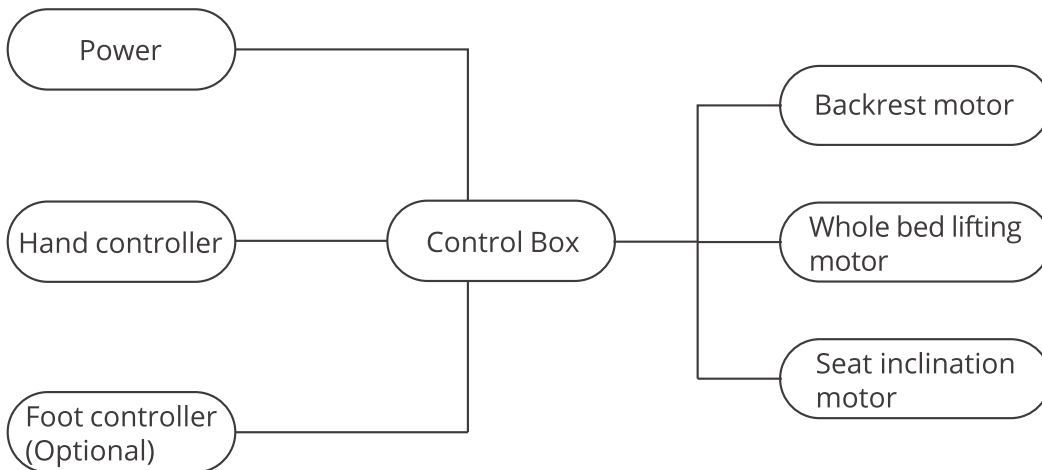
Power	AC100-120V or AC220-240V or AC100-240V, 50/50Hz
Maximum Power	300W
Environment Temperature	0°C ~ +40°C
Relative Humidity	30% ~ 90%
Lifting Rated Load	175kg
Package Size	2040 x 750 x 600mm
Net Weight	75kg
Gross Weight	85kg



8. Maintenance

After every treatment, use a neutral solution to clean dust and stains
Avoid using cleaning solutions such as alcohol, acid or alkaline solutions that could damage the material. This is to prevent the lifetime of the components from being shortened
Please lubricate the moving parts regularly (at least once a year)

9. Circuit System Connection Diagram



10. Troubleshooting

Fault Reference	Reason	Solution
Cannot move up or down normally	1. The power cord is not connected	1. Connect power cord is plugged in
	2. Poor quality of hand/foot controller	2. Replace hand/foot controller
	3. Poor quality of control box	3. Contact maintenance centre or supplier for troubleshooting
	4. Rupture of motor tail	
	5. Motor was damaged	
Abnormal sound	1. Rotating parts require lubricating oil	1. Add lubricating oil
	1. Rotating positions (such as hinge, POM sets, gas lift) are short of lubricating oil	1. Add lubricating oil

If problems continue to persist after following above operations, please contact a qualified maintenance centre or your supplier to resolve.



Do not dispose of old or defective appliances in domestic garbage; this should only be done through public collection points.

▲ Please check the product specification before use. This manual is for reference only. Specifications are subject to change without prior notice.