



Barneys Beautician Stool

MODELS B81022 + B81023 + B81025 + B81026

User Manual

Please read this user manual carefully before using the product.

www.barneyssalonsupplies.com.au | 1800 676 522

1. About This Manual

This manual should only be used in reference of the operation of this particular model. If the manual is used for other purposes, or instructions not followed correctly, Barneys Salon Supplies will not undertake any consequences or responsibility.

All information in this manual shall be protected by copyright and shall not be copied and translated in any part of this specification without the written consent of the manufacturer.

2. Warning

- Do not stand on the product.
- Do not allow children play with the product.
- Do not place the equipment in damp places such as bathroom or expose to direct sunlight.
- Do not use product on an unstable surface.

3. Precautions

- Read this manual carefully before installation, operation and adjustment.
- The operator must use the product only for its intended use.
- Please operate the product strictly in accordance with the warning label stamped on it.
- Do not overload the product and ensure that the product has been correctly and safely installed.
- Tighten bolts and nuts regularly to avoid product failure and to keep product secure.
Do not operate this product if faulty. Should the product appear to behave unusually, cease using the product and inspect immediately. Do not use the product until issues have been resolved.
- If casters are damaged during use, please replace before reusing the stool.
- After every treatment, clear the dust or stains on the product using a neutral cleaning solution.
- When adjusting parts of the equipment for positioning, please keep your hands, feet and head clear from mechanical parts.

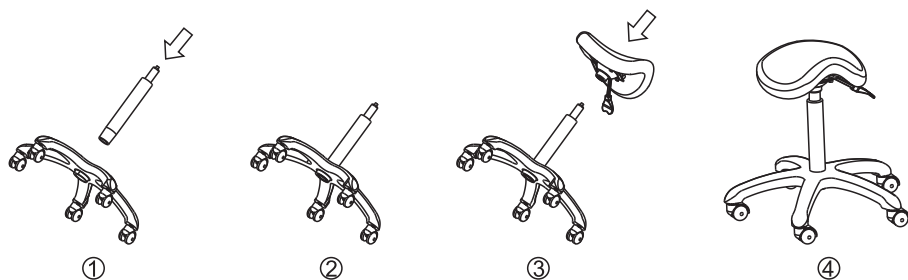
4. Installation

1. Open the packing carton to check if the product is intact and whether the accessories or spares are included. Please contact distributor or us if there's any problem.

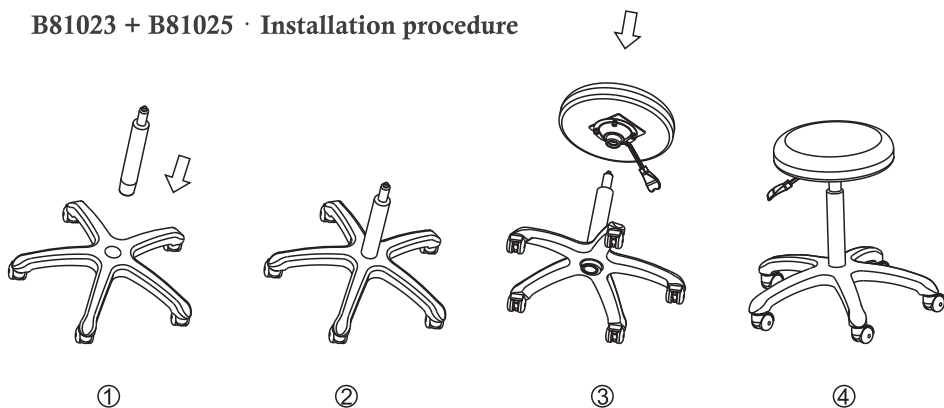
2. Installation

This product graphics below are for illustrative purposes only. For specific product structure please refer to the actual product. Follow illustrations outlined throughout.

B81022 + B81026 · Installation procedure



B81023 + B81025 · Installation procedure

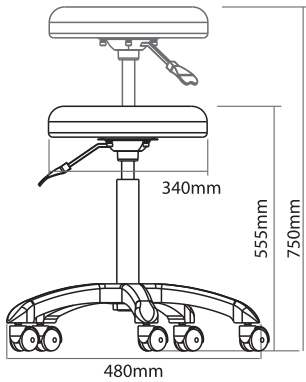


5. Technical Parameters

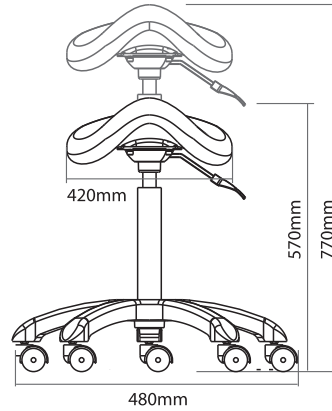
Product illustrations in this manual are based on the configuration parameters of standard gas lift.

Lifting Rated Load	Up to 175kg
Package Size	480×220×480mm(1021A/1022A/1023A/1022C)
Net Weight	6kg(1022C);7kg(1021A/1022A)
Gross Weight	7kg(1022C);8kg(1021A/1022A)

B81023 + B81025



B81022 + B81026



6. Maintenance

1. After every treatment, use a neutral solution to clean dust and stains.
Avoid using cleaning solutions such as alcohol, acid or alkaline solutions that could damage the surface. This is to prevent the lifetime of the components from being shortened.
2. Please lubricate the moving parts regularly (at least once a year).

7. Troubleshooting

Fault Reference	Reason	Solution
Not working properly	1. Can not raise or lower the stool.	1. Replace the gas lift.
	2. Casters can not rotate or move.	2. Replace the caster.

If problems continue to persist after following above operations, please contact a qualified maintenance center or your supplier to resolve.



Do not dispose of old or defective appliances in domestic garbage; this should only be done through public collection points.

- ▲ Please check the product specification before use. This manual is for reference only. Specifications are subject to change without prior notice.