



Cambridge LED Magnifying Lamp

MODEL B81005 + B81006

User Manual

Please read this user manual carefully before using the product.

www.barneyssalonsupplies.com.au | 1800 676 522




1. About This Manual

This manual should only be used in reference of the operation of this particular model. If the manual is used for other purposes, or instructions not followed correctly, Barneys Salon Supplies will not undertake any consequences or responsibility.

All information in this manual shall be protected by copyright and shall not be copied and translated in any part of this specification without the written consent of the manufacturer.

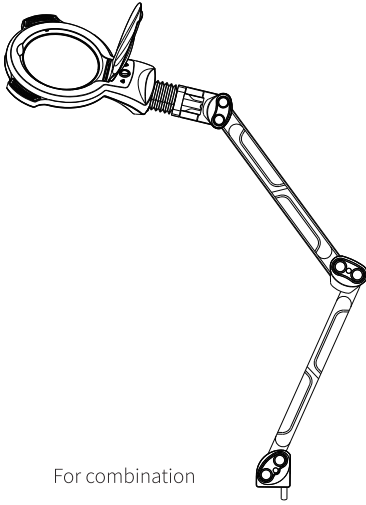
2. Warning

- Do not use in wet environments (such as a bathroom or spa area).
- Turn the power off after operation.
- Please disconnect the product from the power source if it is not being used for a long period of time.
- Clean the lamp head and cover it properly for storage.
- Wipe the lens with a soft lens cloth. Do not wipe with paper towel or other materials to avoid damage.
- Avoid contact of liquids with the brightness switch or other electric components when adjusting the device.
- Avoid direct light to the eyes. Protect eyes from direct light.
- If the external power cable is damaged, it must be replaced by the manufacturer, a certified electrical service agent, or a qualified electrician to avoid hazards.
- WARNING "  " (IEC 60417-6042): The light source can only be replaced by the manufacturer or qualified service agent.
- Do not use alcohol or other organic solvent to clean the lens.

3. Features

- Adjustable brightness LED lighting
- Multi adjustable arm
- 5 dioptre magnifying glass lens or 225% magnification (2.25X) and lens protective cover
- Includes a clamp to easily secure to a bench or trolley top

4. Components



For combination

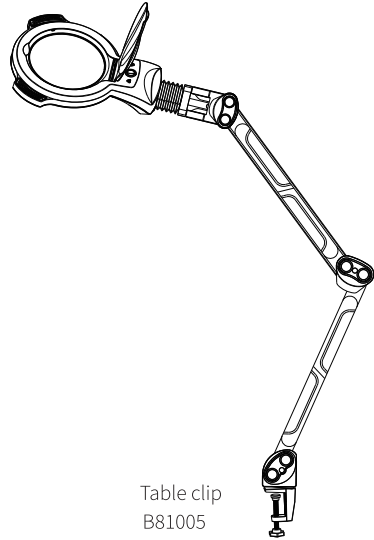
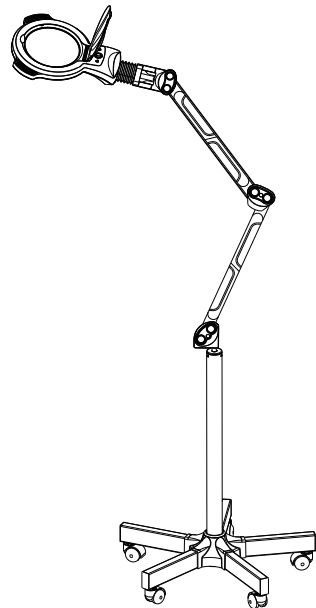
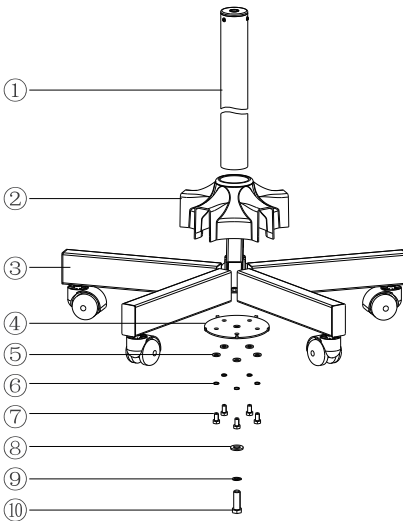


Table clip
B81005



Pedestal Base
B81006

Installation Parts:

NO.	Name	Qty	NO.	Name	Qty
①	Column	1	⑥	Flat pad M6X20	5
②	Pentagonal base holder	1	⑦	Hexagonal screw $\phi 6$	5
③	Five-legged stand	1	⑧	Spring pad $\phi 10$	1
④	Pentagonal clamp plate	1	⑨	Flat pad $\phi 10$	1
⑤	Spring pad $\phi 6$	5	⑩	Hexagonal screw M10X40	1

5. Operation Method

◆ Operation Cautions



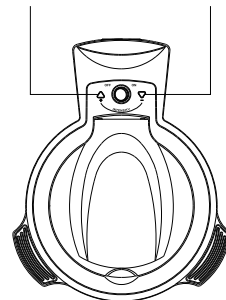
WARNING!

- Do not use acidic or alkaline substances with this product.
- Do not move this product whilst it is in use or whilst it is directly plugged into a power supply.
- Do not use or store this product in an environment containing acidic gas or humid air to avoid malfunction and other dangers.
- Do not use this product near high-temperature and high-heating objects.
- Do not use this product near flammable objects or flammable liquids.

◆ Operation method

- ① Connect the “Power” supply.
- ② Turn on the “Power” button. Open the plastic cover and align the magnifying lamp with the treatment zone.
- ③ Adjust brightness and the distance between the lamp and skin to achieve the clearest illumination. (4 levels of brightness).
- ④ Examine the skin or begin beauty treatment. Brightness can be adjusted during operation.

Brightness Up Brightness Down



6. Product Parameters

(1) See the table below for input power:

Rated Voltage (V)	AC 100-240V
Rated Frequency (Hz)	50/60Hz

(2) Rated power and illumination: (illumination tested at a distance of 20cm)

Level1 : 2.5W, 950 LUX Level2 : 3.5W, 1400 LUX

Level3 : 5.0W, 1900 LUX Level4 : 7.0W, 2400 LUX

(3) Working environment: Temperature +0 C ~+45 C , relative humidity 30%~90%

(4) Storage environment: Temperature +20 C ~+60 C , relative humidity 30%~80%

(5) Net weight: 12.8kg

(6) Gross weight: 15kg

(7) Packing size : 83.5cm ×69.5cm ×13.5cm

7. Maintenance

1. After every treatment, use a neutral solution to clean dust and stains.

Avoid using cleaning solutions such as alcohol, acid or alkaline solutions that could damage the surface. This is to prevent the lifetime of the components from being shortened.

2. Please lubricate the moving parts regularly (at least once a year).

8. Troubleshooting

Fault References	Reason	Solution
The light is not bright	1. No power.	1. Turn on the power.
	2. The power cord is not properly inserted or connected.	2. Plug or connect the power cord properly.
The brightness of the light cannot be adjusted	1. No power.	1. Turn on the power.
	2. The power cord is not properly inserted or connected.	2. Plug or connect the power cord properly.
	3. Button failure	3. Contact the repair center or dealer to troubleshoot.
	4. Poor contact or burnt out of the circuit.	4. Contact the repair center or dealer to troubleshoot.
Abnormal sound when the lamp arm moves	The rotating parts are short of lubricating oil.	Add lubricating oil.

If problems continue to persist after following above operations, please contact a qualified maintenance center or your supplier to resolve.



Do not dispose of old or defective appliances in domestic garbage; this should only be done through public collection points.

▲ Please check the product specification before use. This manual is for reference only. Specifications are subject to change without prior notice.