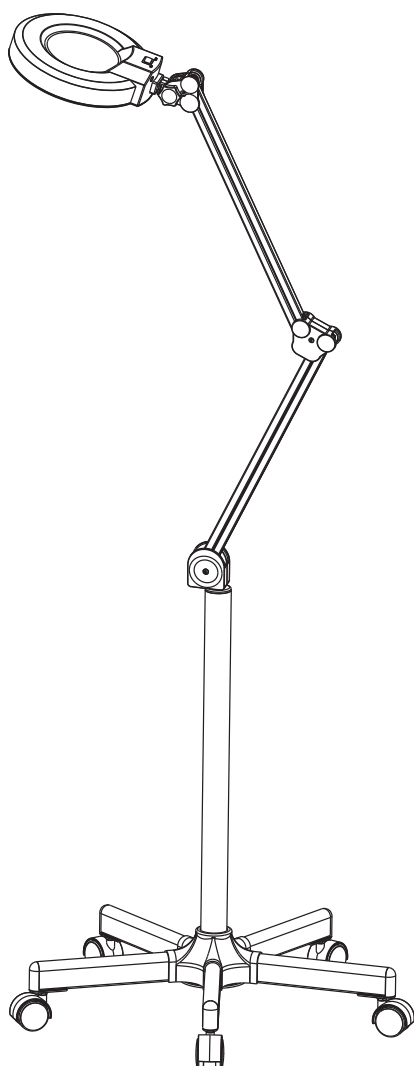


**barneys**  
salon supplies

## Bradford LED Magnifying Lamp

MODEL B81001 + B81002

### User Manual



Please read this user manual carefully before using the product.


[www.barneyssalonsupplies.com.au](http://www.barneyssalonsupplies.com.au) | 1800 676 522

## 1. About this Manual

This manual should only be used in reference of the operation of this particular model. If the manual is used for other purposes, or instructions not followed correctly, Barneys Salon Supplies will not undertake any consequences or responsibility.

All information in this manual shall be protected by copyright and shall not be copied and translated in any part of this specification without the written consent of the manufacturer.

## 2. Warning

- Do not use in wet environments (such as a bathroom or spa area).
- Turn the power off after operation.
- Please disconnect the product from the power source if it is not being used for a long period of time.
- Clean the lamp head and cover it properly for storage.
- Wipe the lens with a soft lens cloth. Do not wipe with paper towel or other materials to avoid damage.
- Avoid contact of liquids with the brightness switch or other electric components when adjusting the device.
- Avoid direct light to the eyes. Protect eyes from direct light.
- If the external power cable is damaged, it must be replaced by the manufacturer, a certified electrical service agent, or a qualified electrician to avoid hazards.
- WARNING  (IEC 60417-6042): The light source can only be replaced by the manufacturer or qualified service agent.
- Do not use alcohol or other organic solvent to clean the lens.

## 3. Features

B81001

- Adjustable brightness LED lighting
- Multi adjustable arm
- 5 dioptr magnifying glass lens or 225% magnification (2.25X) and lens protective cover
- Includes a clamp to easily secure to a bench or trolley top

B81002

- Adjustable brightness LED lighting
- Multi adjustable arm
- 5 dioptr magnifying glass lens or 225% magnification (2.25X) and lens protective cover
- includes a pedestal base with 5 casters for easy moveability.

## 4. Technical Specifications

(1) Input power frequency and voltage as below:

Rated Voltage (V)	AC 100-240V
Rated Frequency (Hz)	50/60Hz

(2) Rated power and illumination: (Illumination tested at a distance of 20cm) 6.0W, 2500 LUX

(3) Diopter of Lens: 5D

(4) Working environment: Temperature -20°C ~ +45°C, relative humidity 30% ~ 90%

(5) Storage environment: Temperature -20°C ~ +60°C, relative humidity 30% ~ 80%

(6) Net Weight: 7.8kg

(7) Gross Weight: 9.1kg

(8) Package dimensions: 84cm x 30cm x 15.5cm

## 5. Directions of Use:

(1) Plug the light lamp into a power source.

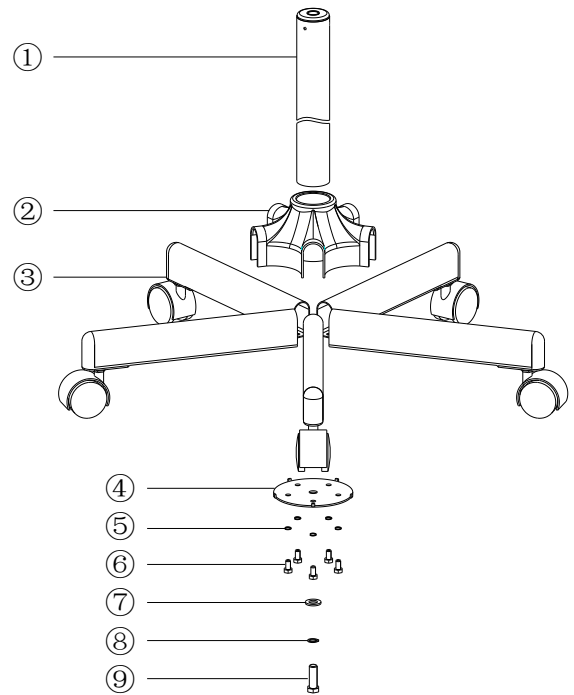
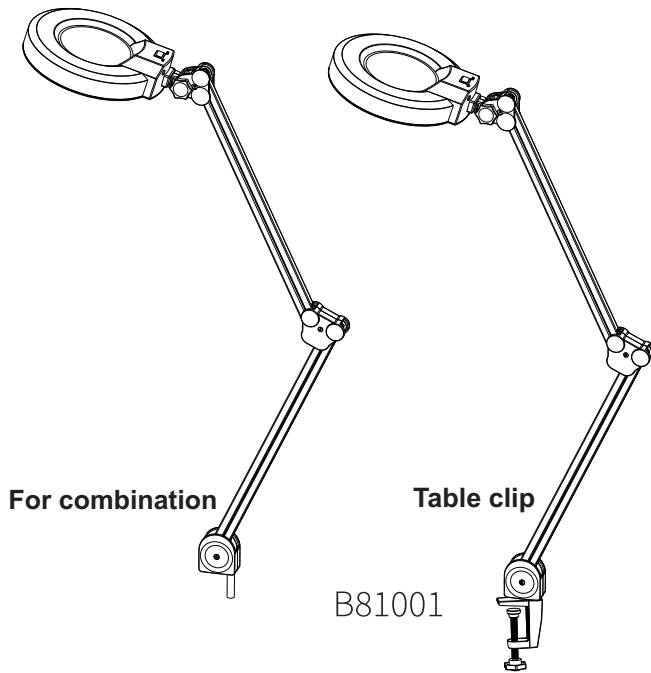
(2) Turn the power switch to 'ON' and allow the light to warm up.

(3) Aim the magnifying lens at the area that will undergo examination or treatment

(4) Adjust the distance between the lamp and the skin's surface in order to achieve a clear optimal vision. (The suggested optimal visual range is:  $\leq 10\text{cm}$ )

(5) Examine the skin or conduct your beauty treatment. Brightness can be adjusted during use.

## 6. Magnifying Lens:



Installation Parts:

NO.	Name	Qty	NO.	Name	Qty
①	Column	1	⑥	Hexagonal screw $\phi 6$	5
②	Pentagonal base holder	1	⑦	Spring pad $\phi 10$	1
③	Five-legged stand	1	⑧	Flat pad $\phi 10$	1
④	Pentagonal clamp plate	1	⑨	Hexagonal screw M10X40	1
⑤	Spring pad $\phi 6$	5			



Do not dispose of old or defective appliances in domestic garbage; this should only be done through public collection points.

▲ Please check the product specification before use. This manual is for reference only. Specifications are subject to change without prior notice.