

Project Information

Model Type: _____

Project Name: _____

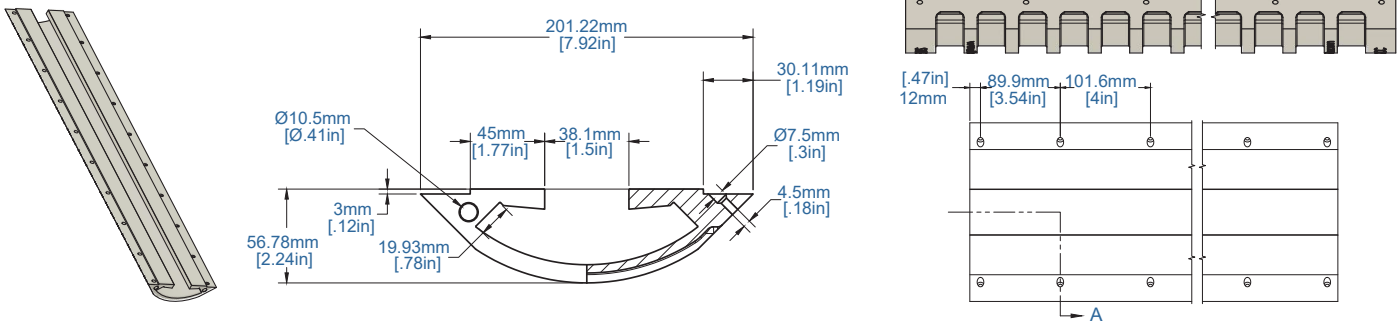
Location: _____

SLS-GLCC15

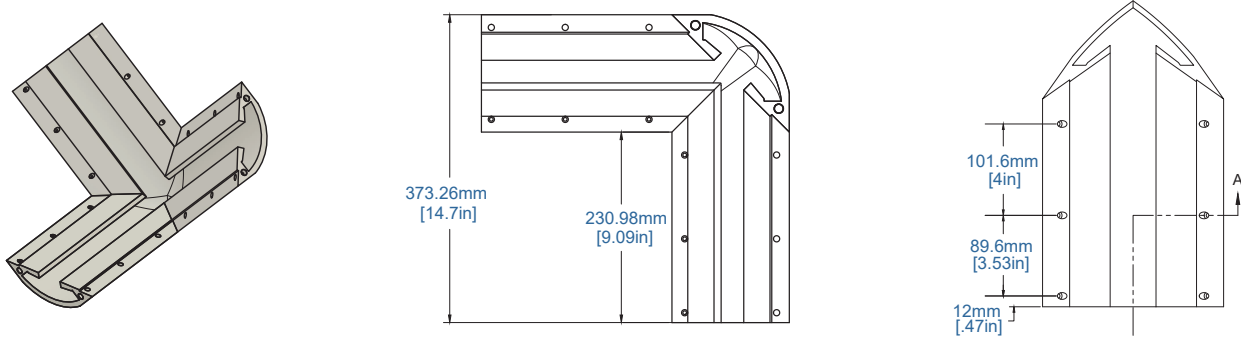
LIGHTING CROWN COVE CHANNEL

This is a rounded Crown Cove with built-in space to do the tape lighting. Made specifically for corner applications, it facilitates indirect light transitioning from walls to the ceiling without the need to lower the ceiling, special framing, lensing, or any aluminum channel.

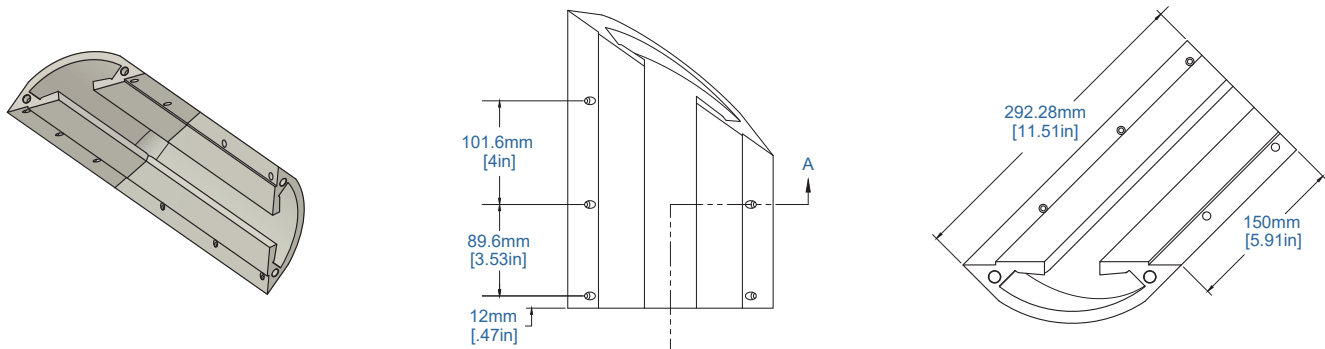
SLS-GLCC15_Crown Bar



SLS-GLCC_TRC15



SLS-GLCC-CR15



Key Features

- Space to accommodate single or double LED tape installation
- Intended for the crown moldings in the corners/wall-to-wall/wall-to-ceiling application
- Easily screws directly into corners
- Installed similar to crown molding
- No special framing accommodation required to mount it; no reverse cove framing needed
- Half-rounded back permits ample space to run wires behind the channel
- Allows easy wiring flexibility without a need to drill a frame
- Non-flammable gypsum building material
- Run wire beneath concrete within the wall for cove lighting in homes, condo, and commercial spaces
- Great for commercial, residential, and hospitality applications
- Could be installed pre-drywall or post-drywall
- Available in 3ft lengths