

WIRELESS ACCESS

Point Platform



Blur the lines between architecture and interior design while delivering a great wireless experience with our Wireless Access Point Platform. Provide secure & an extended range of coverage while maintaining seamless flow from wall to ceiling for clean interiors. Compatible with most industry standard devices and brands, such as Araknis, Ruckus, Luxul & more.



Available in 2 sizes

Key Features:

- *Included universal mounting plate & mounting hardware make it a breeze to install in remodel or new construction*
- *Gypsum, environmentally & Wi-Fi-friendly building materials*
- *Versatility to suit ceiling- or wall-mounted applications*
- *Mounting plate designed for easy wall access & quick wire management*
- *Multiple device flexibility provided by the extra space designed around the mounting adaptor plate*
- *Future trends device changeability*
- *Fits in standard 2x4 stud wall*
- *Design flexibility to install in spaces under 4 inches*
- *Flush mounted trimless and seamless design*
- *5 year warranty*

SLW-APS



SLW-APL



Project Information

Model Type: _____

Project Name: _____

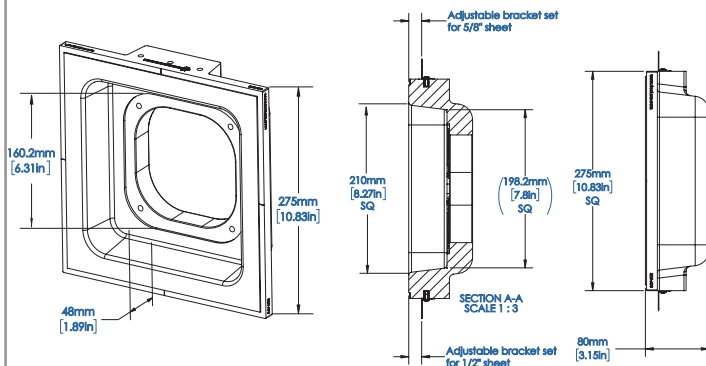
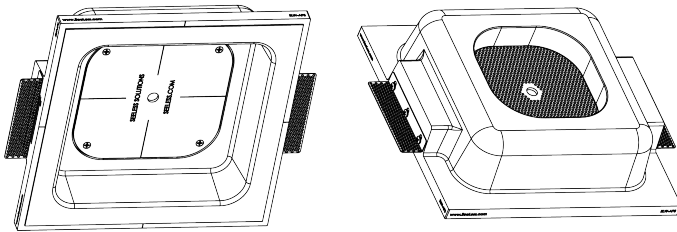
Location: _____

SLW

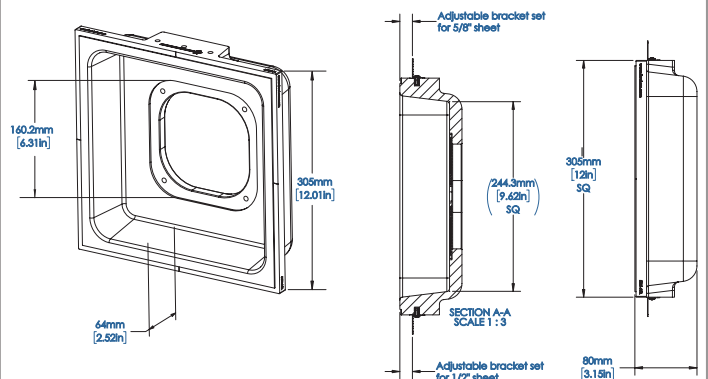
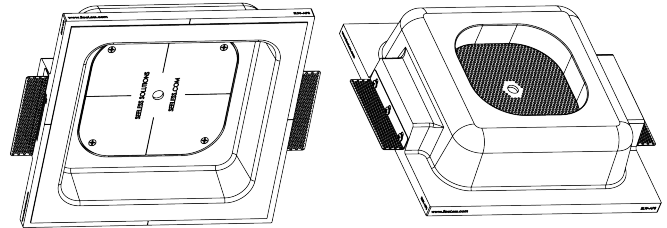
Wireless Access Point Platform

SeeLess Solutions manufactures revolutionary patented mounting platforms designed to minimize clutter and enhance the overall appearance and finish of all wiring devices, thermostats, smoke detectors, sensors and more. Our gypsum platform enables you to take devices that are currently surface-mounted and provides them with the ability for seamless recessed integration with a beautifully designed minimal reveal. **SeeLess Solutions** delivers a minimalistic modern design adaptable to any residential & commercial environments.

SLW-APS

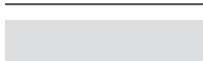


SLW-APL



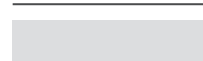
Product Ordering

SLW-APS



Quantity

SLW-APL



Quantity