

4 3 2 1

D

C

B

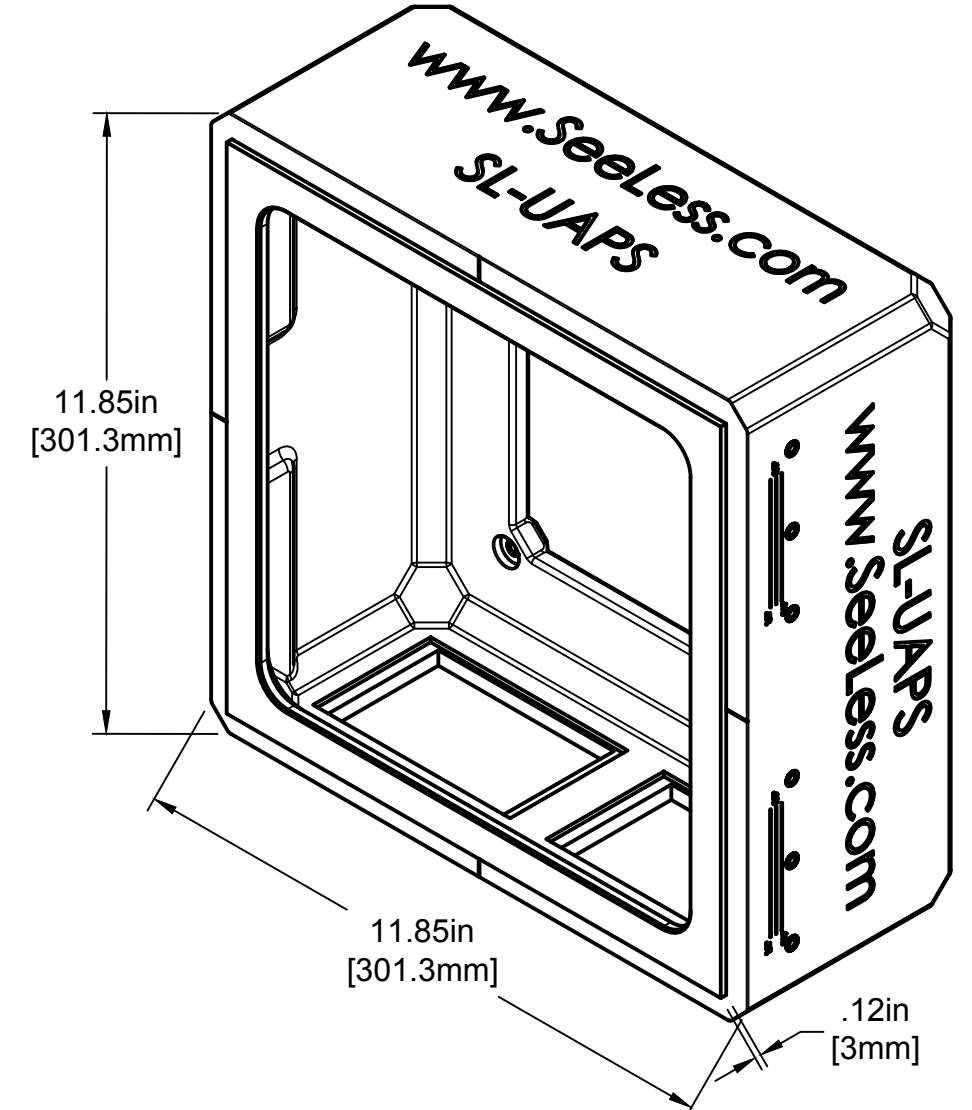
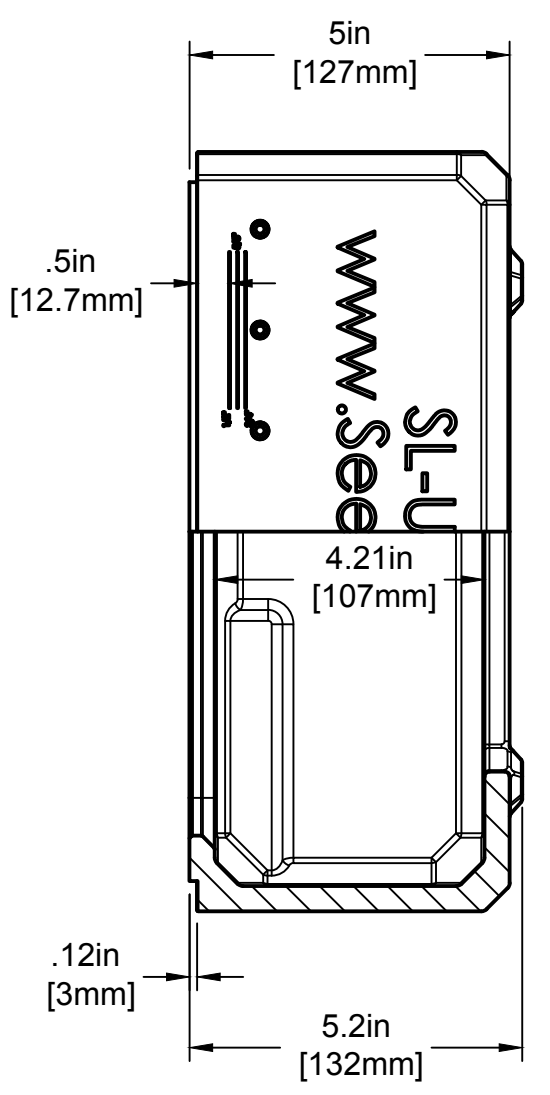
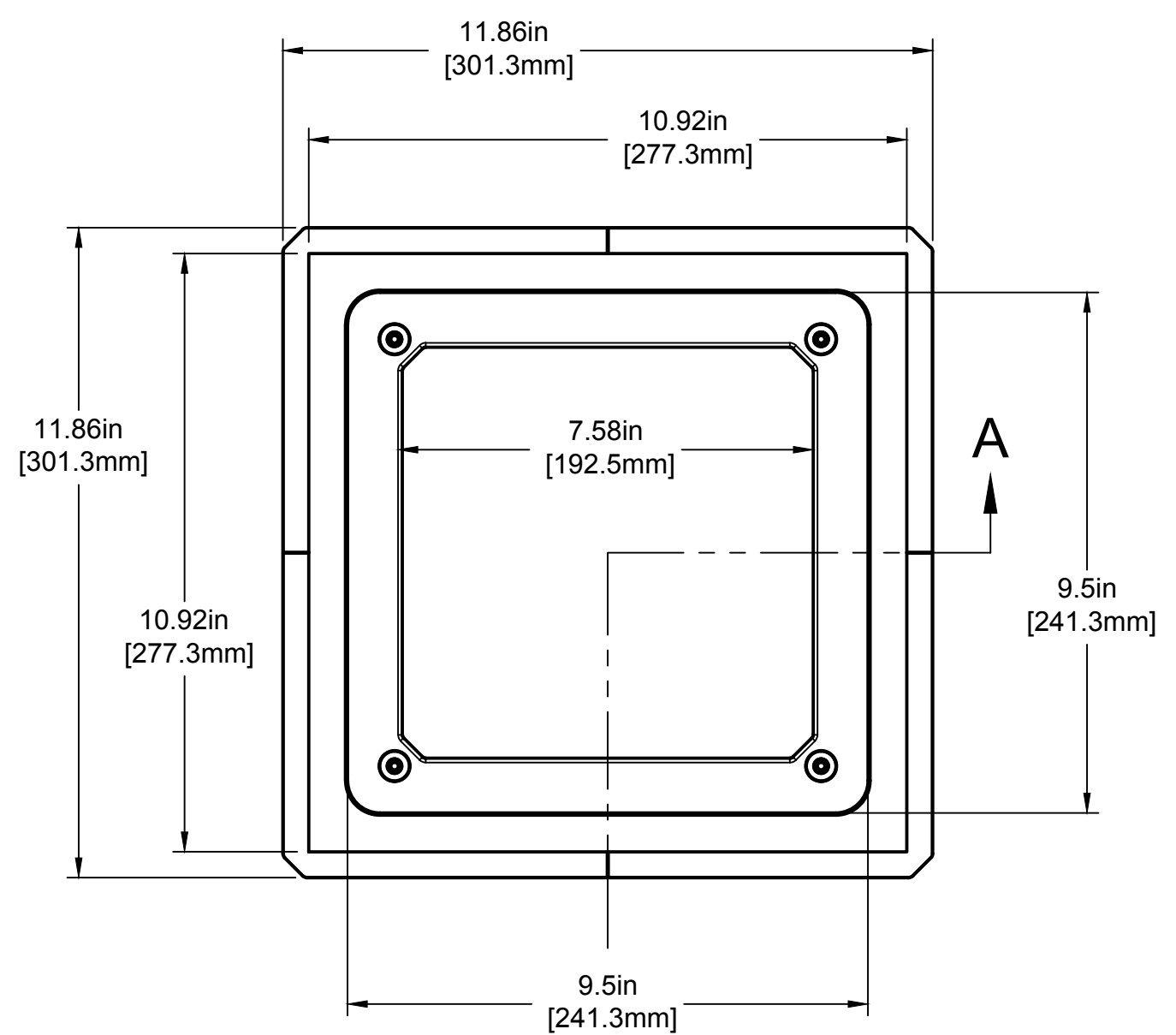
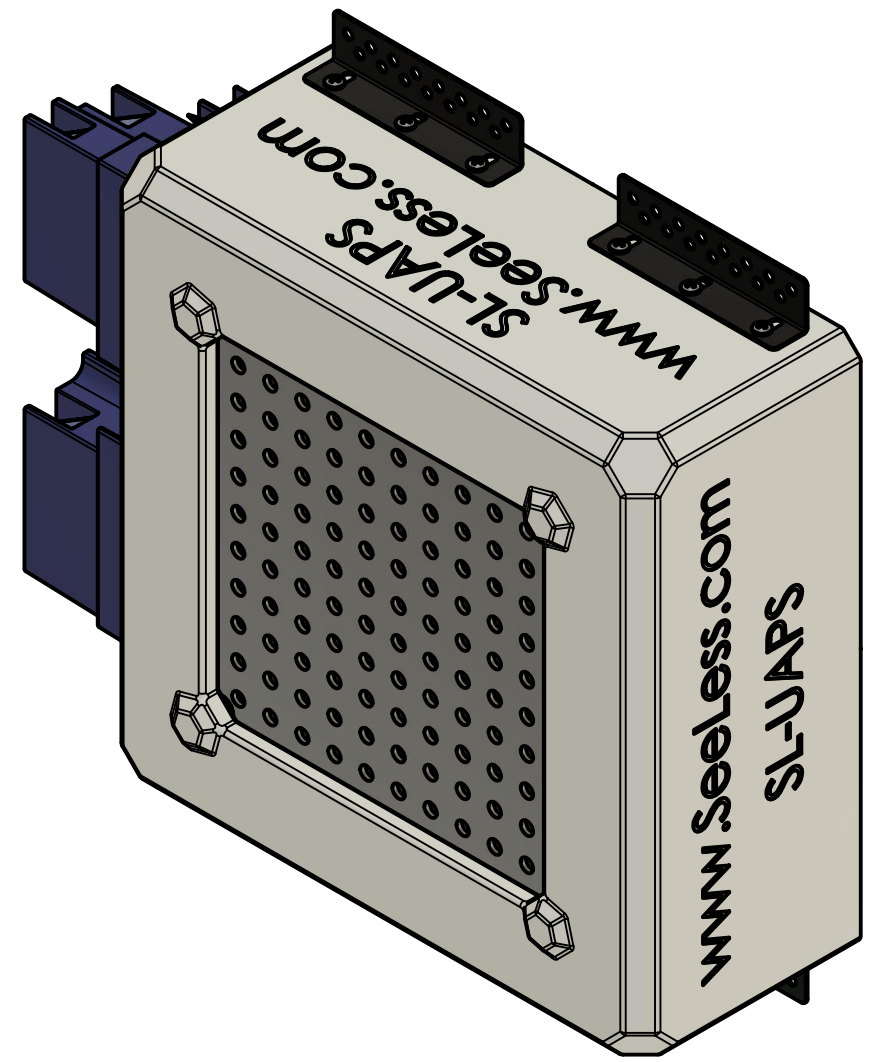
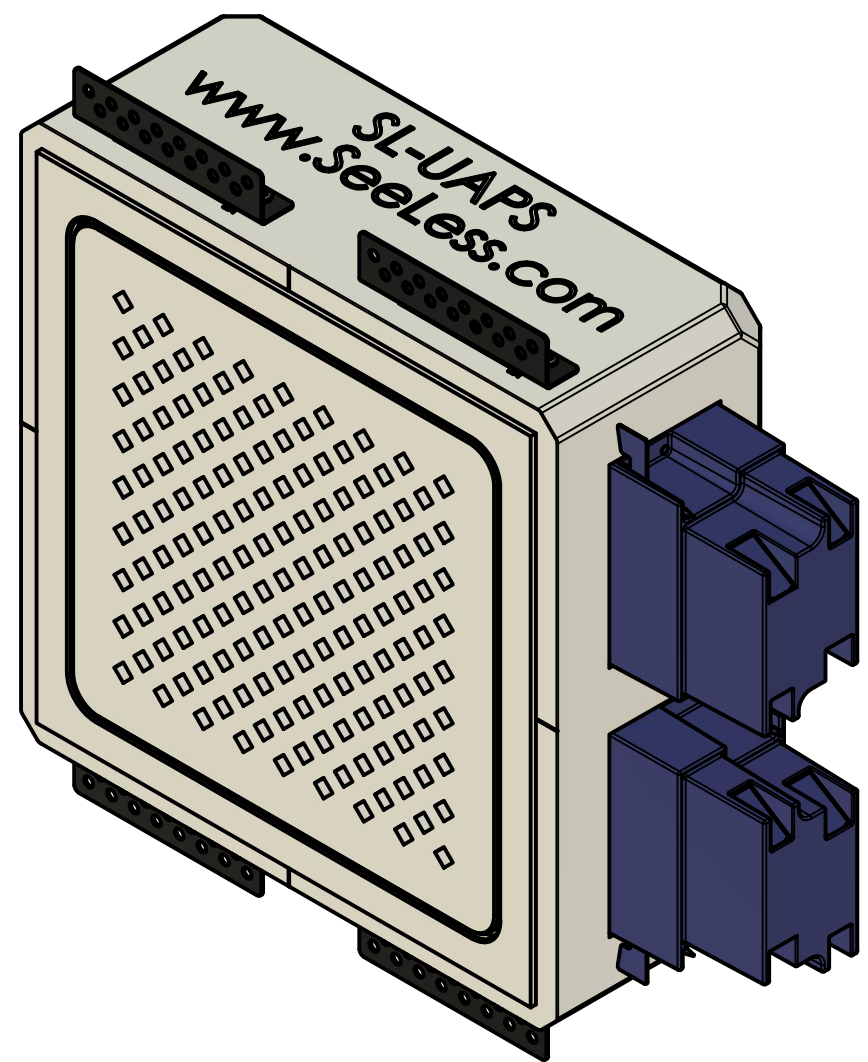
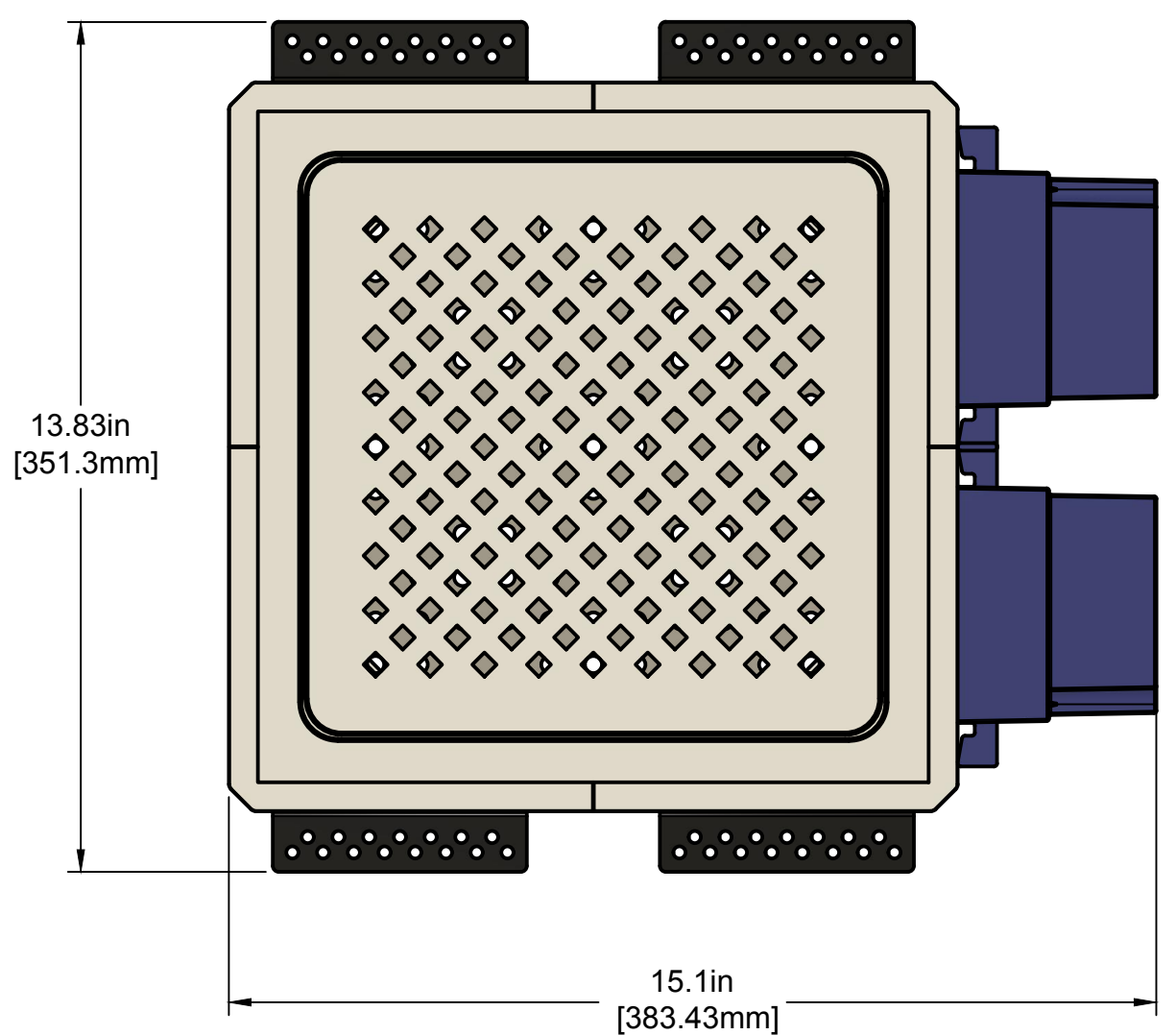
A

D

C

B

A



SECTION A-A
SCALE 1:3



PROJECT	SeeLess		
SIZE	MODEL#	SLW-UAPS_assy	
C			
SCALE	1:3	WEIGHT	DRAWN Roman Korshunov 10/26/23

4

3

2

1