

4

3

2

1

D

D

C

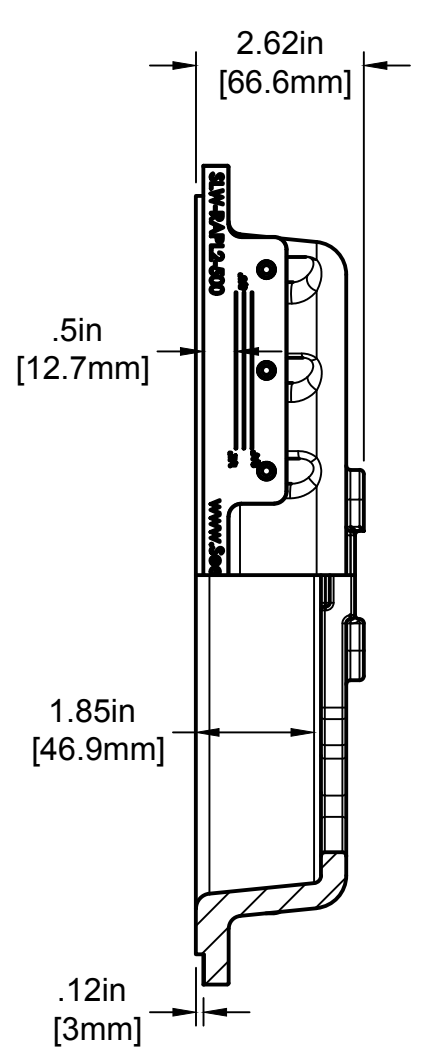
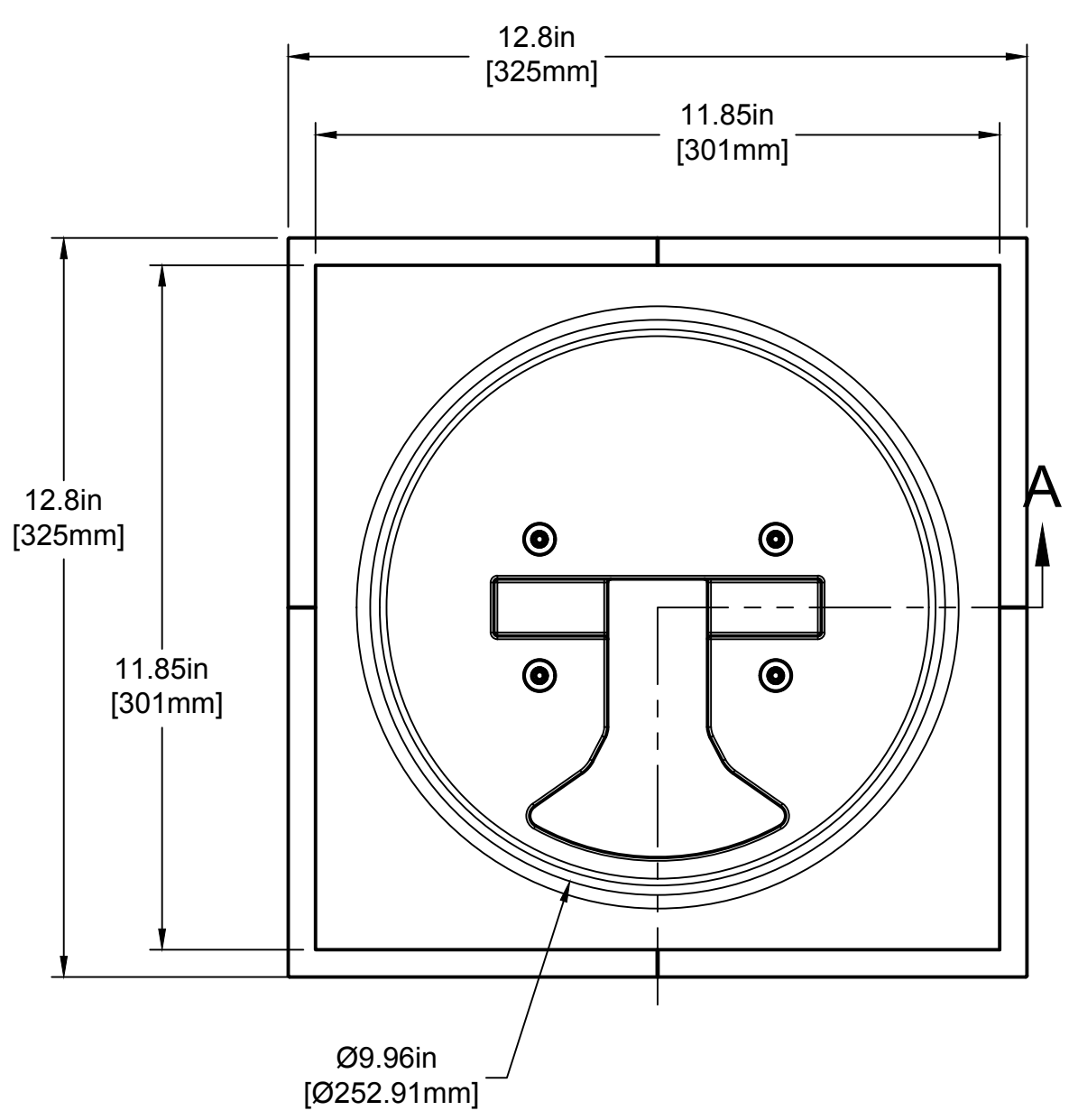
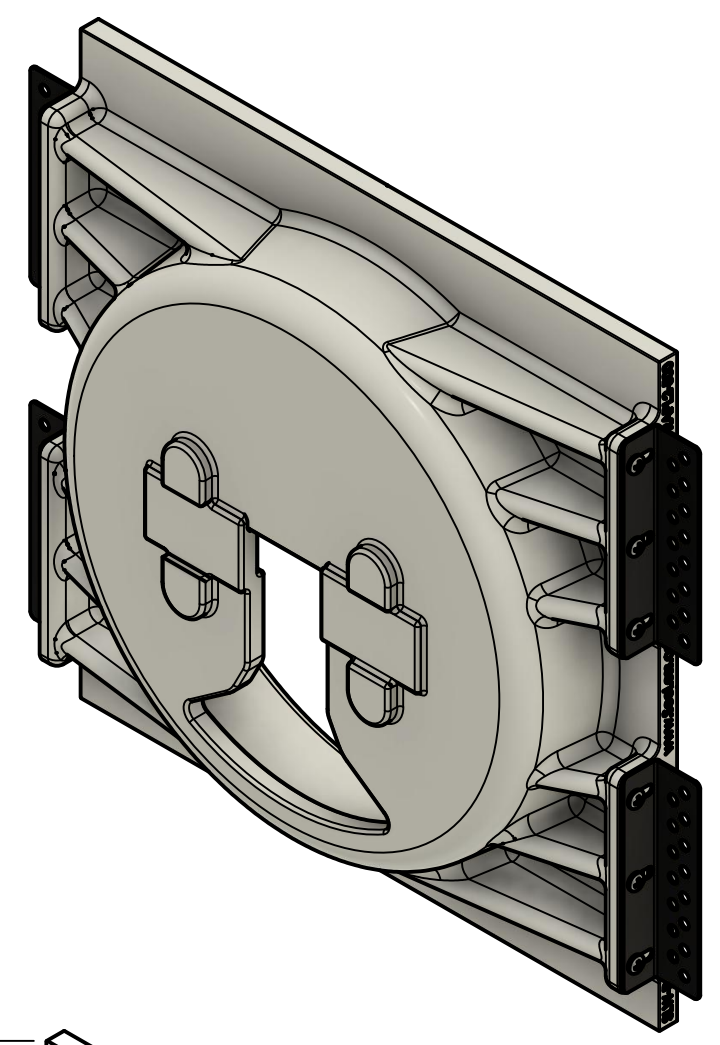
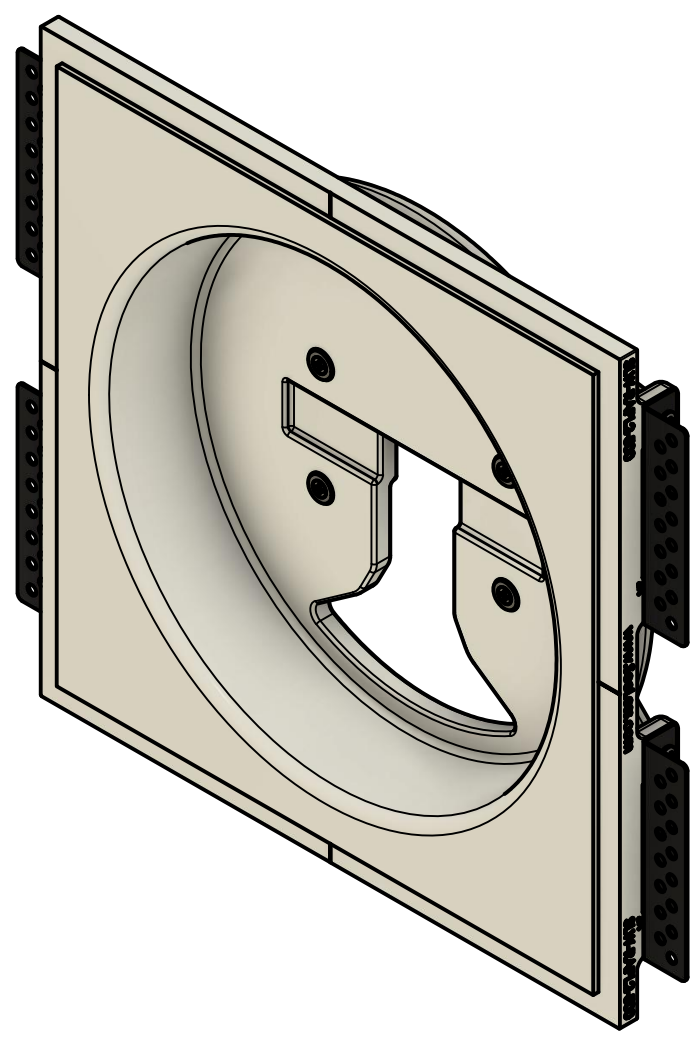
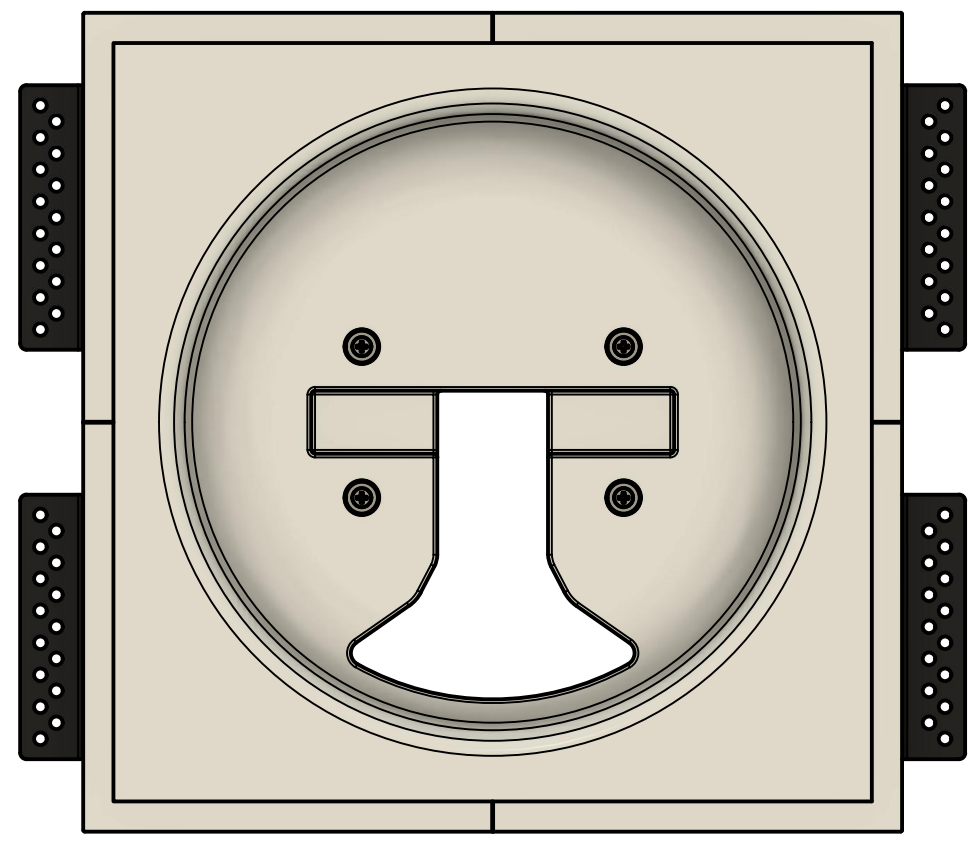
C

B

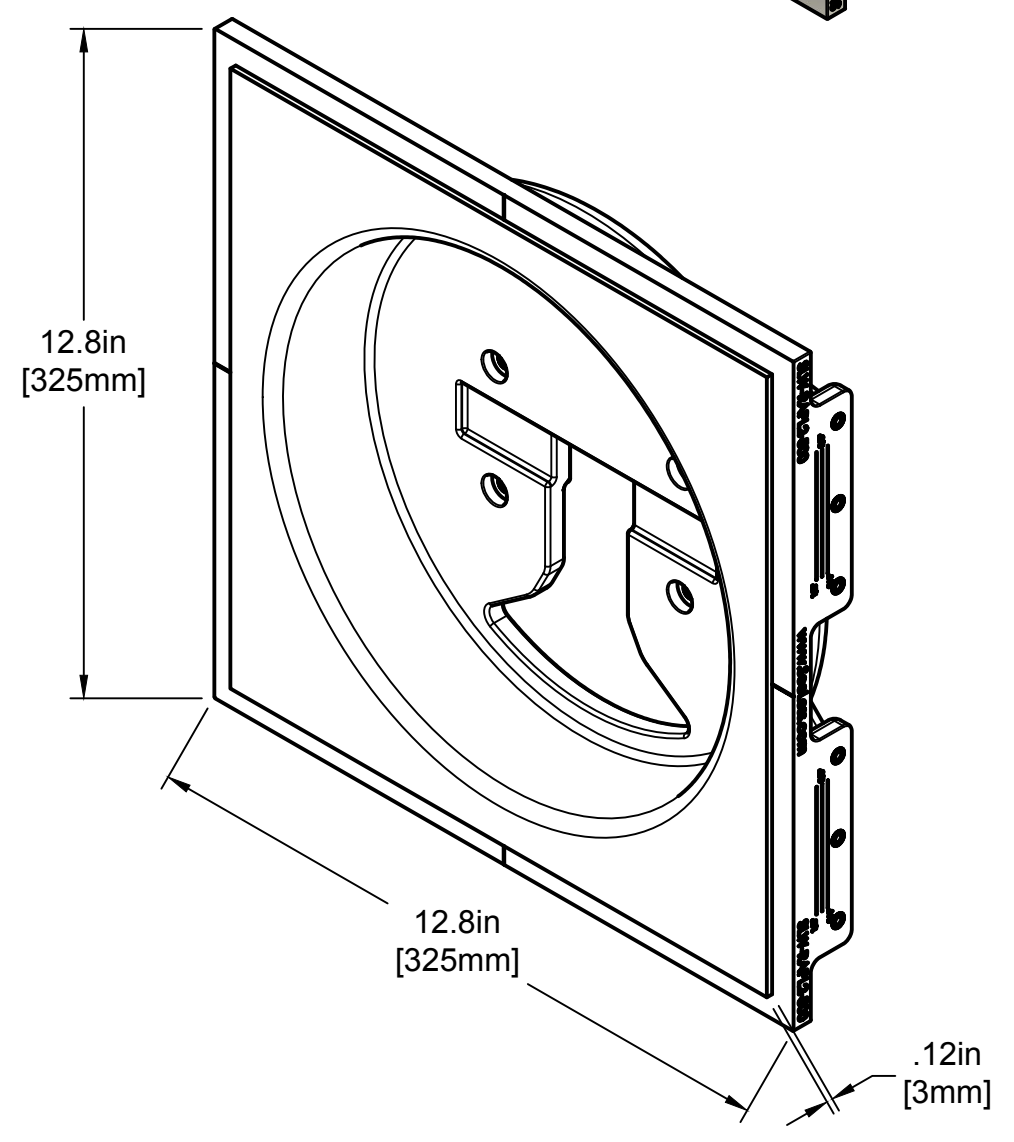
B

A

A



SECTION A-A  
SCALE 1:3



PROJECT		SeeLess	
SIZE	MODEL#	SLW-RAPL2-500	
C			
SCALE	1:3	WEIGHT	DRAWN Roman Korshunov 9/16/23

4

3

2

1