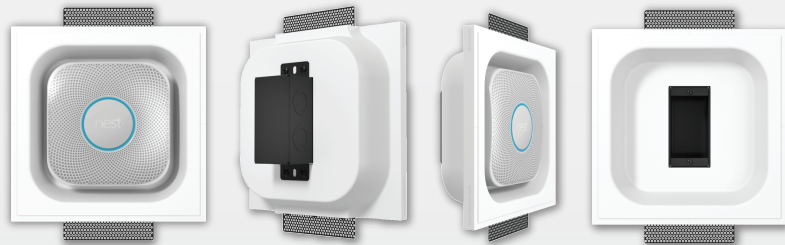


SMOKE DETECTOR Mounting



Our Smoke Detector Mounting Platform can improve the look of your home by seamlessly embedding these important items into the wall and ceiling, creating elegant lines and finishing transitions. The soft rounded corners add a clean detailed finish like never before.



3/4" Reveal

Key Features:

- Flush mounted trimless and seamless design
- Easy installation for new construction and remodel applications
- UL Electrical back box & mounting hardware included
- Adaptable to SeeLess 1-gang 4" Box Extension Mud Ring for use with standard electrical 4" back box.
- Available in multiple depth and reveal styles
- Made from environmentally friendly and recyclable materials
- 5 year warranty

SLN-SM-750



1 866 442 5377



5222 Venice Boulevard,
Los Angeles, CA 90019



www.SeeLess.com

Project Information

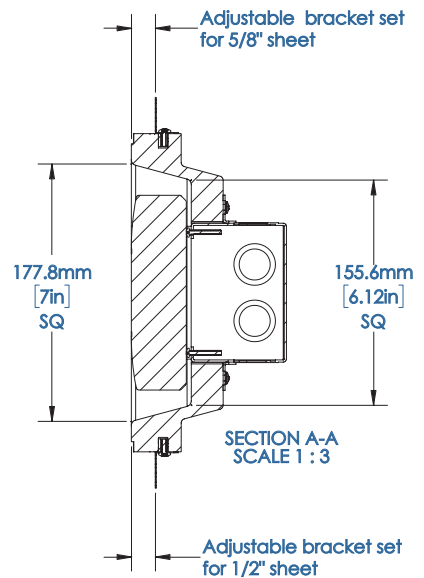
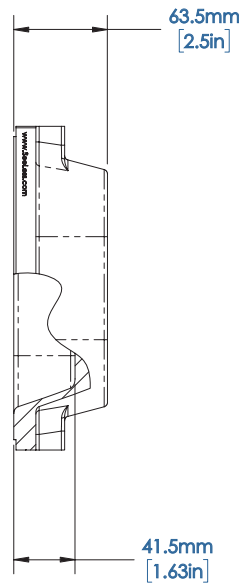
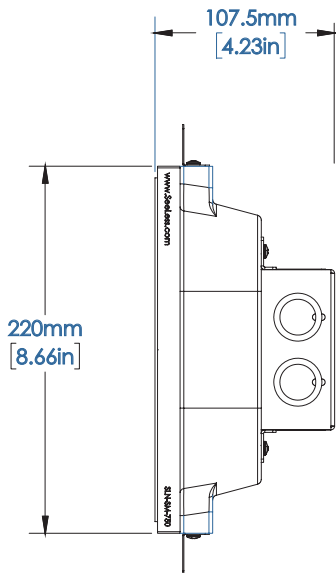
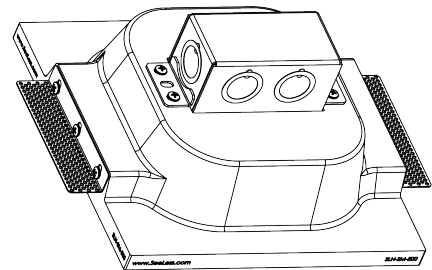
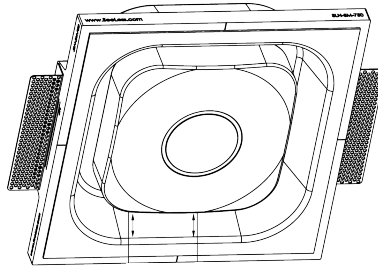
Model Type: _____
 Project Name: _____
 Location: _____

SLN-SM-750

Smoke Detector Mounting

SeeLess Solutions manufactures revolutionary patented mounting platforms designed to minimize clutter and enhance the overall appearance and finish of all wiring devices, thermostats, smoke detectors, sensors and more. Our gypsum platform enables you to take devices that are currently surface-mounted and provides them with the ability for seamless recessed integration with a beautifully designed minimal reveal. **SeeLess Solutions** delivers a minimalistic modern design adaptable to any residential & commercial environments.

SLN-SM-750



Product Ordering

SLN-SM-750



Quantity