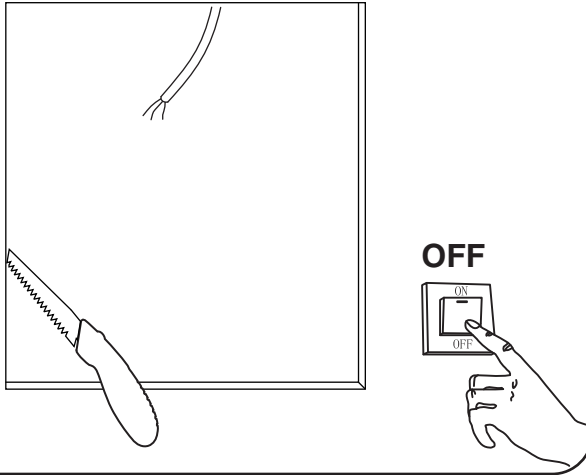


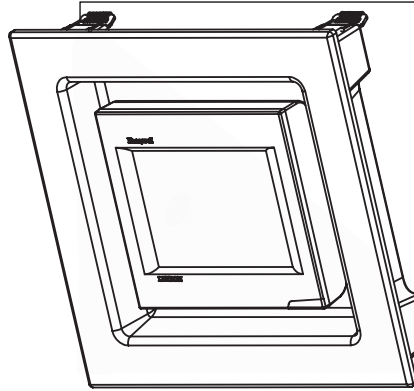
INSTALL GUIDE FOR SLL-TSR-750 - REMODEL/RETROFIT

ATTENTION! - Always make sure power has been cut off before attempting any installation

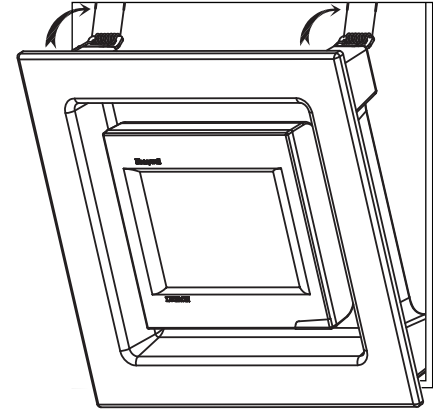
1 Cut a hole in drywall at the desired location



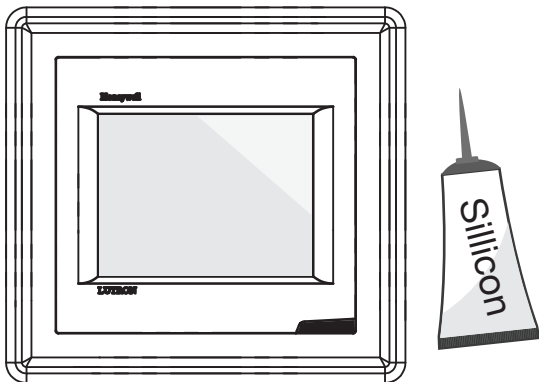
2 Insert lower springs first



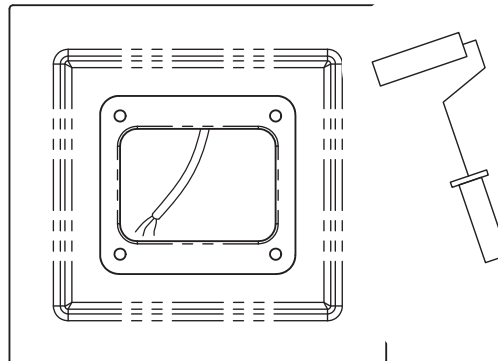
3 Insert upper springs



4 Level and silicone if desired



5 Paint if desired



6 Install thermostat

