

Project Information

Model Type: _____

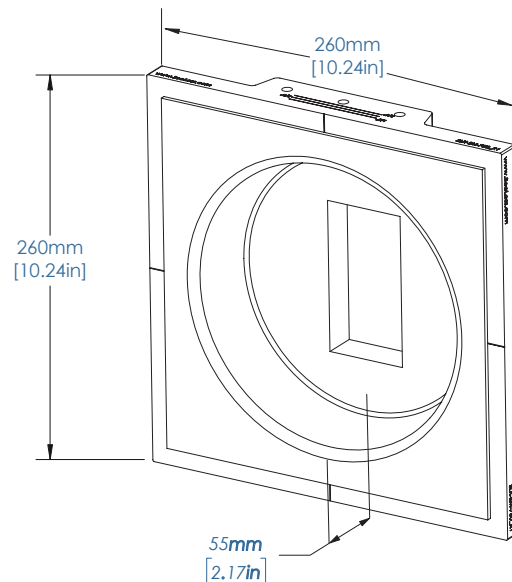
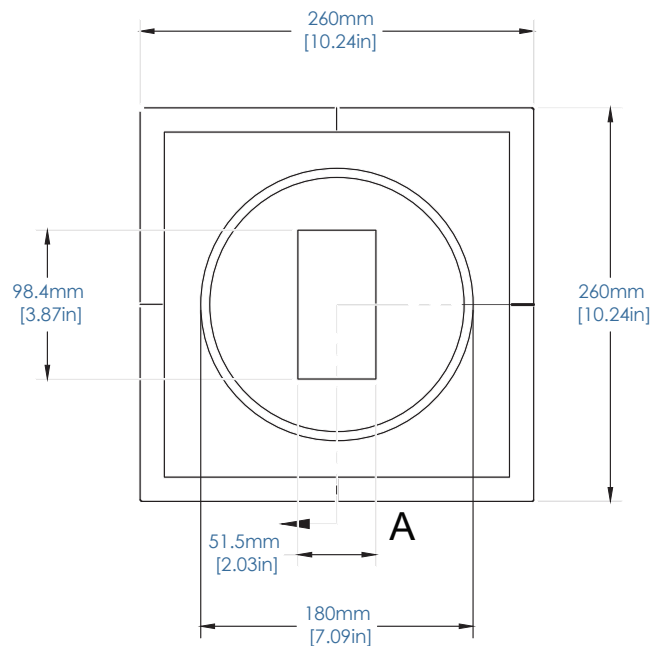
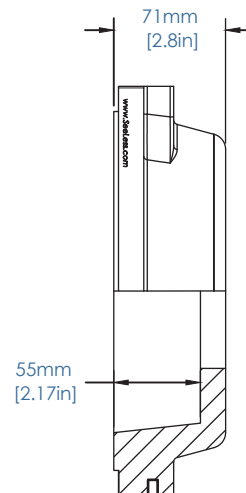
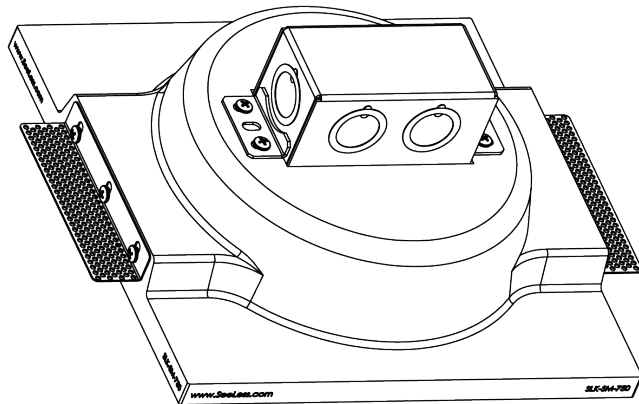
Project Name: _____

Location: _____

SLK-SM1-500 Smoke Alarm Recess Platform

This deeper single gang mud-in platform has been designed around the Cosmo devices' measurements. In addition to that, this mount is commonly used with Dome cameras.

SLK-SM1-500



Key Features

- Recessed integration directly into drywall applications
- Reveal: 1/2"
- Simplified installation process for retrofitting & new construction
- Comprised of a green, fully sustainable building material
- Brackets can be adjusted for 1/2", 5/8" & 3/4" drywall
- Includes 1-Gang UL Electrical back box along with mounting hardware
- This mount has been designed for 6" walls