

4

3

2

1

D

D

C

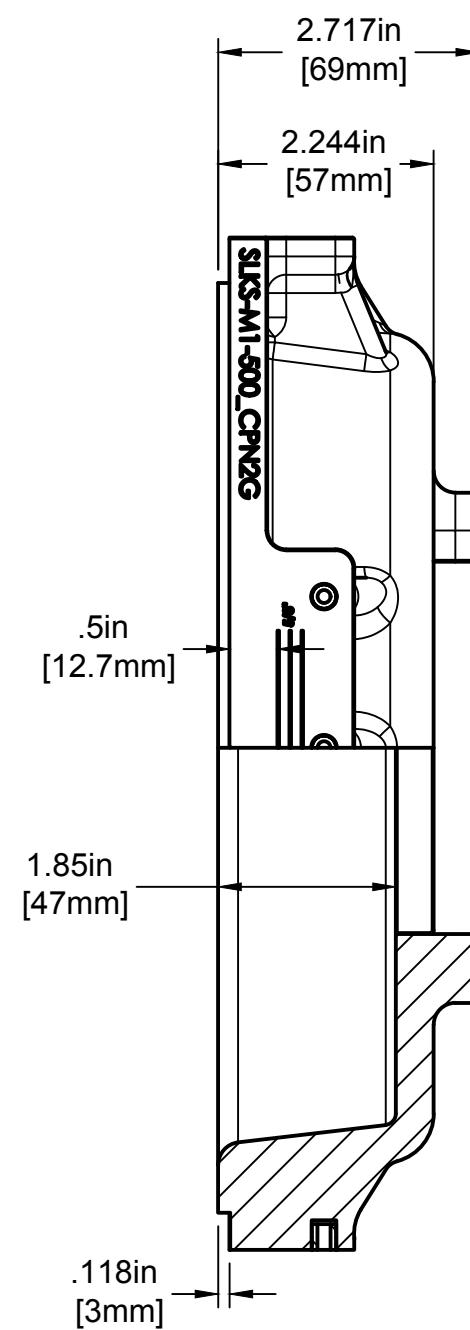
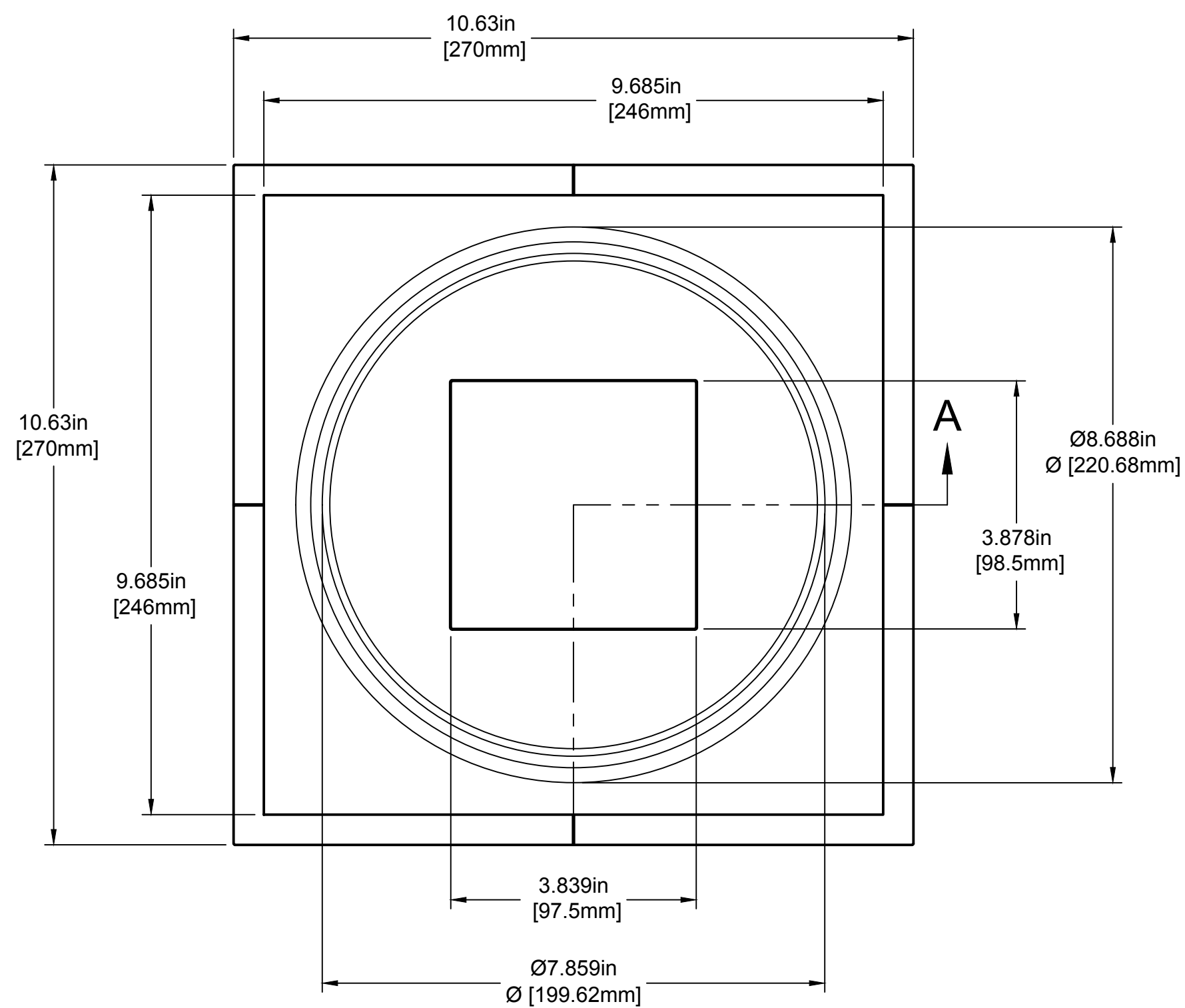
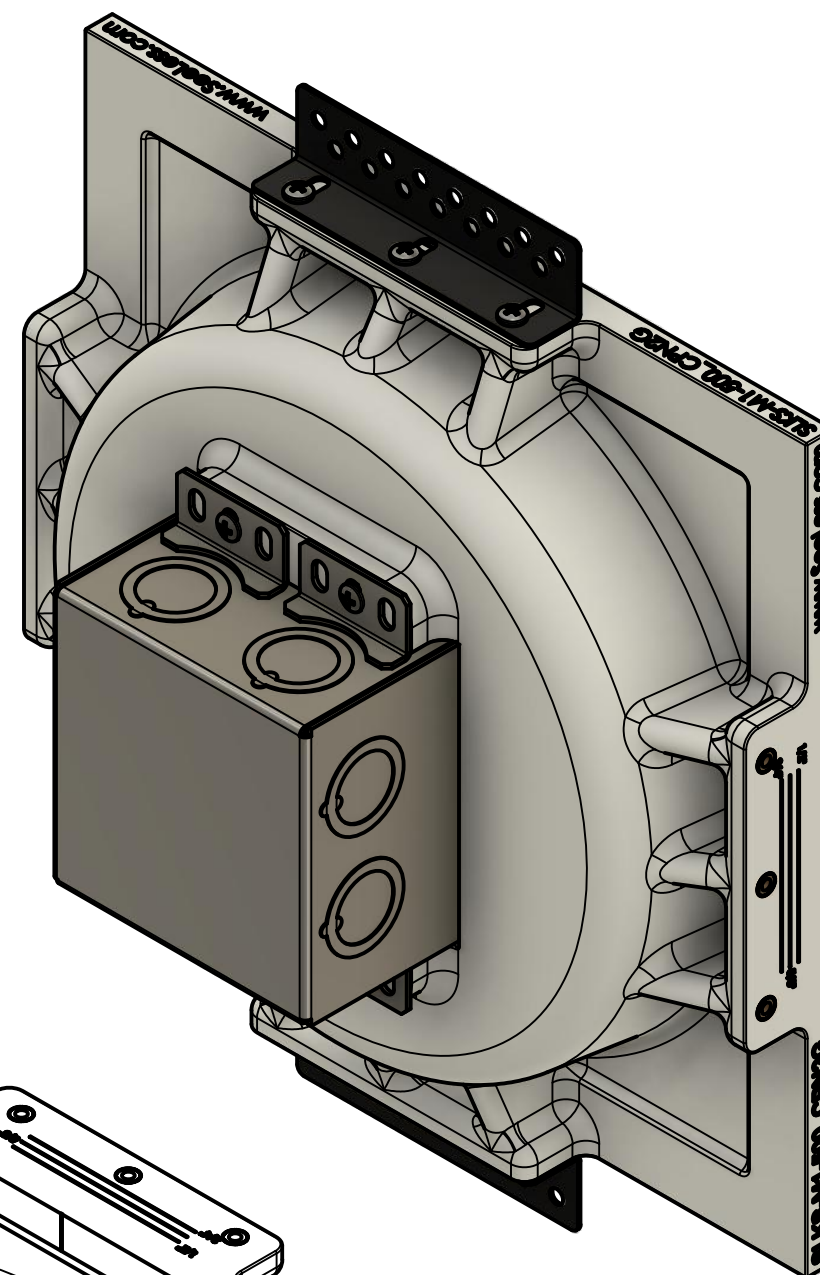
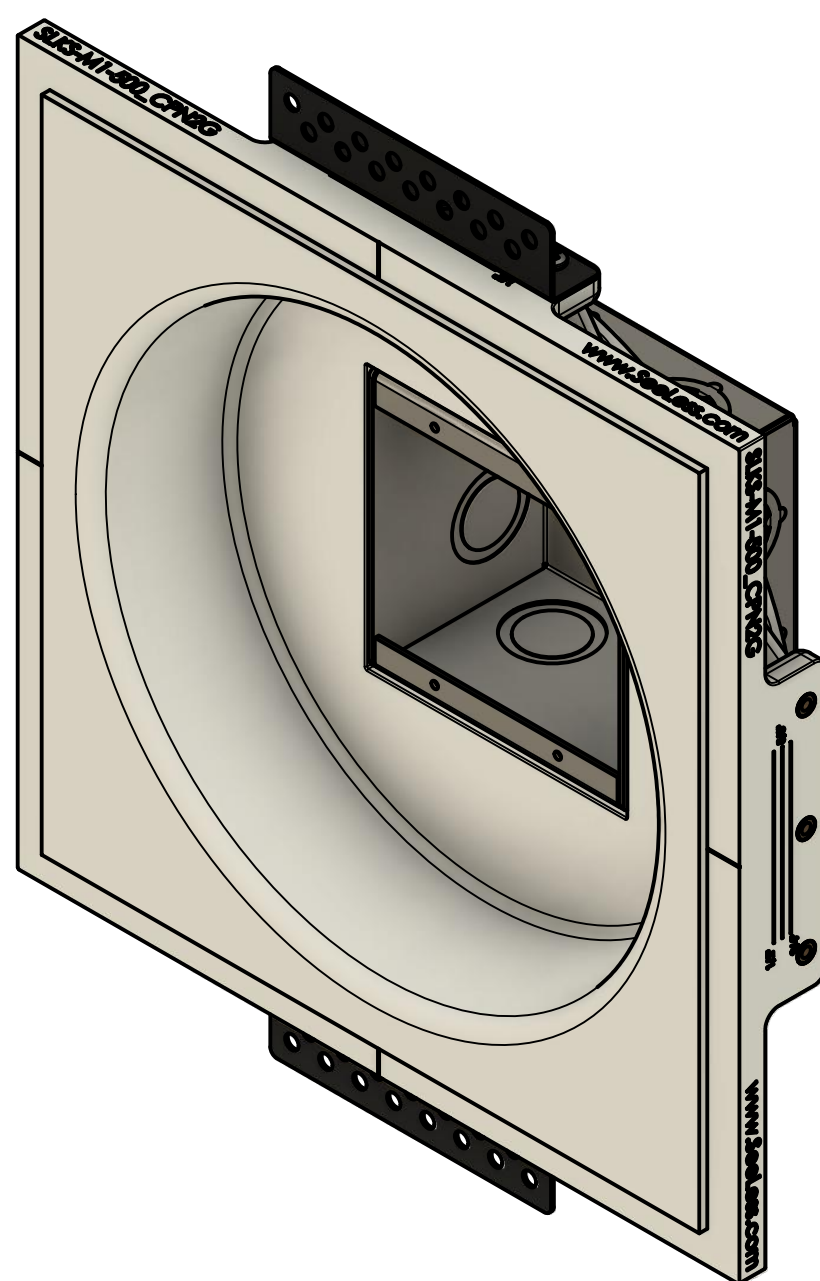
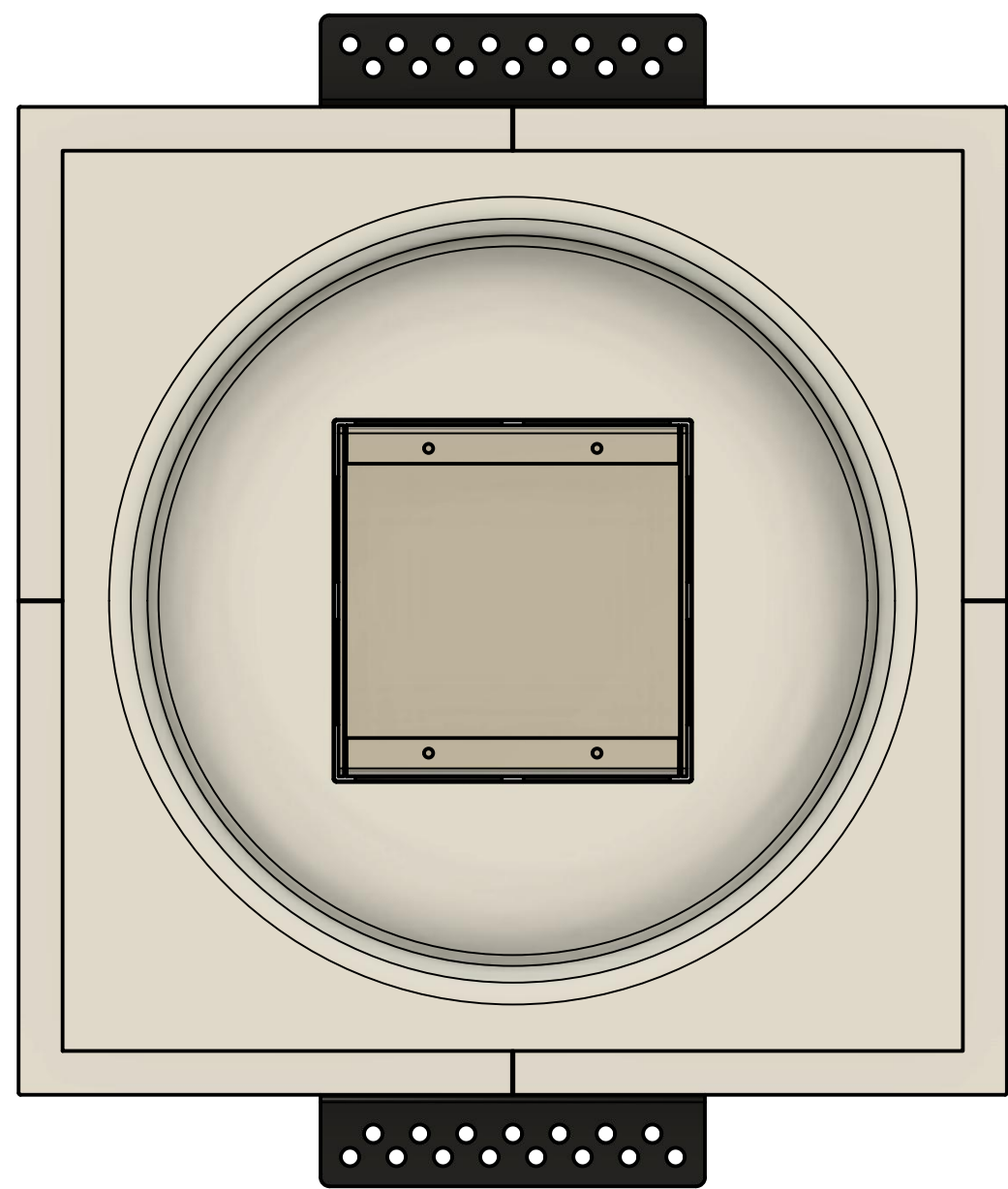
C

B

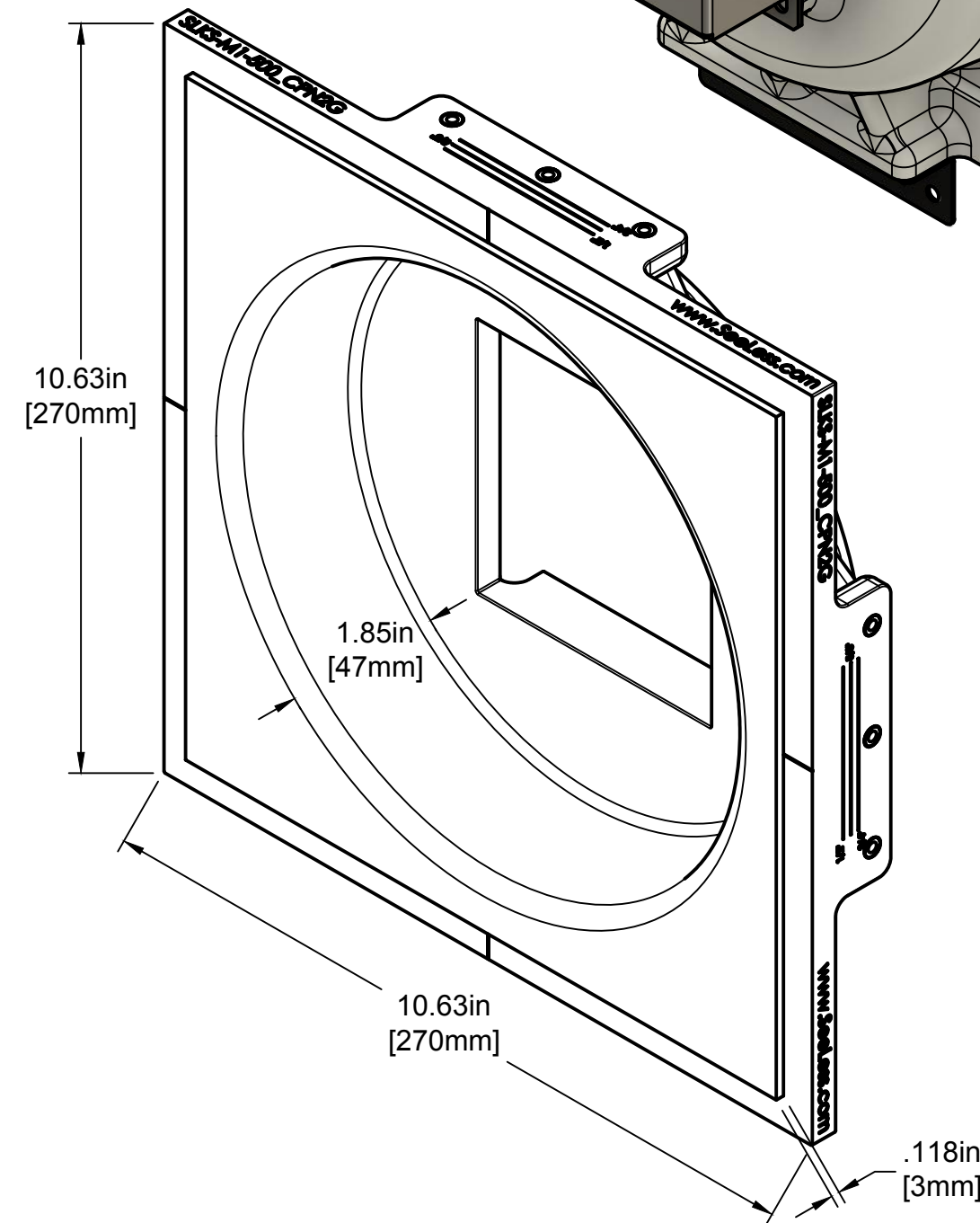
B

A

A



SECTION A-A
SCALE 1:2



PROJECT		SeeLess	
SIZE	MODEL#	SLK-SM1-500_CPN2G	
C			
SCALE	1:2	WEIGHT	DRAWN Roman Korshunov 10/7/2023

4

3

2

1