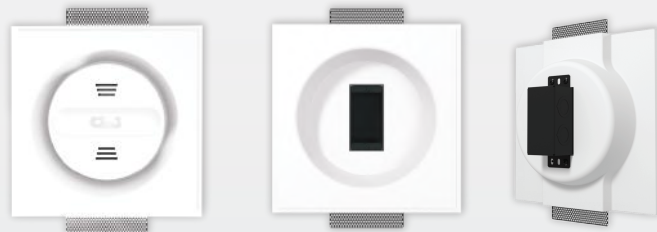


# SMOKE ALARM

## Recess Platform



SeeLess smoke detector mounting platform will significantly improve the visual appearance of any room by unobtrusively placing smoke detectors in your home. This platform is compatible with most industry standard round devices and brands such as Kidde, First Alert and more. Please refer to website product page for a list of commonly used smoke detectors & additional technical details.



Available in 2 sizes

### Key Features:

- *Seamless recessed integration in drywall applications*
- *Significantly improves aesthetics*
- *Simplified installation process*
- *Sustainable & green building material*
- *Brackets adjust to 3/4", 5/8", & 1/2" drywall*
- *Accommodates Class 1 and Class 2 electrical wiring devices*
- *UL Electrical back box & mounting hardware included*
- *Adaptable to SeeLess 1-gang 4" Box Extension Mud Ring for use with standard electrical 4" back box.*
- *Compatible with most industry standard, round devices and brands (fit may vary)*

#### SLK-SM-500



#### SLK-SM-750



### Project Information

Model Type: \_\_\_\_\_

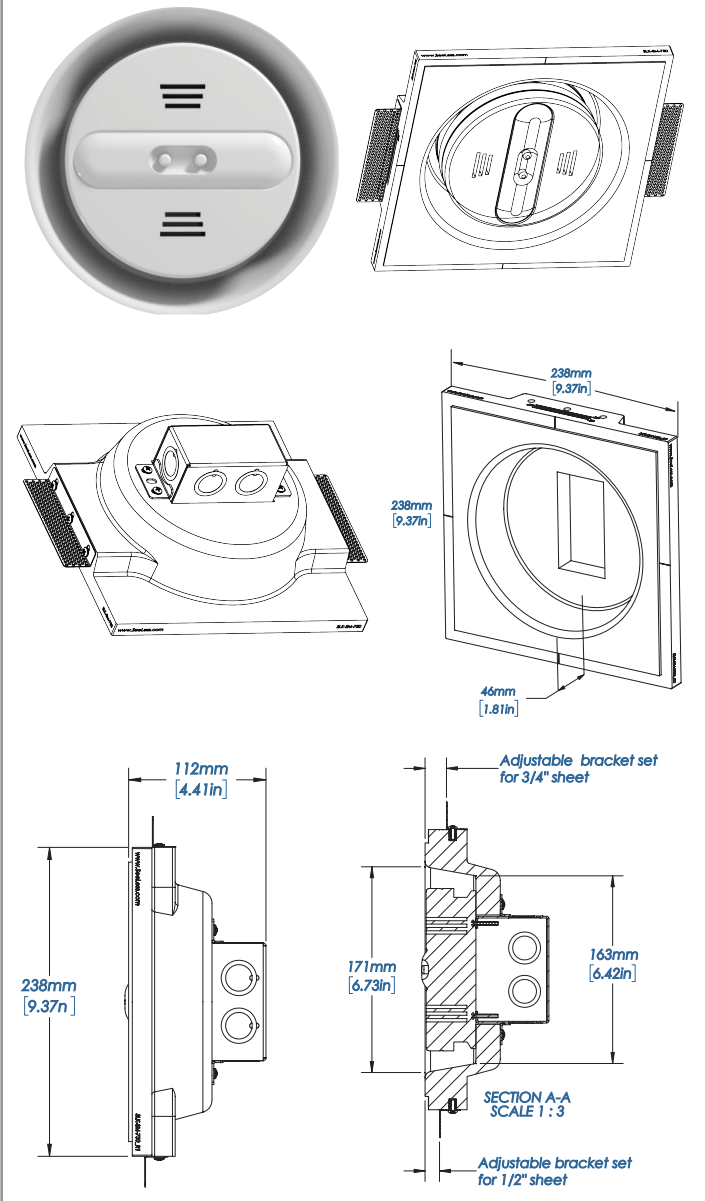
Project Name: \_\_\_\_\_

Location: \_\_\_\_\_

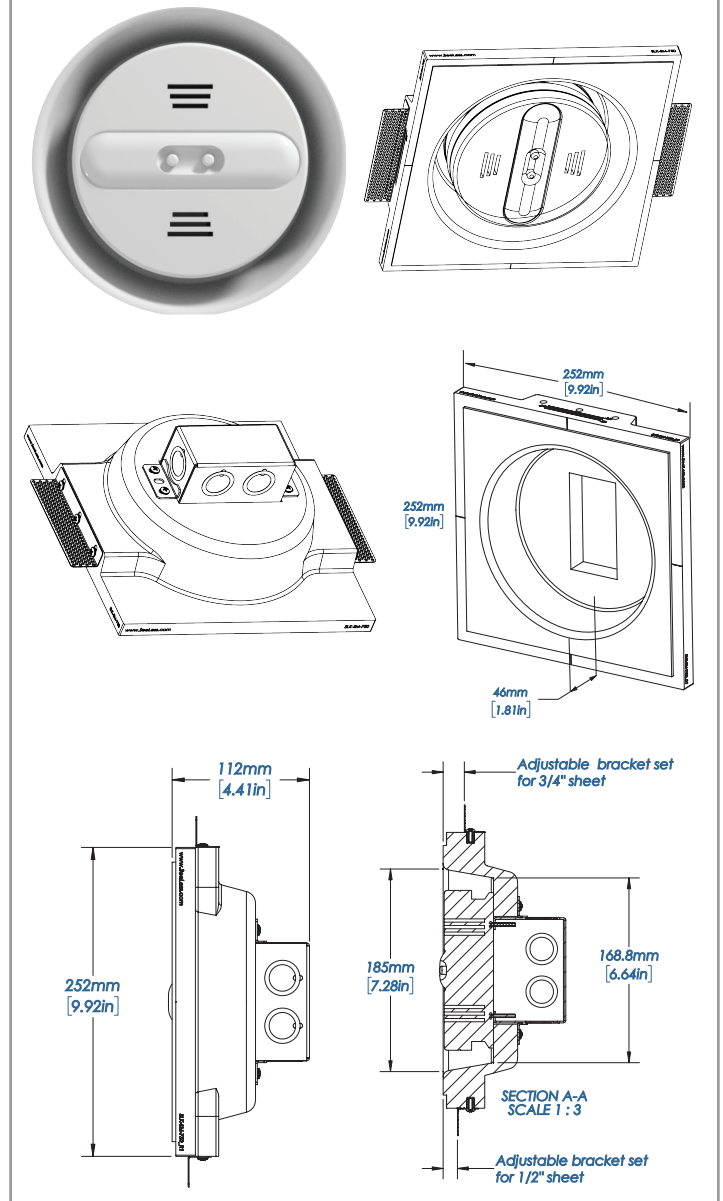
## SLK-SM-500/750 Smoke Alarm Recess Platform

**SeeLess Solutions** manufactures revolutionary patented mounting platforms designed to minimize clutter and enhance the overall appearance and finish of all wiring devices, thermostats, smoke detectors, sensors and more. Our gypsum platform enables you to take devices that are currently surface-mounted and provides them with the ability for seamless recessed integration with a beautifully designed minimal reveal. **SeeLess Solutions** delivers a minimalistic modern design adaptable to any residential & commercial environments.

### SLK-SM-500



### SLK-SM-750



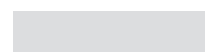
### Product Ordering

SLK-SM-500



Quantity

SLK-SM-750



Quantity