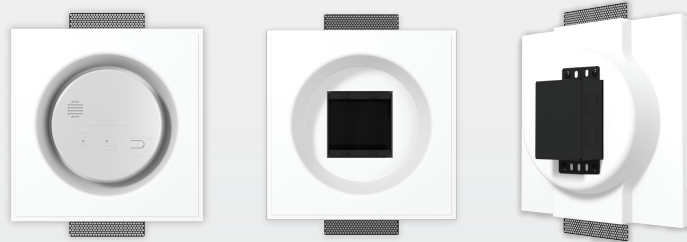


SMOKE ALARM

Recess Platform



Smoke alarms are required by law on every level of the home, outside sleeping areas, and inside bedrooms. SeeLess flush mounts are designed to complement your home aesthetics by keeping the bulk of these life saving devices completely out of sight. The extra space in two gang masonry box of SLK-SM2-1000 platform will also provide flexibility to integrate alarm monitoring into the smoke detector & to separate the high voltage from low voltage with an inner blank separator partition.



Key Features:

- *Seamless recessed integration in drywall applications*
- *Significantly improves aesthetics*
- *Simplified installation process*
- *Sustainable & green building material*
- *Brackets adjust to 3/4", 5/8", & 1/2" drywall*
- *Accommodates Class 1 and Class 2 electrical wiring devices*
- *UL Electrical back box & mounting hardware included*
- *Compatible with most industry standard, round devices and brands (fit may vary)*

SLK-SM2-1000



Project Information

Model Type: _____

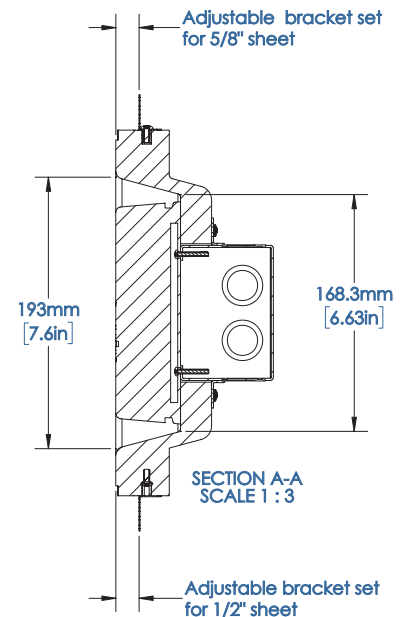
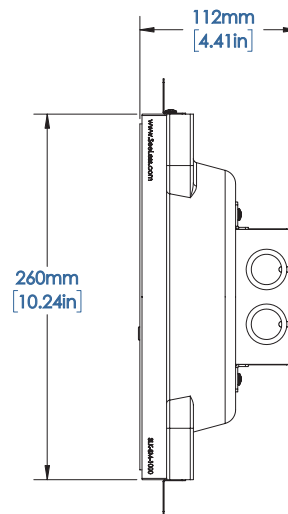
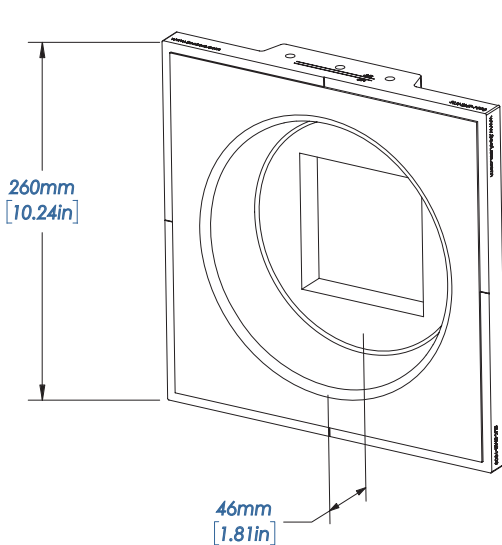
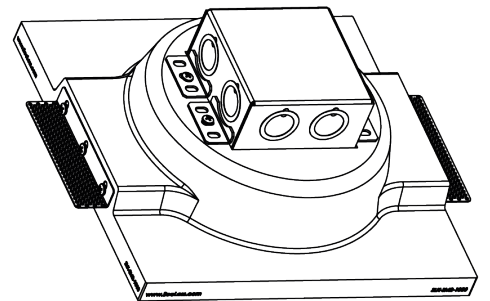
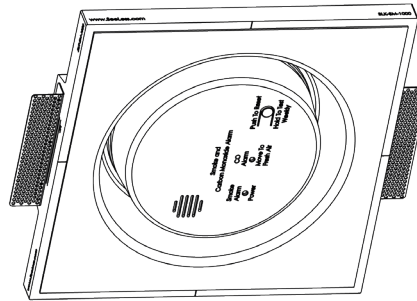
Project Name: _____

Location: _____

SLK-SM2-1000 Smoke Alarm Recess Platform

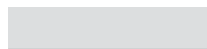
SeeLess Solutions manufactures revolutionary patented mounting platforms designed to minimize clutter and enhance the overall appearance and finish of all wiring devices, thermostats, smoke detectors, sensors and more. Our gypsum platform enables you to take devices that are currently surface-mounted and provides them with the ability for seamless recessed integration with a beautifully designed minimal reveal. **SeeLess Solutions** delivers a minimalistic modern design adaptable to any residential & commercial environments.

SLK-SM2-1000



Product Ordering

SLK-SM2-1000



Quantity