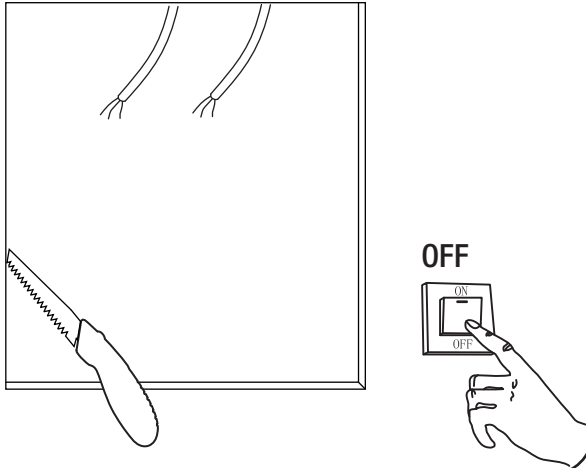


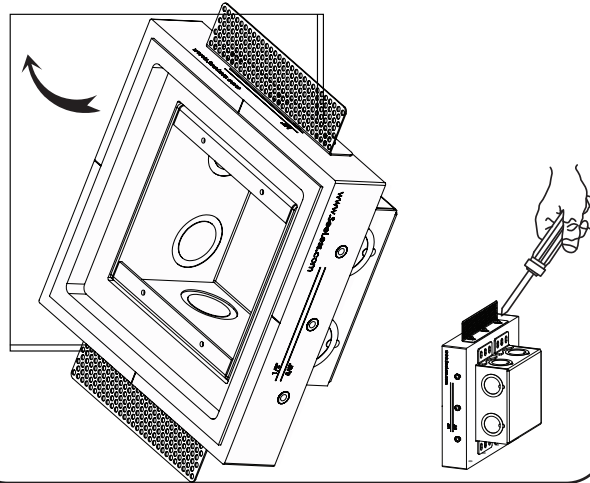
INSTALL GUIDE FOR SLD-1G-2G-3G-4G - REMODEL/RETROFIT

ATTENTION! - Always make sure power has been cut off before attempting any installation

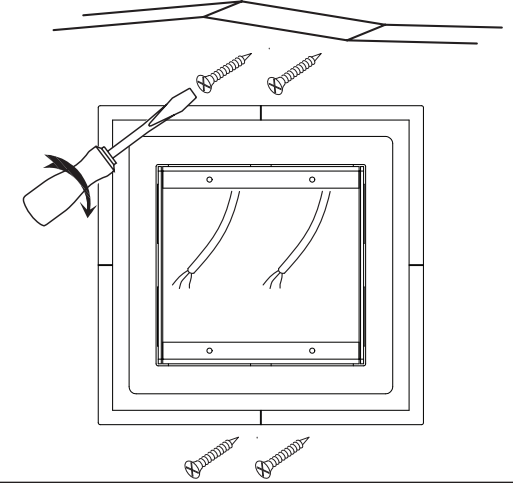
1 Cut a hole in drywall at the desired location



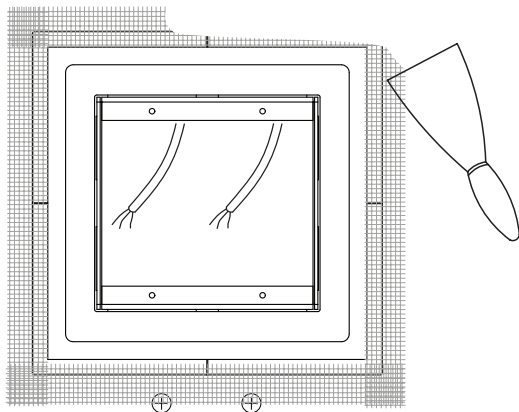
2 Insert SeeLess platform in angle



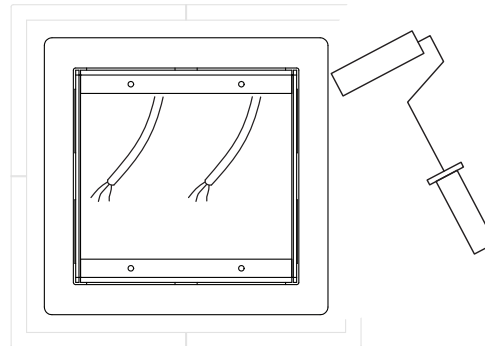
3 Level and secure SeeLess platform using drywall screws



4 Patch with mesh and drywall compound



5 Sand surface smooth and paint



6 Install finish

