

# TOUCH PANELS Platforms



Suited for any aesthetic, a fusion of our trimless styling and functional design will enhance your space & deliver seamless integration of the latest touch screen models. Our SLD-TP mounts are compatible with most 7" & 10" industry standard designer style devices, such as Crestron.



Available in 2 sizes

## Key Features:

- *Integrated mounting hardware & a universal 2 gang (class 1/class 2) back box makes it easy to install in a new construction or a remodel.*
- *Adaptable to SeeLess 1-gang 4" Box Extension Mud Ring for use with standard electrical 4" back box.*
- *Built with Wi-Fi & environmentally friendly materials.*
- *Versatility to suit portrait or landscape mounting applications.*
- *Future-proof design provided by the reveal details.*
- *Flush mounted trimless and seamless design.*
- *5 year warranty.*

### SLD-TPS-500



### SLD-TPL-500



## Project Information

Model Type: \_\_\_\_\_

Project Name: \_\_\_\_\_

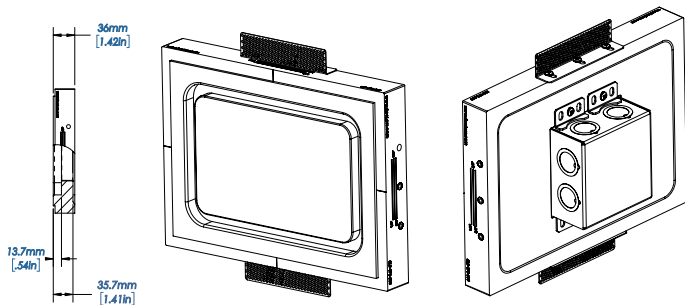
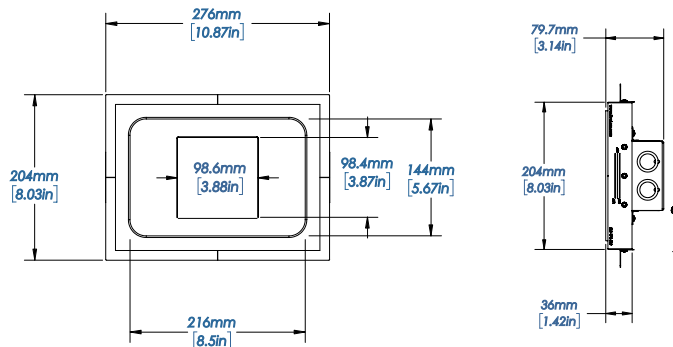
Location: \_\_\_\_\_

## SLD-TPS-500/SLD-TPL-500

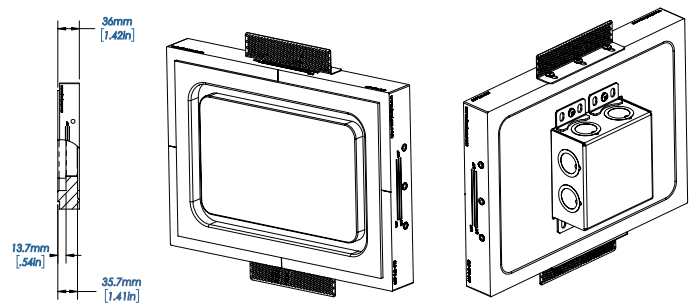
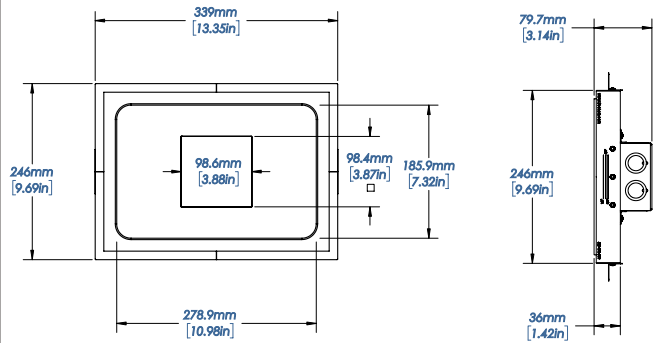
## Touch Panels & iPad Platforms

**SeeLess Solutions** manufactures revolutionary patented mounting platforms designed to minimize clutter and enhance the overall appearance and finish of all wiring devices, thermostats, smoke detectors, sensors and more. Our gypsum platform enables you to take devices that are currently surface-mounted and provides them with the ability for seamless recessed integration with a beautifully designed minimal reveal. **SeeLess Solutions** delivers a minimalistic modern design adaptable to any residential & commercial environments.

### SLD-TPS-500



### SLD-TPL-500



## Product Ordering

### SLD-TPS-500



Quantity

### SLD-TPL-500



Quantity