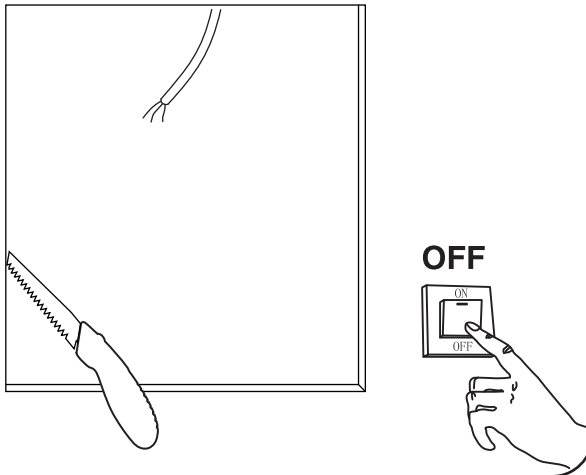


# INSTALL GUIDE FOR SLD-TPC410-375 AND TPC48-375 - REMODEL/RETROFIT

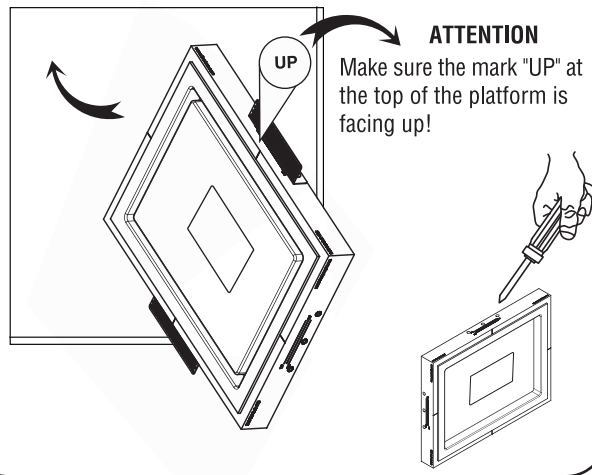


ATTENTION! - Always make sure power has been cut off before attempting any installation

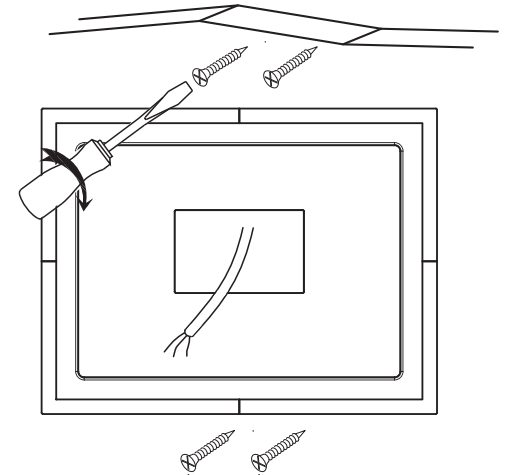
**1** Cut a hole in the drywall at the desired location.



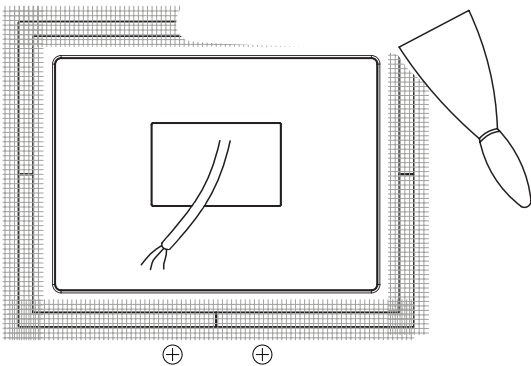
**2** Insert Seeless platform at an angle.



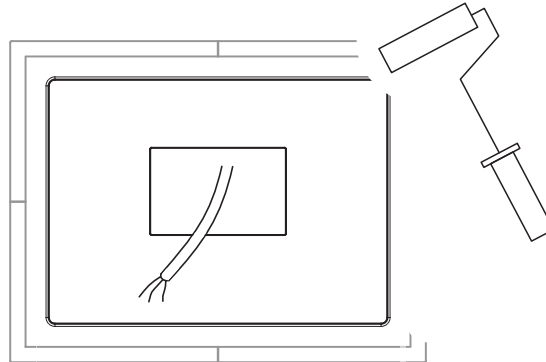
**3** Level and secure SeeLess platform using drywall screws. Don't over crank with power drill not to crack the gypsum.



**4** Patch with mesh and drywall compound.



**5** Sand surface smooth and paint.



**6** Install finish.

