

Project Information

Model Type: _____

Project Name: _____

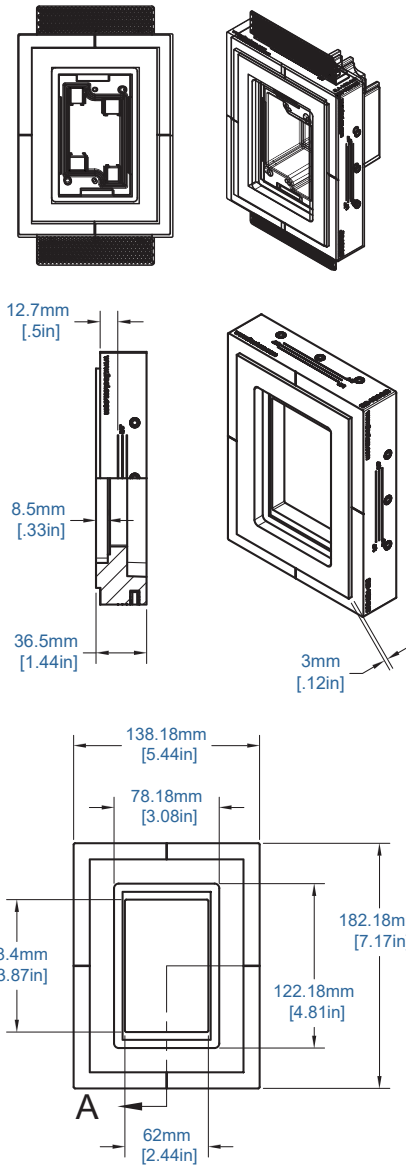
Location: _____

SLD-1GR-062/2GR/3GR

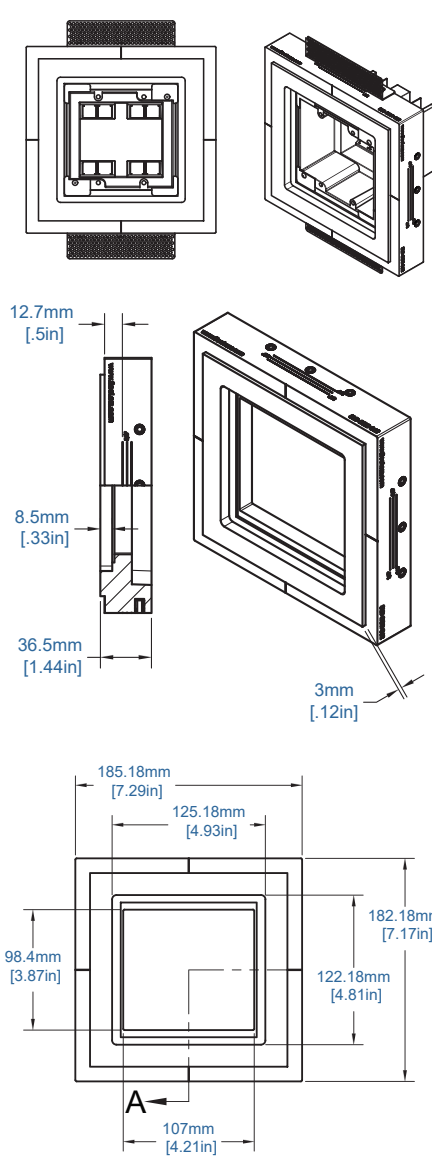
DESIGNER STYLE

This Designer style in-wall mounting platform comes in a 1/16" reveal and available in 1-3 gangs. It features soft rounded corners and clean finishing transitions, making it a perfect styling selection for a modern, minimalist look. This will be a fix and permanent solution to use with the Carlon old work plastic box & also work with Carlon Mud ring. The main advantage is that the box & ring will be installed from the front and available everywhere for purchase (including Home Depot). We don't supply the box to make our packages smaller, lighter, & much more affordable to ship.

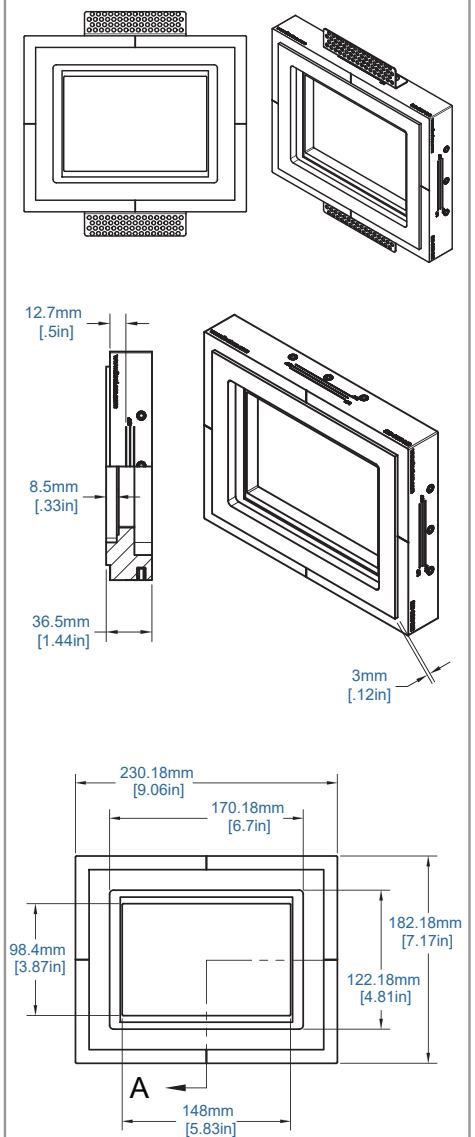
SLD-1GR-062



SLD-2GR-062



SLD-3GR-062



Key Features

- Soft rounded corners
- Reveal: 1/16" (measured around Lutron devices)
- Seamless recessed integration
- Paintable level five plaster finish
- Mounting brackets included
- Brackets adjust to 3/4", 5/8", and 1/2" drywall
- Accommodates Class 1 and Class 2 electrical wiring devices
- Compatible with Carlon Old Work Box
- Compatible with Carlon Mud Ring
- Compatible with Lutron Designer style plates, dimmers, switches, and most electrical wiring devices, including Decora style receptacles, switches, outlets, dimmers, and motion sensors
- Carlon Old Work Box & Carlon Mud Ring are not included