

ARCHITECTURAL Bevel Platforms



Key Features:

- *Seamless recessed integration in drywall applications*
- *Significantly improve aesthetics*
- *Simplified installation process*
- *Sustainable & green building material*
- *Brackets adjust to 5/8" & 1/2" drywall*
- *Accommodate Class 1 and Class 2 electrical wiring devices*
- *Compatible with most leading manufacturer's plates*
- *Adaptable to SeeLess 1-gang 4" Box Extension Mud Ring for use with standard electrical 4" back box.*
- *Available in 1/16" reveal*

SLAB-1G	SLAB-2G	SLAB-3G



Model Type: _____

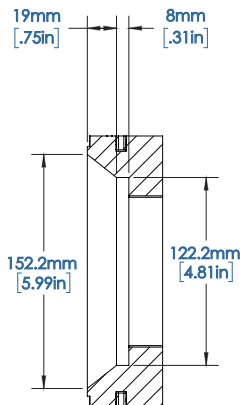
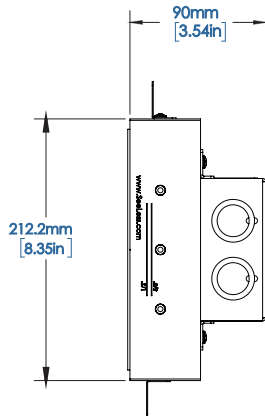
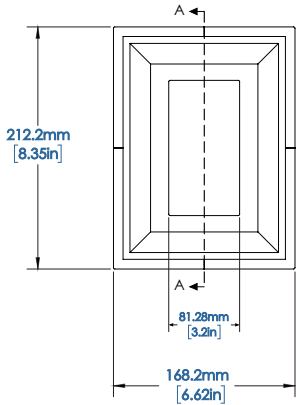
Project Name: _____

Location: _____

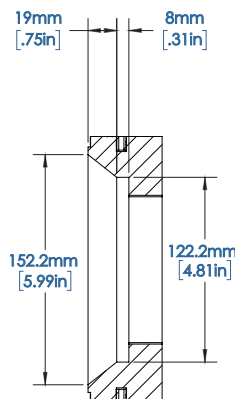
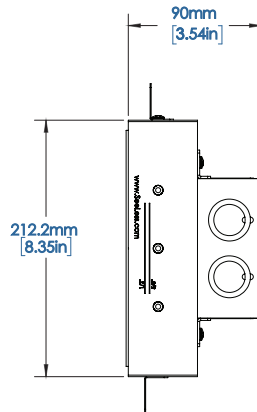
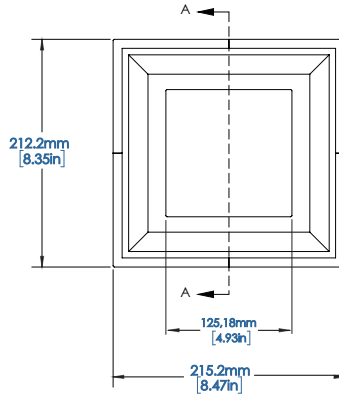
SLAB-1G/2G/3G/4G

Architectural Bevel Style

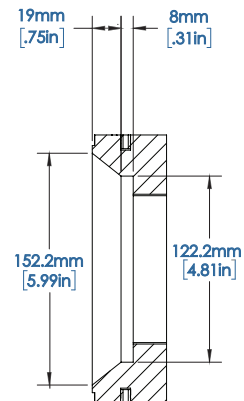
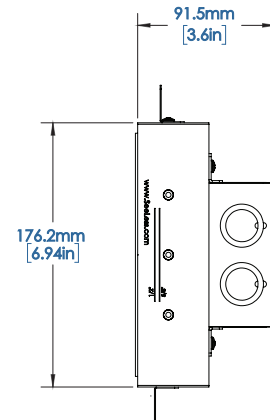
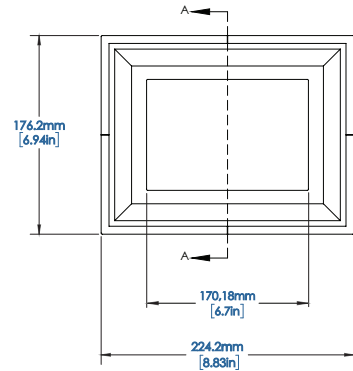
SLAB-1G-062



SLAB-2G-062

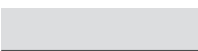


SLAB-3G-062



SLAB-1G-062

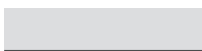
Reveal: 0.0625 in.



Quantity

SLAB-2G-062

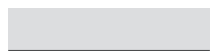
Reveal: 0.0625 in.



Quantity

SLAB-3G-062

Reveal: 0.0625 in.



Quantity