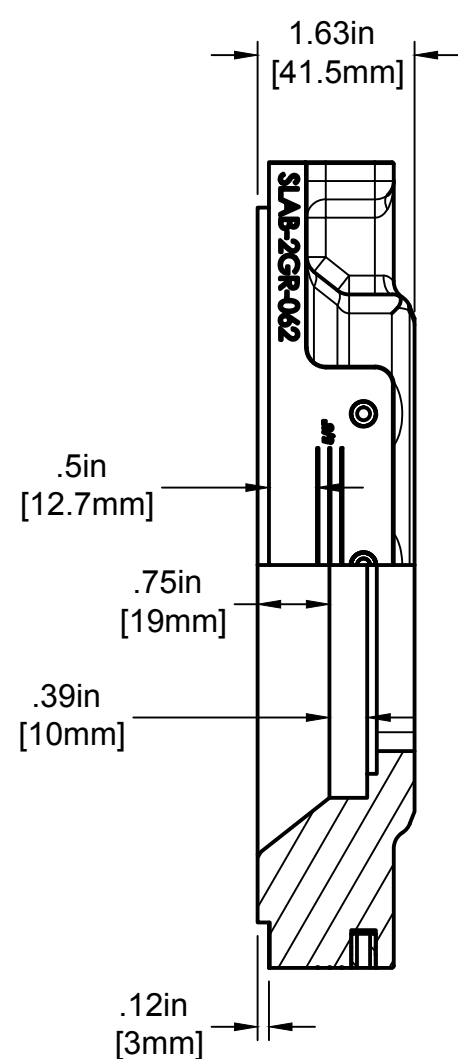
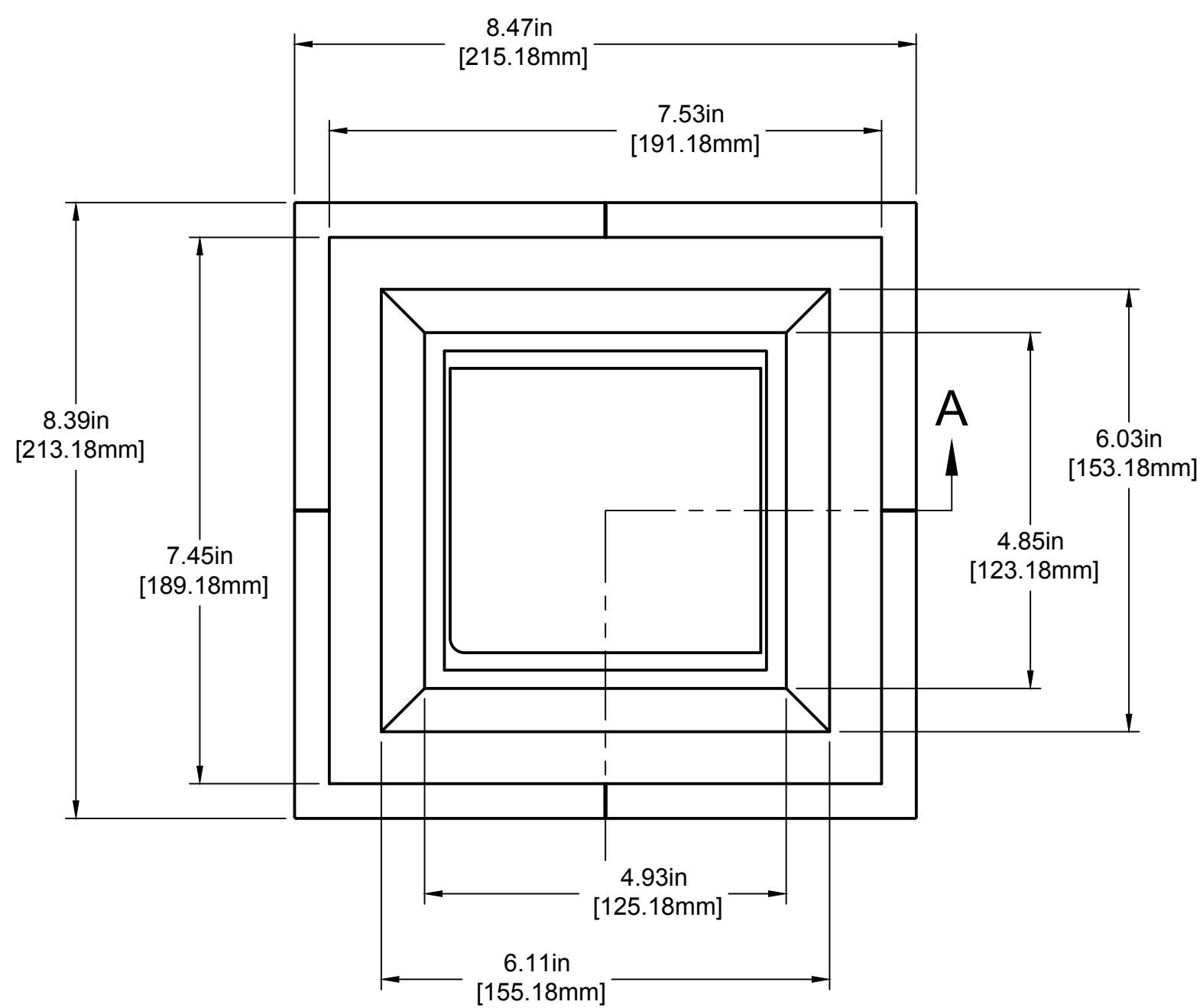
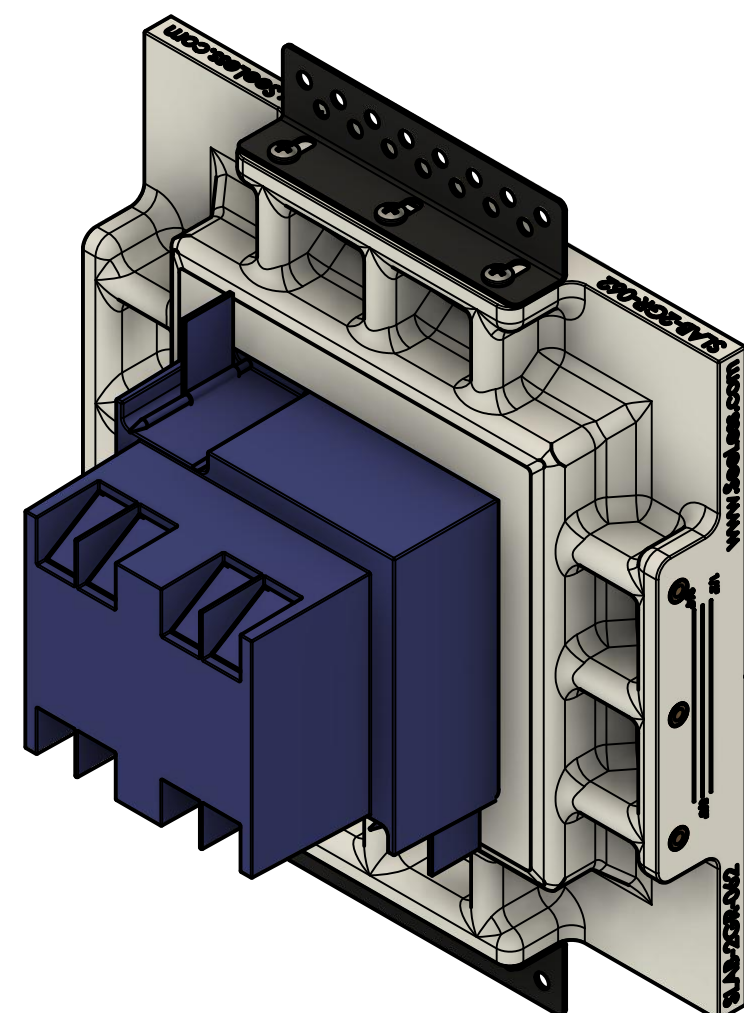
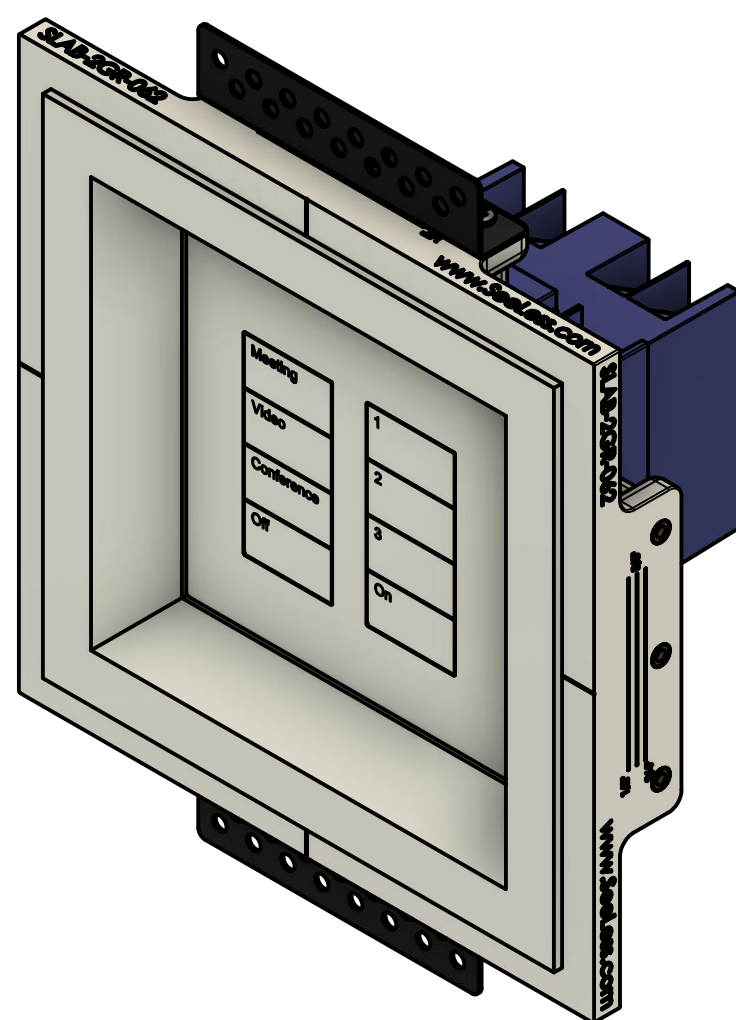
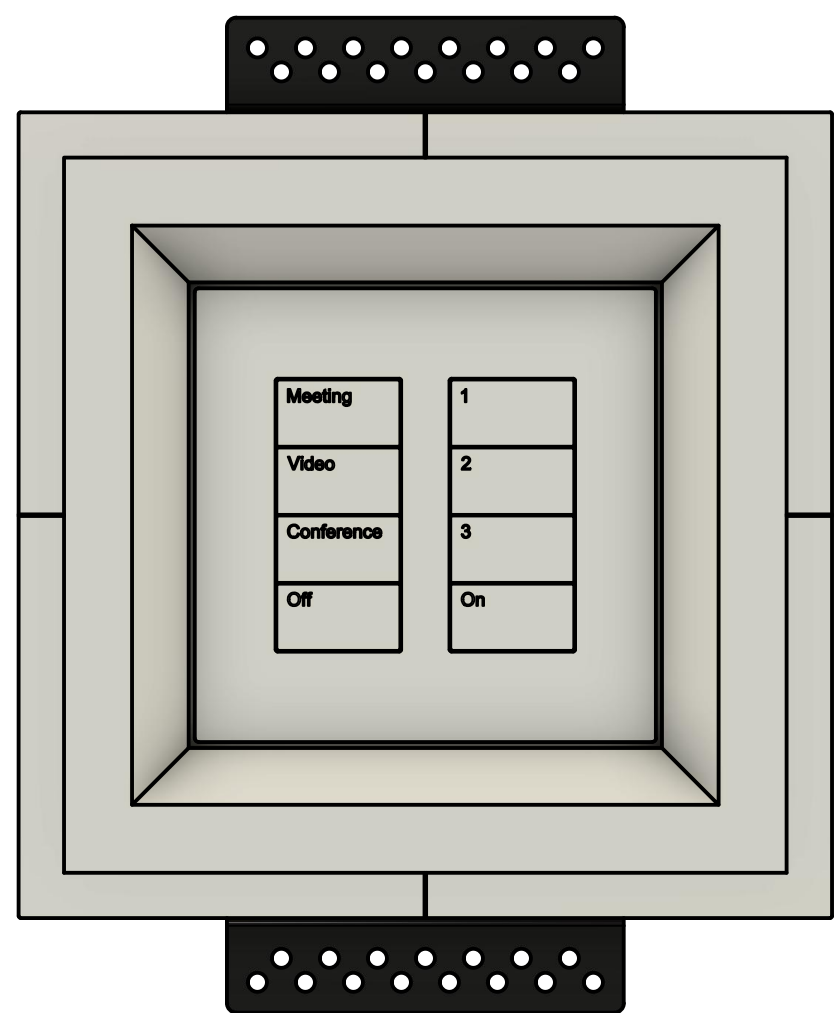


4

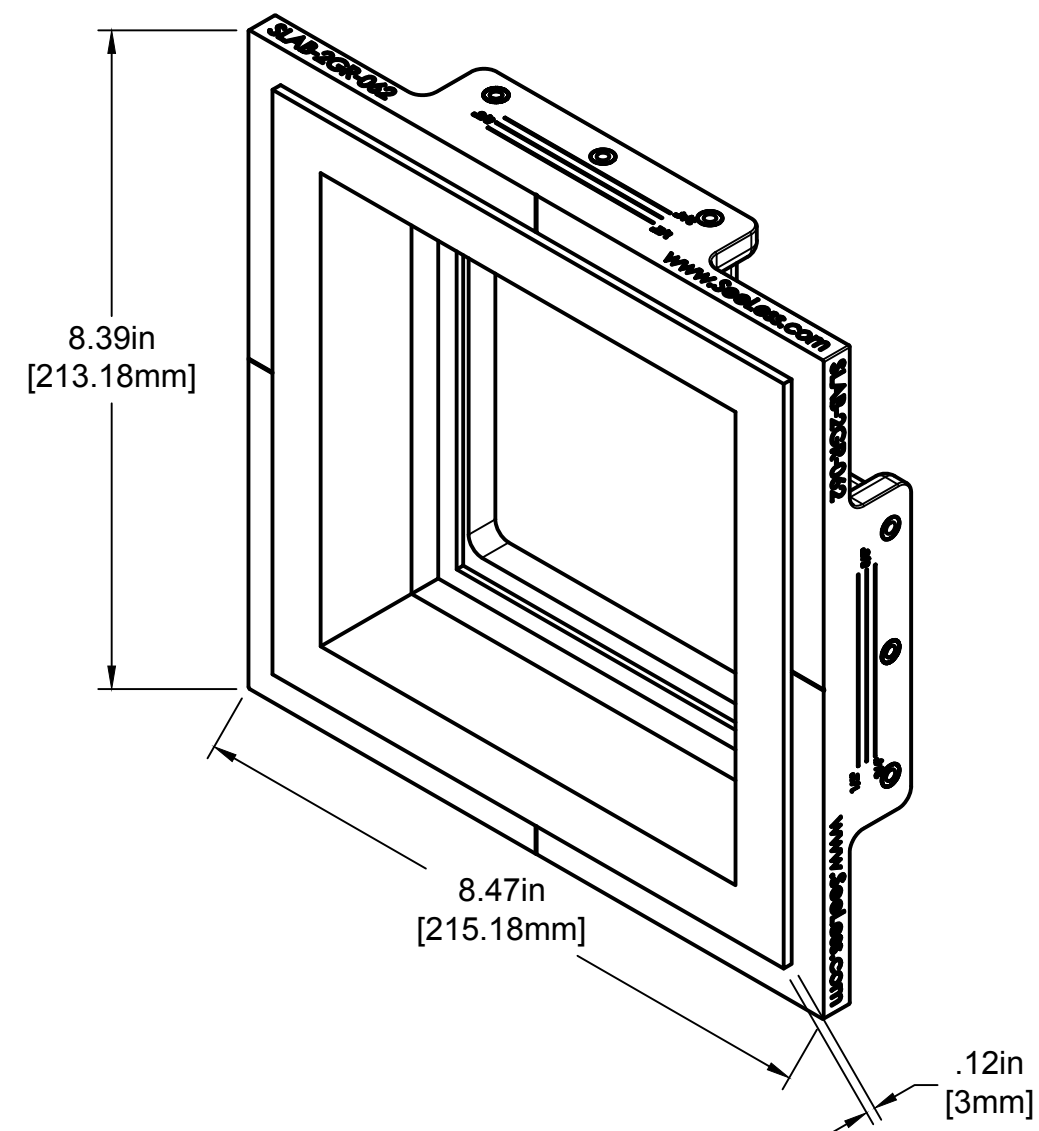
3

2

1



SECTION A-A
SCALE 1:2



| | | | |
|---------|--------|--------------|-------------------------------|
| PROJECT | | SeeLess | |
| SIZE | MODEL# | SLAB-2GR-062 | |
| C | | | |
| SCALE | 1:2 | WEIGHT | DRAWN Roman Korshunov 9/26/23 |

4

3

2

1

D

D

C

C

B

B

A

A