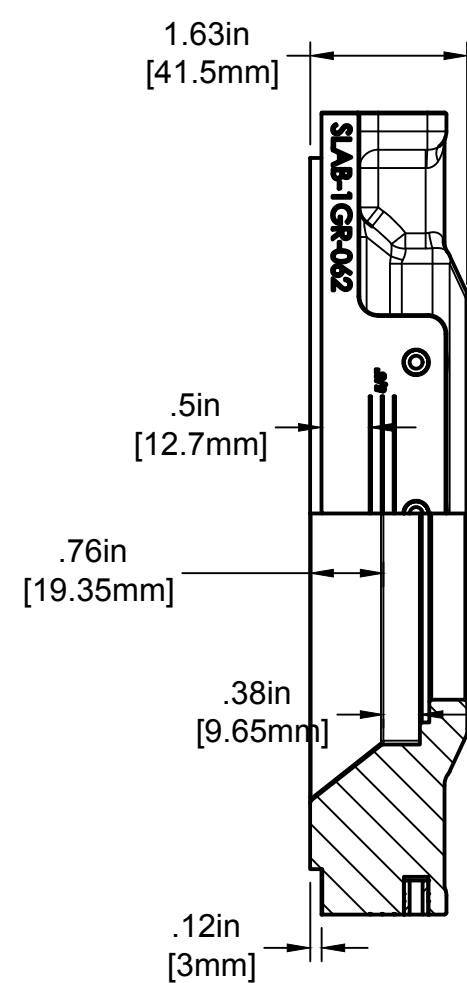
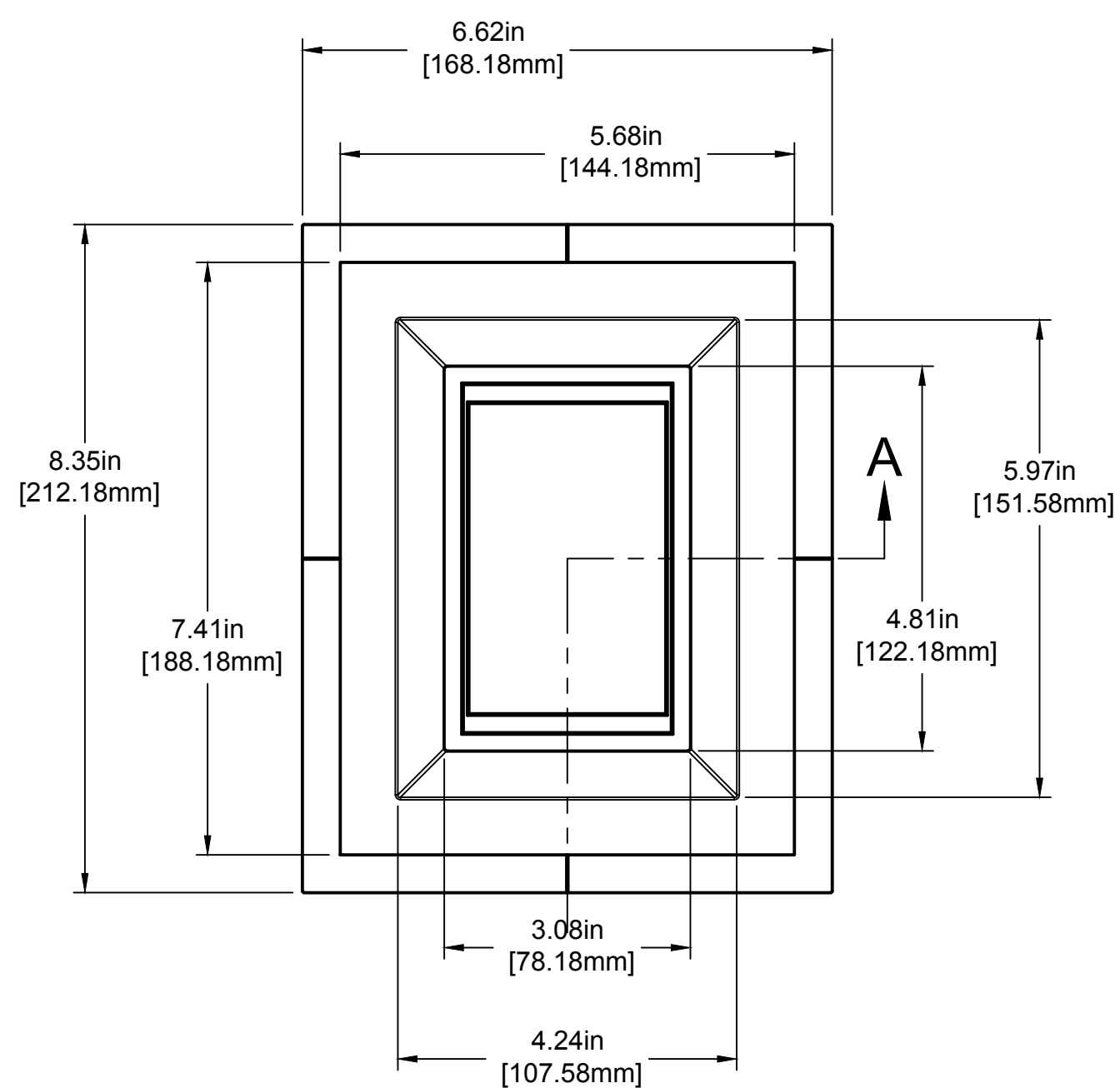
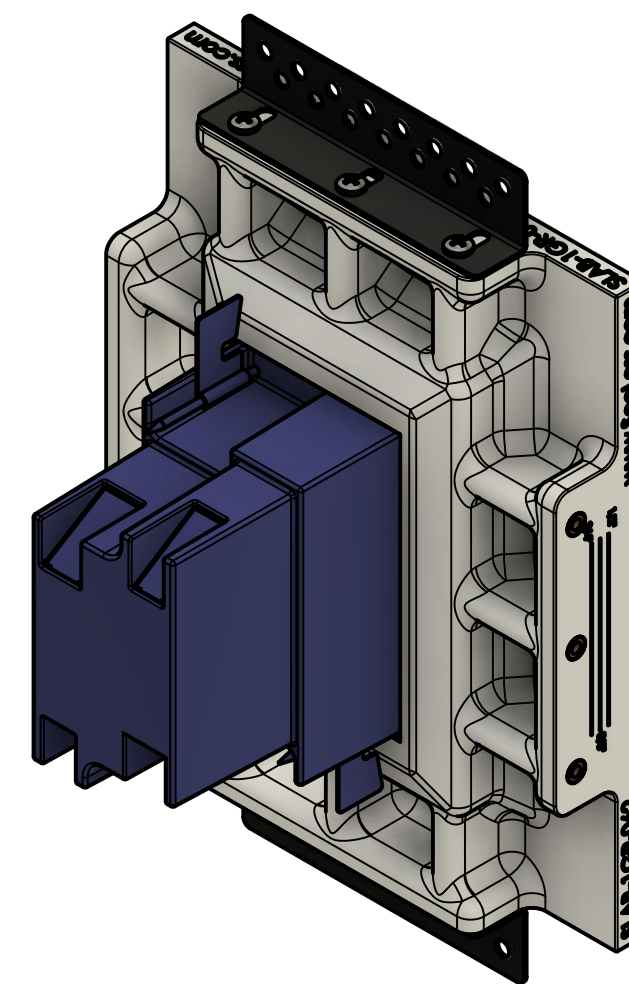
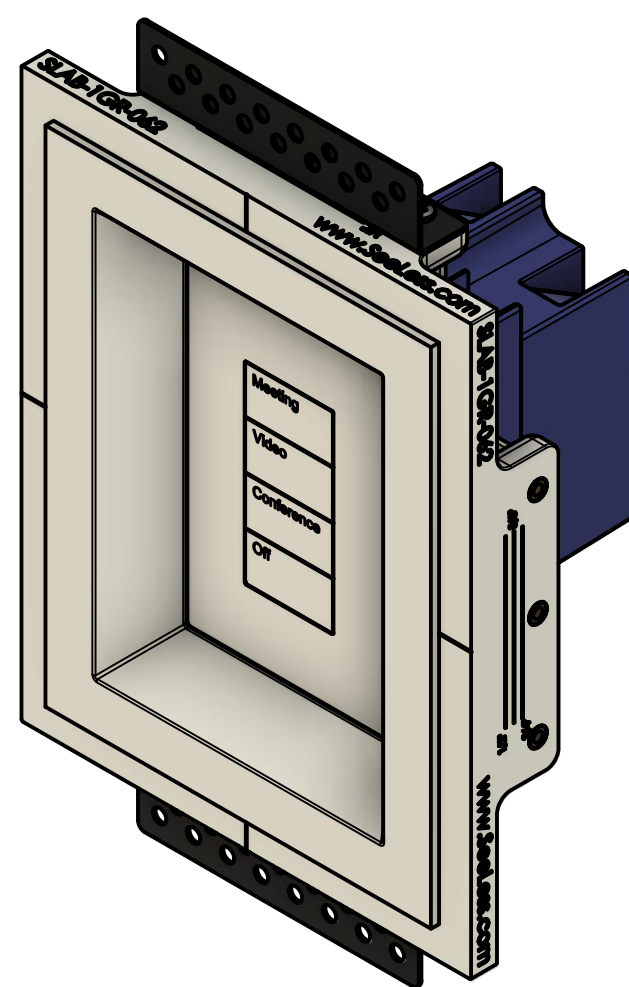
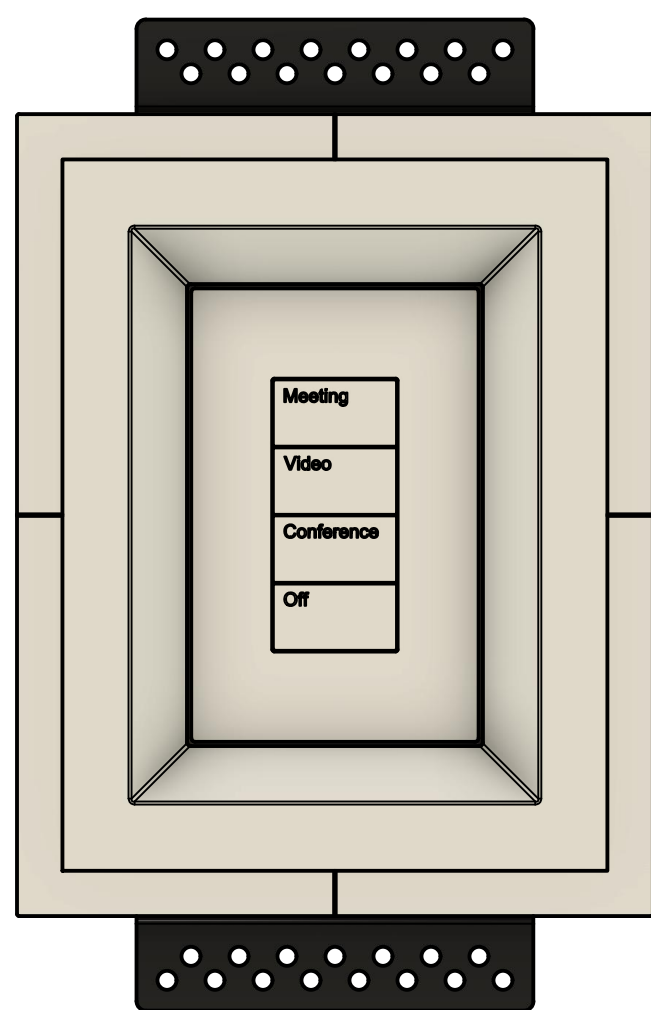


4

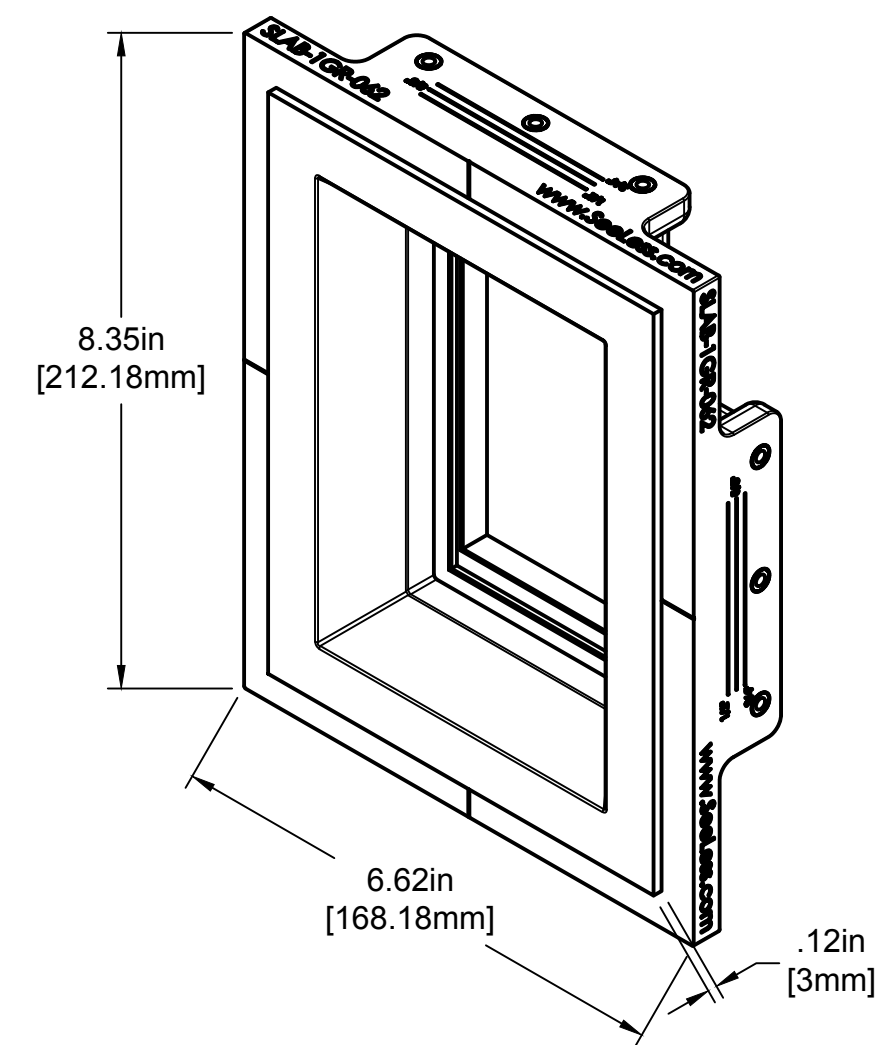
3

2

1



SECTION A-A
SCALE 1:2



PROJECT		SeeLess	
SIZE	MODEL#	SLAB-1GR-062	
C			
SCALE	1:3	WEIGHT	DRAWN Roman Korshunov 9/22/23

4

3

2

1

D

D

C

C

B

B

A

A