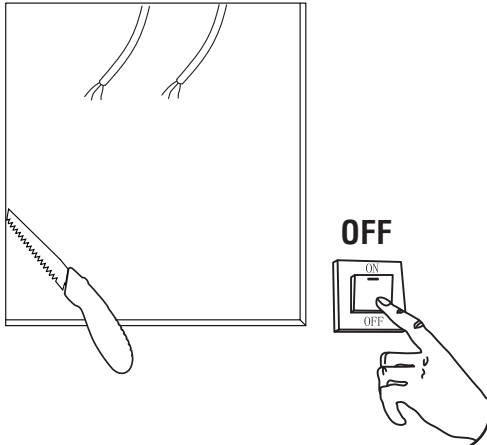


INSTALL GUIDE FOR SLA-TSHZ-062 - REMODEL/RETROFIT

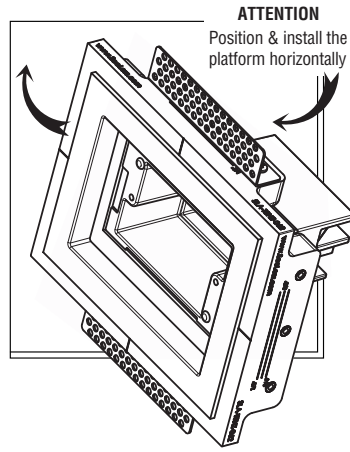
ATTENTION! - Always make sure power has been cut off before attempting any installation



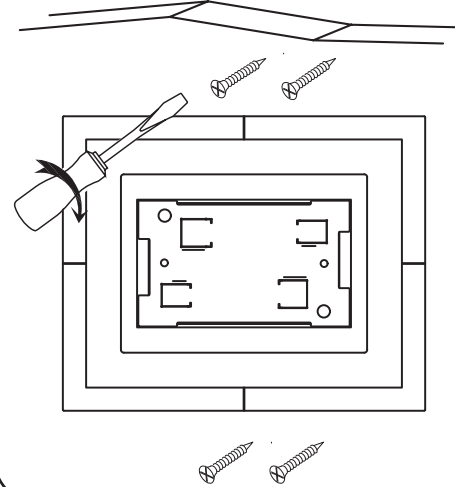
- 1** Cut a hole in the drywall at the desired location.



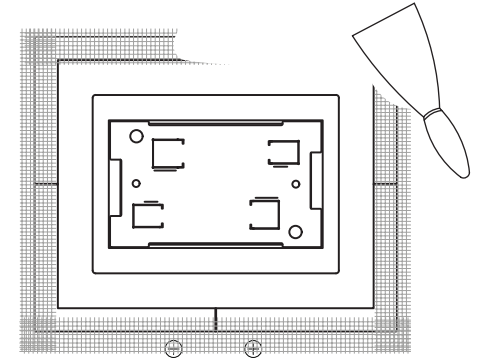
- 2** Insert Seeless platform at an angle.



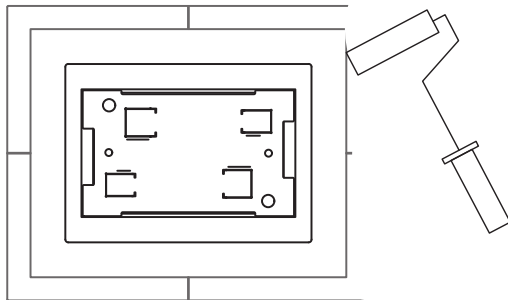
- 3** Level and secure SeeLess platform using drywall screws.



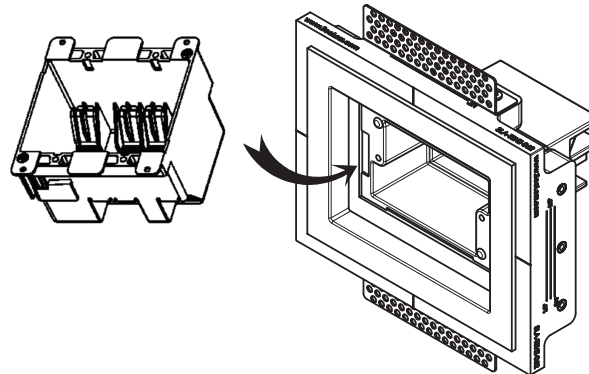
- 4** Patch with mesh and drywall compound.



- 5** Sand surface smooth and paint.



- 6** Attach Carlon old work plastic box or Carlon mud ring to the platform.



*Carlon box/ring not supplied

- 7** Install the device.

