

Project Information

Model Type: _____

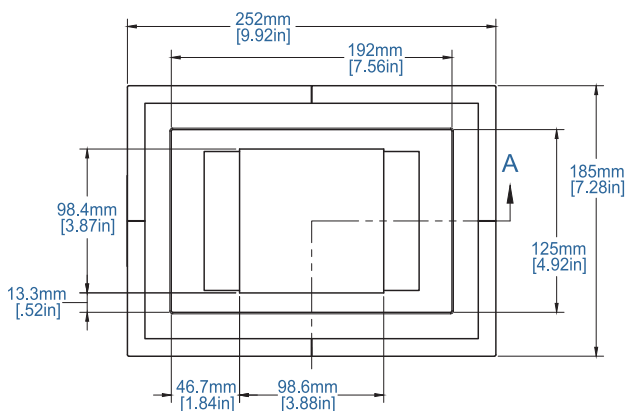
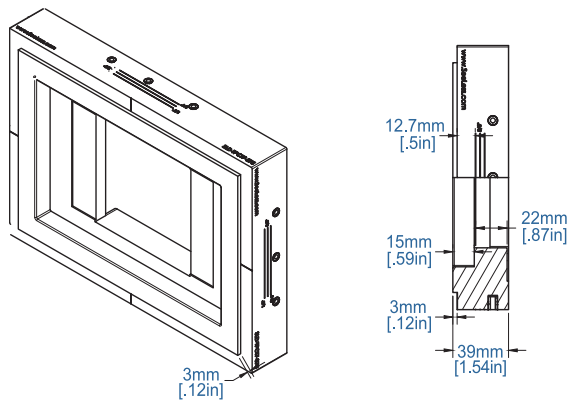
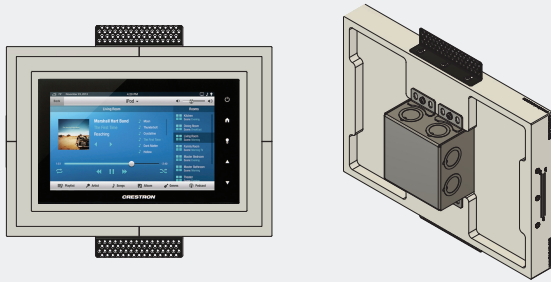
Project Name: _____

Location: _____

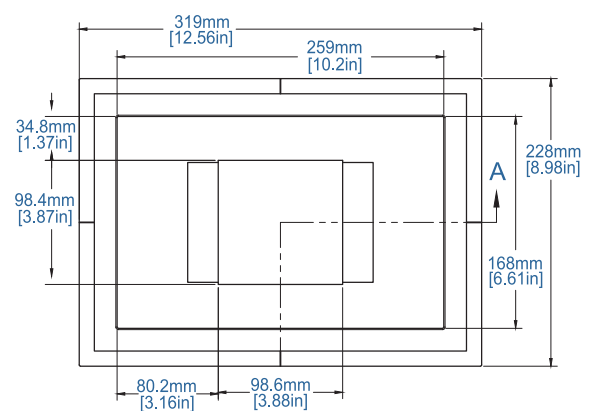
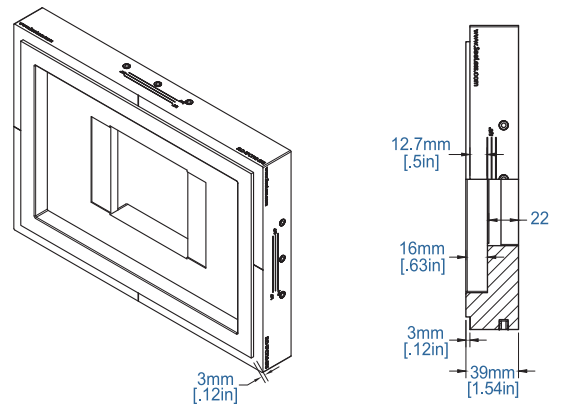
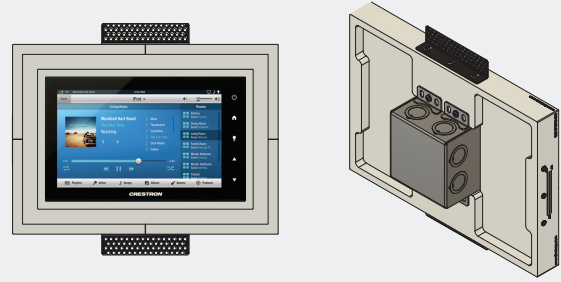
SLA-TPCT7-375/SLA-TPCT10-375

Built for a wide array of home aesthetics, this platform is the union of trim-free style with optimal functionality to increase interior space and provide truly seamless integration for Creston touch panels 70 series to mount to a two gang backbox. The SLA-TPCT7-375 mount is fully functional with a 7" Creston touch panel, and the SLA-TPCT10-375 accommodates the 10" device.

SLA-TPCT7-375



SLA-TPCT10-375



Key Features

- The universal two gang back box (class1/class2) and mounting hardware included
- Leaves a 3/8" reveal around the 10" industry Creston 70 Series touch panels
- Made with Wi-Fi friendly green materials
- Capable of supporting both landscape and portrait mounting applications
- Future-proof design assured by the reveal details
- A completely seamless and trimless design highlighted by flush mounting
- Functional with Creston 70 series and other similar device makers
- U.S. and Int'l Patents: www.seeless.com/patents
- Brackets adjust to 3/4", 5/8" and 1/2" drywall
- Paintable level five plaster finish