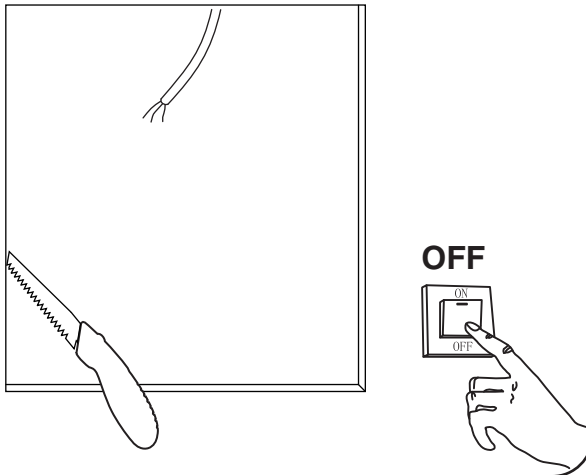


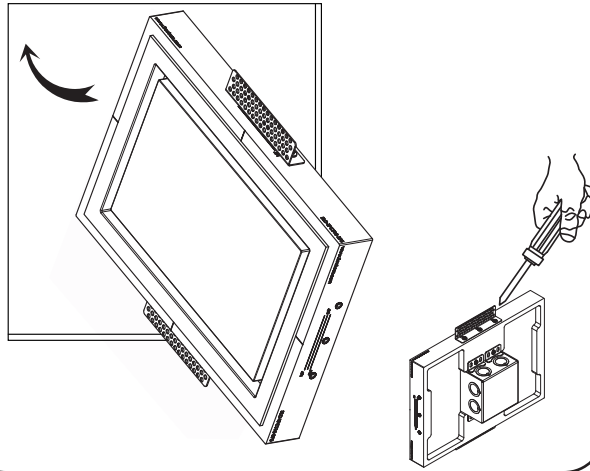


ATTENTION! - Always make sure power has been cut off before attempting any installation

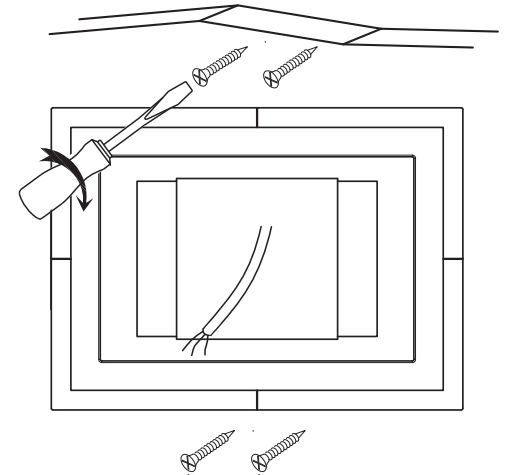
1 Cut a hole in drywall at the desired location.



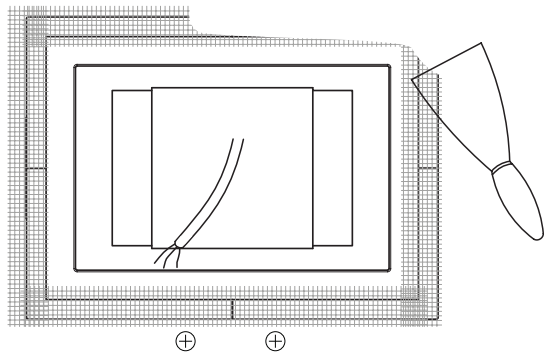
2 Insert SeeLess platform in angle.



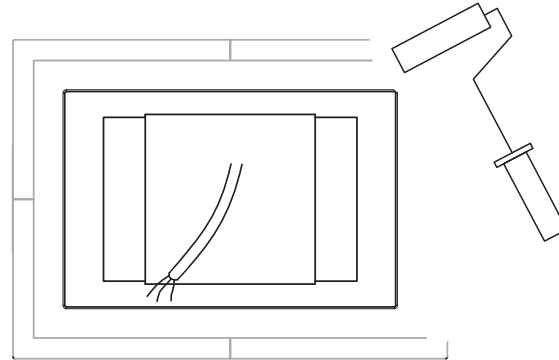
3 Level and secure SeeLess platform using drywall screws. Don't over crank with power drill not to crack the gypsum.



4 Patch with mesh and drywall compound.



5 Sand surface smooth and paint.



6 Install finish.

