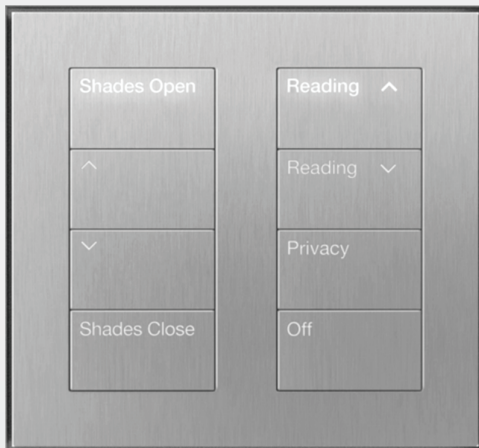


LUTRON ONE GANG 2 COLUMN INTERNATIONAL ARCHITECTURAL STYLE PALLADIOM



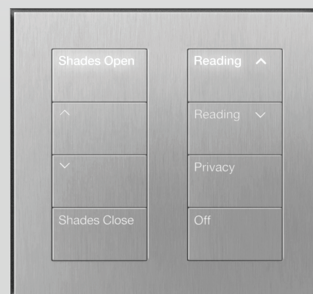
This in-wall mounting platform significantly improves the geometry of walls by seamlessly embedding keypads into the wall, creating elegant lines and finishing transitions. This modern switch plate can complete the look and style of your home. For a sleek and modern finish, add these in-wall mounting platforms to your home.



Key Features:

- *Square corners*
- *Seamless recessed integration*
- *Paintable level five plaster finish*
- *Mounting hardware included*
- *Brackets adjust to 5/8" and 1/2" drywall*
- *Accommodates Class 2 electrical wiring devices*
- *Compatible with Lutron Architectural Style International Keypads*

SLA-LP2C-062



Project Information

Model Type: _____

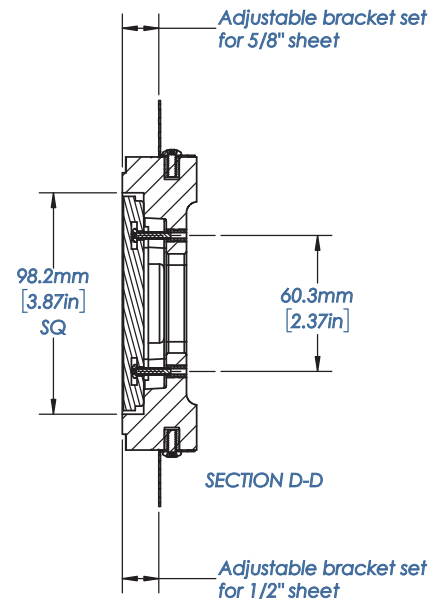
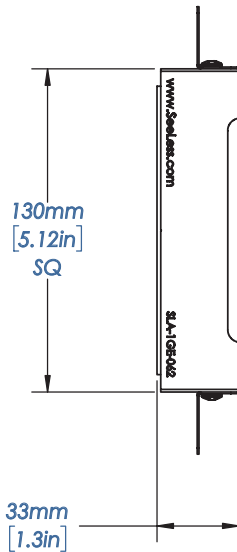
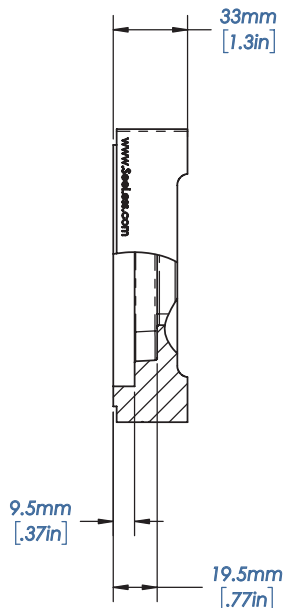
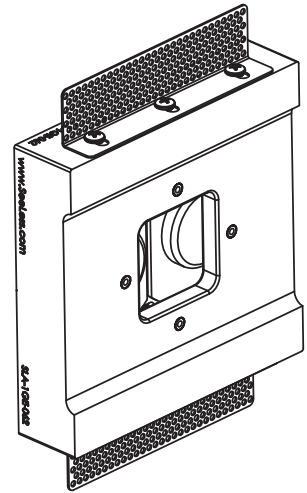
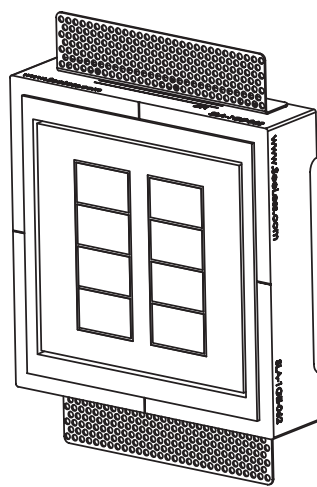
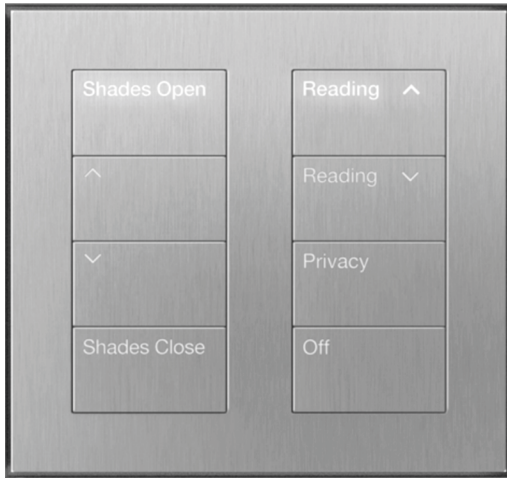
Project Name: _____

Location: _____

LUTRON ONE GANG 2 COLUMN INTERNATIONAL ARCHITECTURAL STYLE PALLADIOM

SeeLess Solutions manufactures revolutionary patented mounting platforms designed to minimize clutter and enhance the overall appearance and finish of all wiring devices, thermostats, smoke detectors, sensors and more. Our gypsum platform enables you to take devices that are currently surface-mounted and provides them with the ability for seamless recessed integration with a beautifully designed minimal reveal. **SeeLess Solutions** delivers a minimalistic modern design adaptable to any residential & commercial environments.

SLA-LP2C-062



Product Ordering

SLA-LP2C-062



Quantity