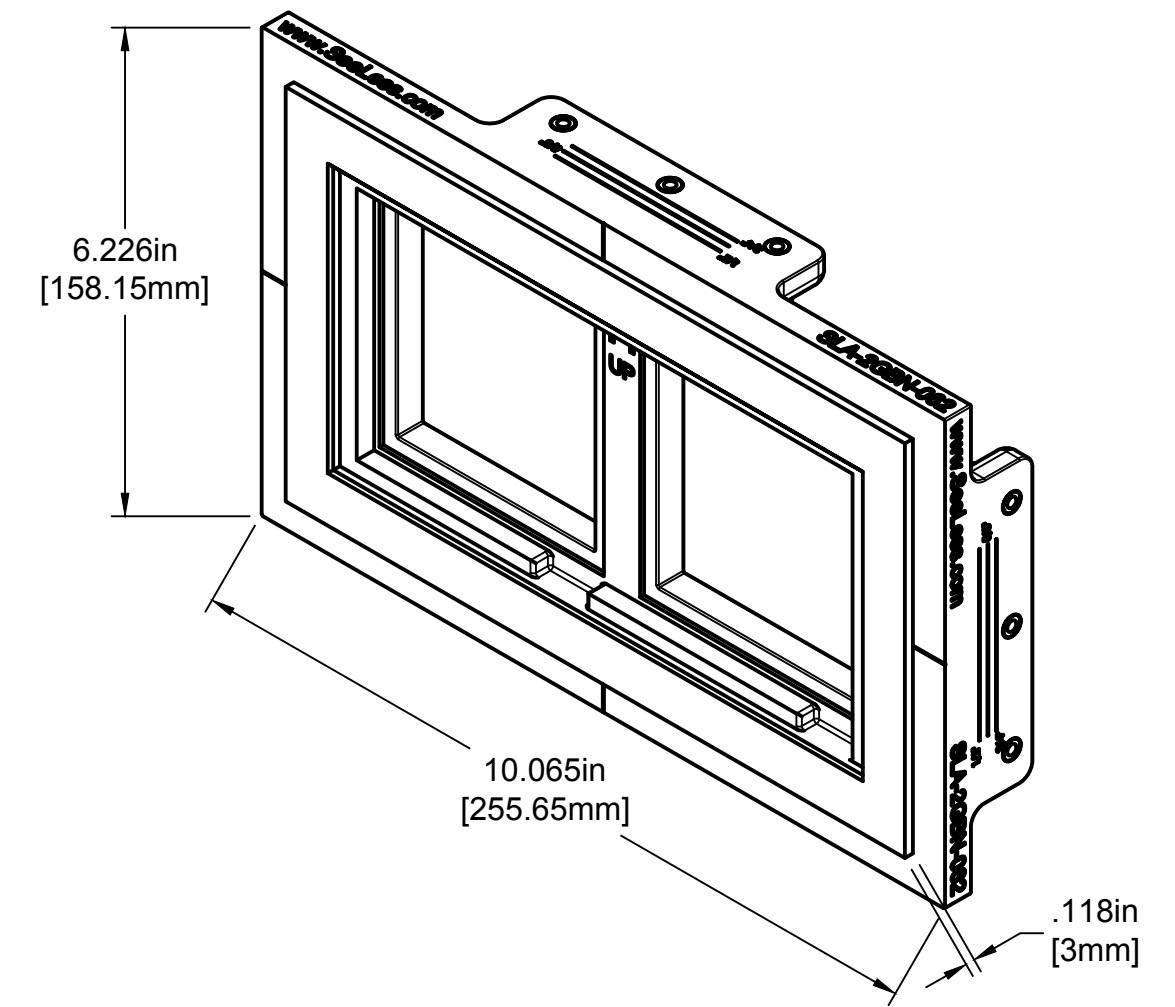


SECTION A-A  
SCALE 1:2



PROJECT	Black Nova		
SIZE	MODEL#	SLA-2GBN-062	
C			
SCALE 1:2	WEIGHT	DRAWN	Roman Korshunov 28/6/2023