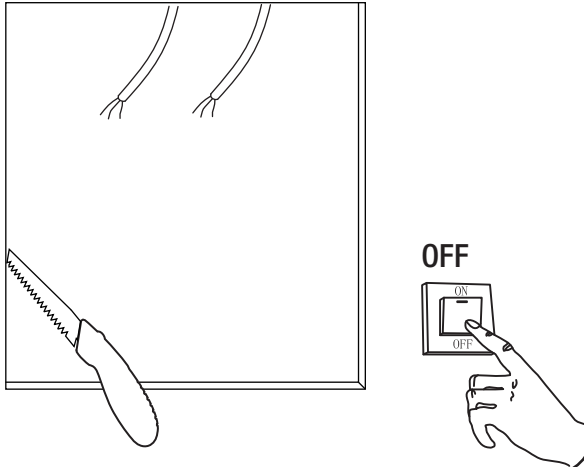


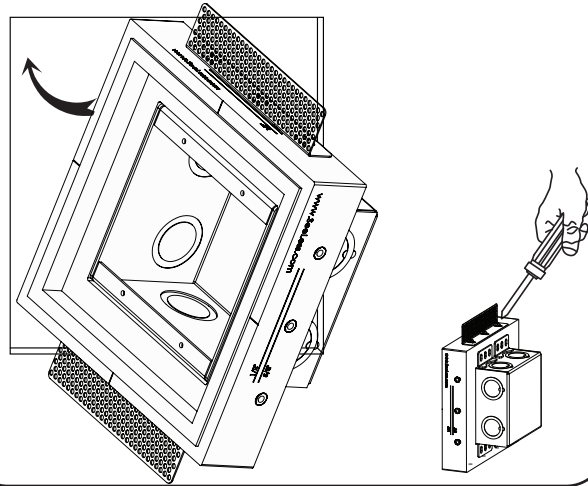
# INSTALL GUIDE FOR SLA-1G-2G-3G-4G - REMODEL/RETROFIT

**ATTENTION!** - Always make sure power has been cut off before attempting any installation

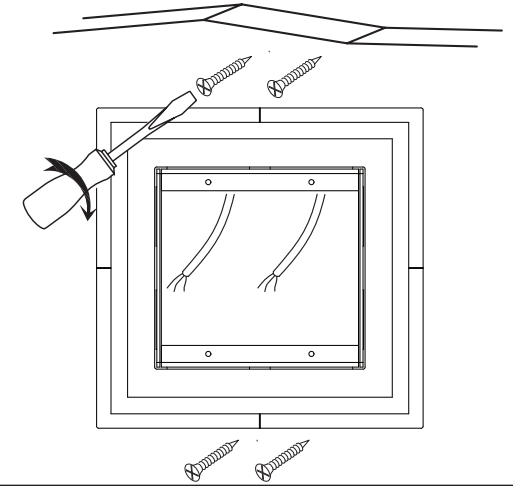
**1** Cut a hole in drywall at the desired location



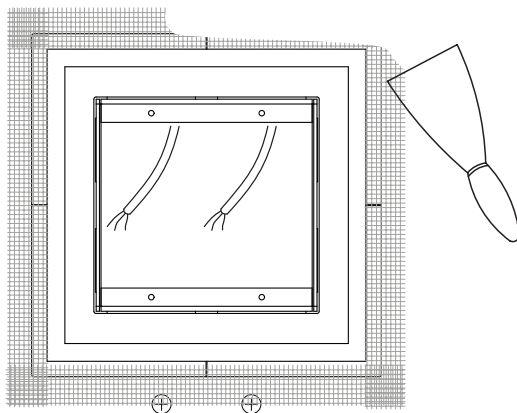
**2** Insert SeeLess platform in angle



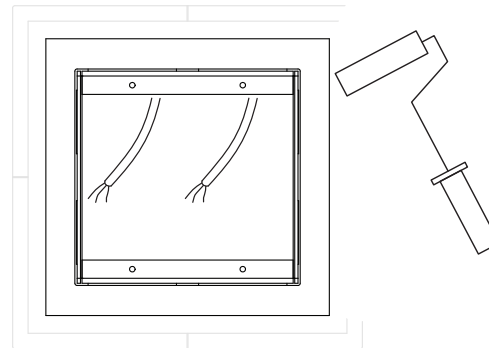
**3** Level and secure SeeLess platform using drywall screws



**4** Patch with mesh and drywall compound



**5** Sand surface smooth and paint



**6** Install finish

