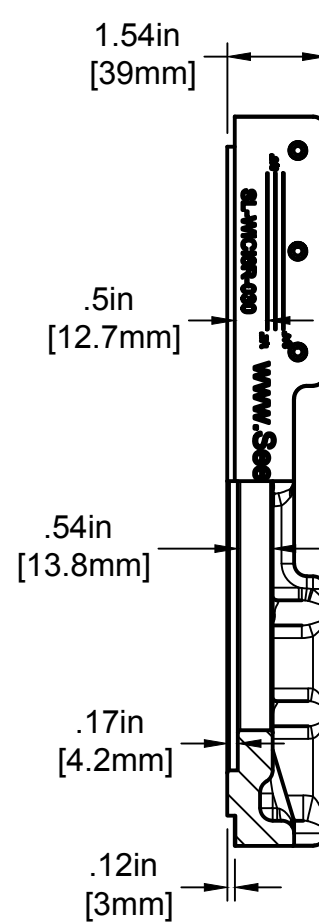
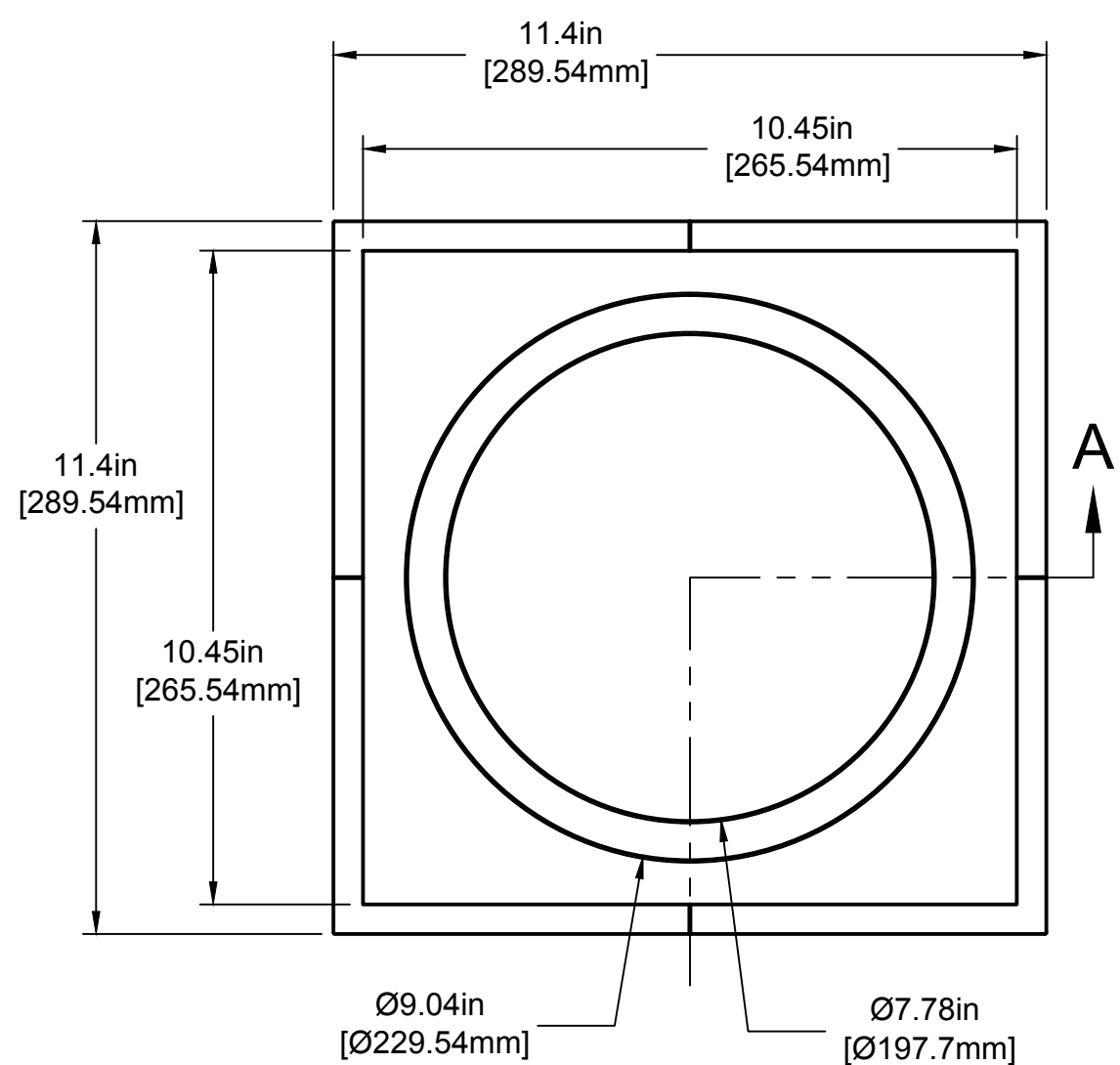
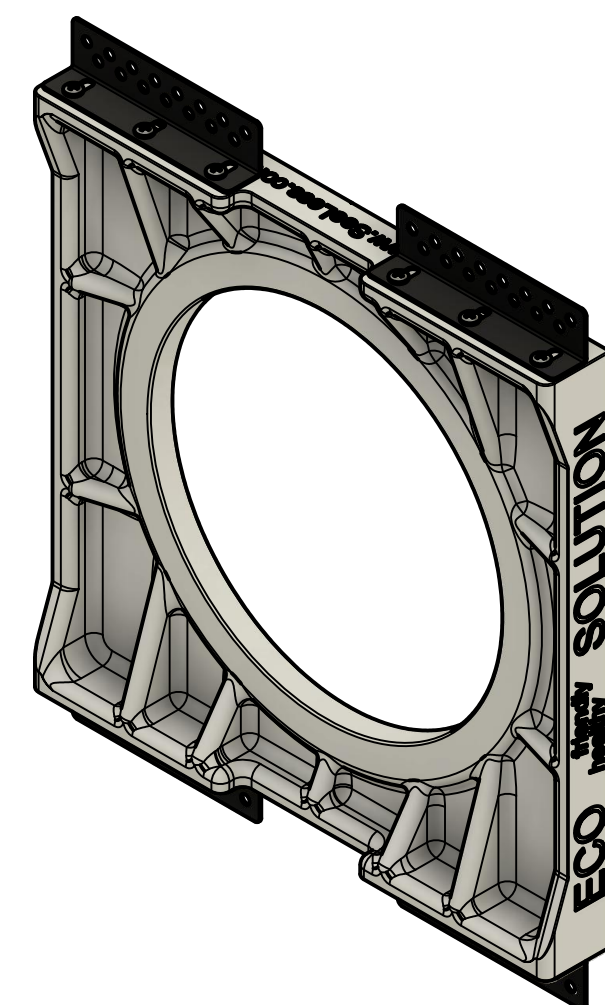
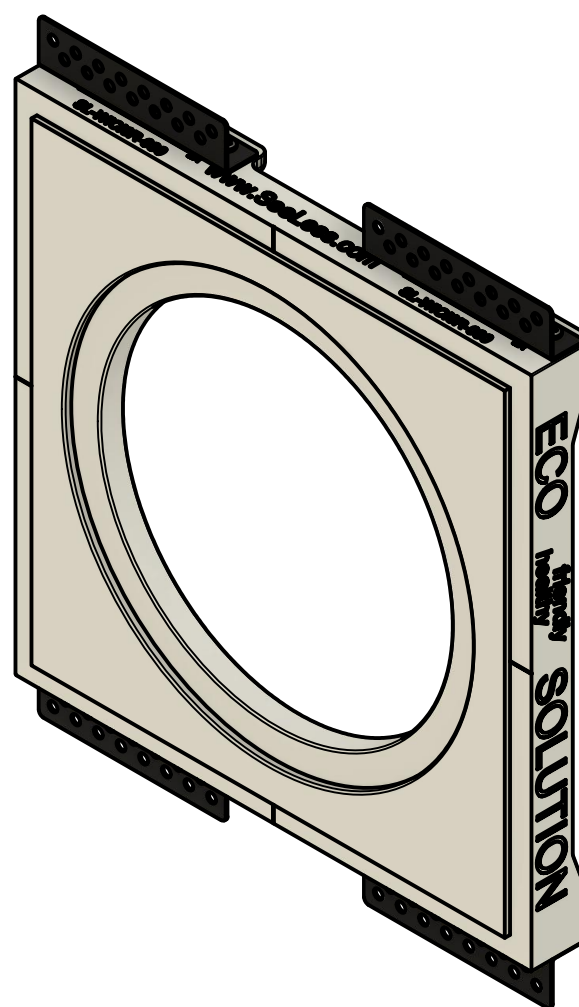
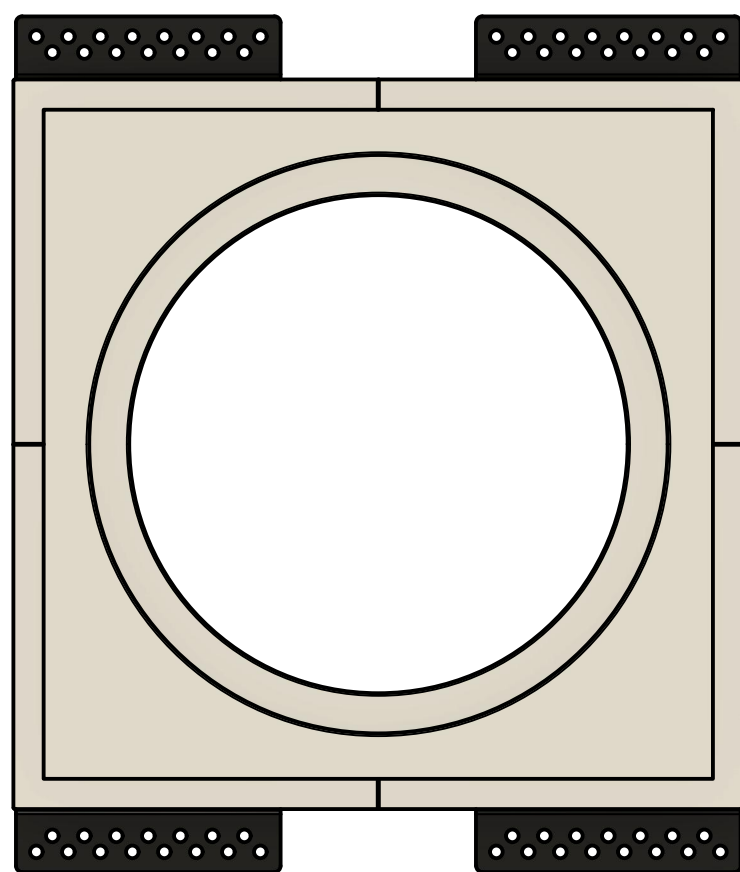


4

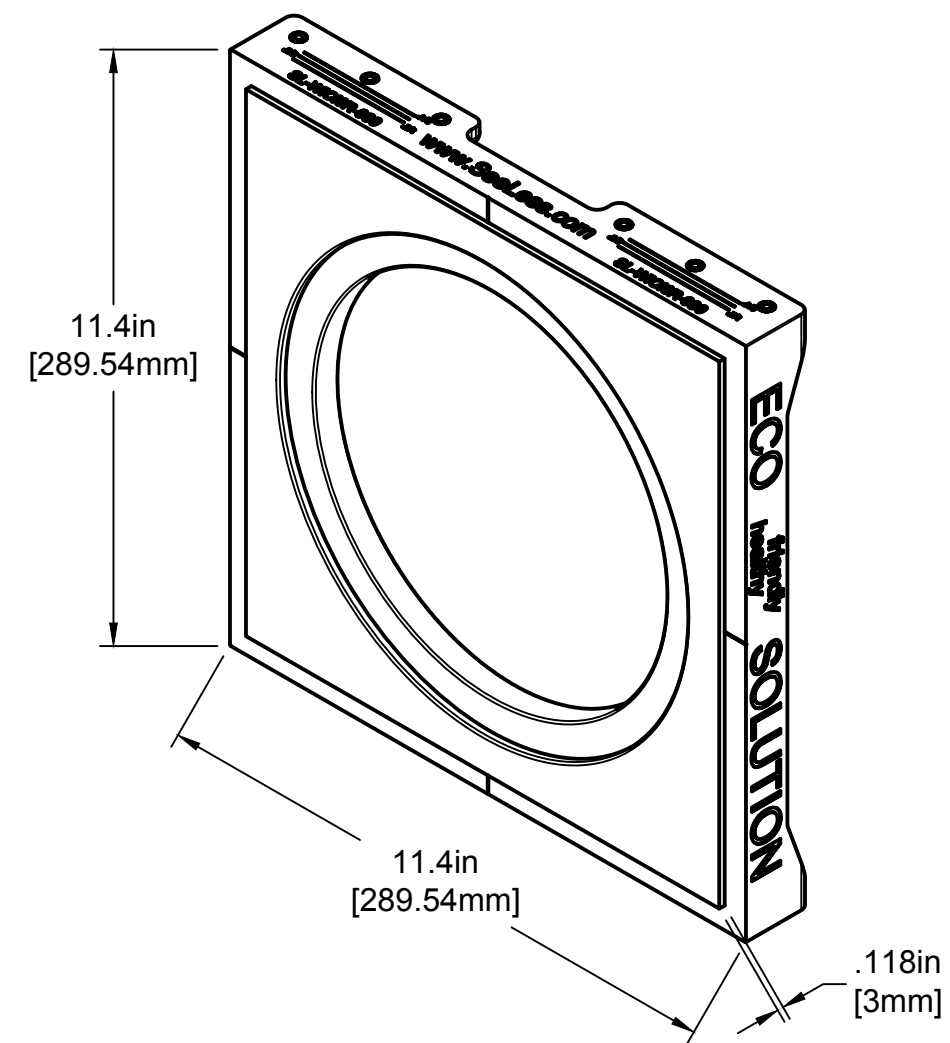
3

2

1



SECTION A-A
SCALE 1:3



PROJECT		Wisdom	
SIZE	MODEL#	SL-WICI6R-030	
C			
SCALE	1:3	WEIGHT	DRAWN Roman Korshunov 15/8/2023

4

3

2

1

D

D

C

C

B

B

A

A