

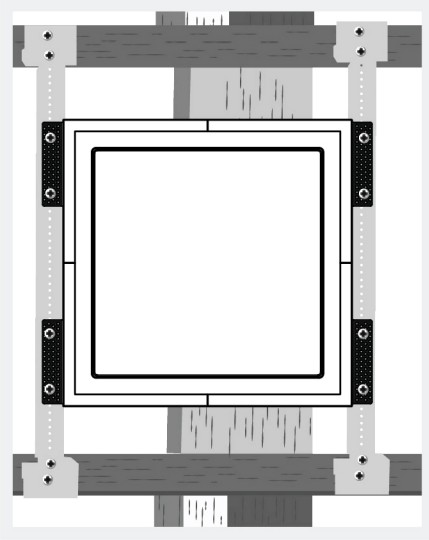
ATTENTION! - Always make sure power has been cut off before attempting any installation



1 ROUGH-IN INSTALLATION:

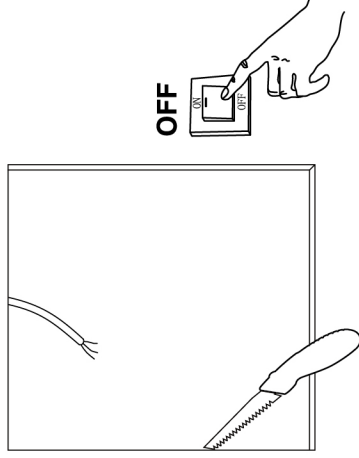
Make sure the electrical box is centered. Adjust the SeeLess black perforated aluminum brackets, to either 1/2", 5/8", or 3/4" line. Caddy bars are recommended for easy mounting between studs (*not supplied by SeeLess). Verify studs are level, so that the platform is leveled with the drywall. Furr out each side, if necessary, so that the platform is leveled with the drywall. Flat-headed screws are recommended (Pre-drill SeeLess brackets for rounded screws).

*Don't over screw when using a power drill to avoid cracking the gypsum.



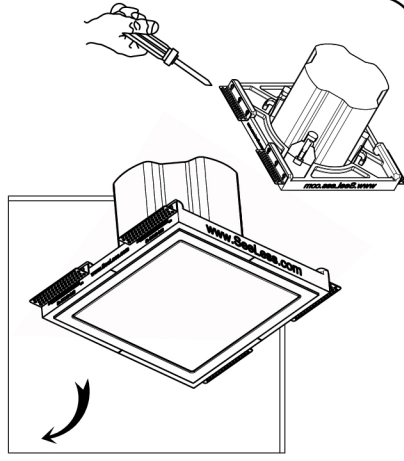
2 POST INSTALL DRYWALL INSTALLATION:

Cut in drywall around the platform in the desired location. Level the drywall with the lower line of the joint on the front of the gypsum platform.



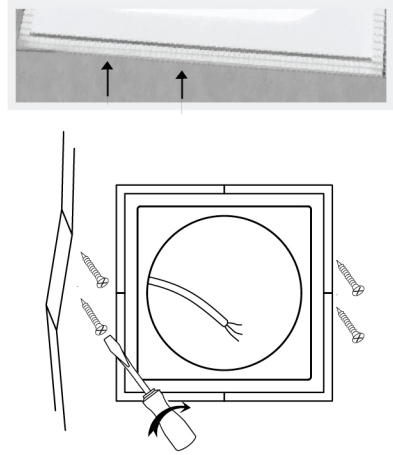
3

Adjust the SeeLess black perforated aluminum brackets, to either 1/2", 5/8", or 3/4" line.
Insert SeeLess platform at an angle.



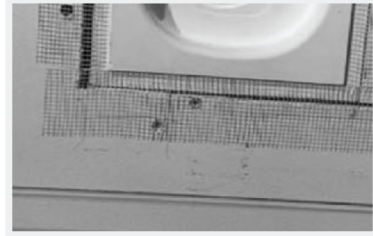
4

Level the drywall with the lower line of the joint on the front of the gypsum platform. Secure SeeLess platform using flat headed drywall screws.



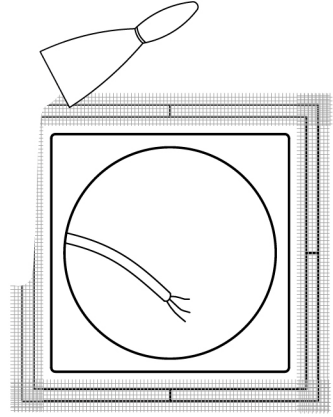
5

Cover the inside of the platform with paper or tape to protect the center opening. Apply the fiberglass tape on all four joints around the platform. Patch with drywall compound.



6

Sand surface smooth. Apply one coat of primer and wait for it to dry. Apply two coats of paint (it is recommended that you paint inside of the opening).



7

Install the device.

