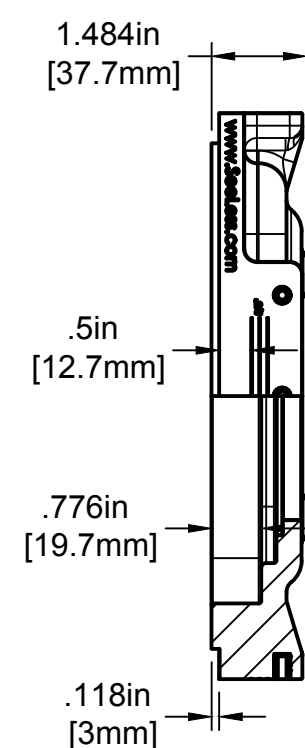
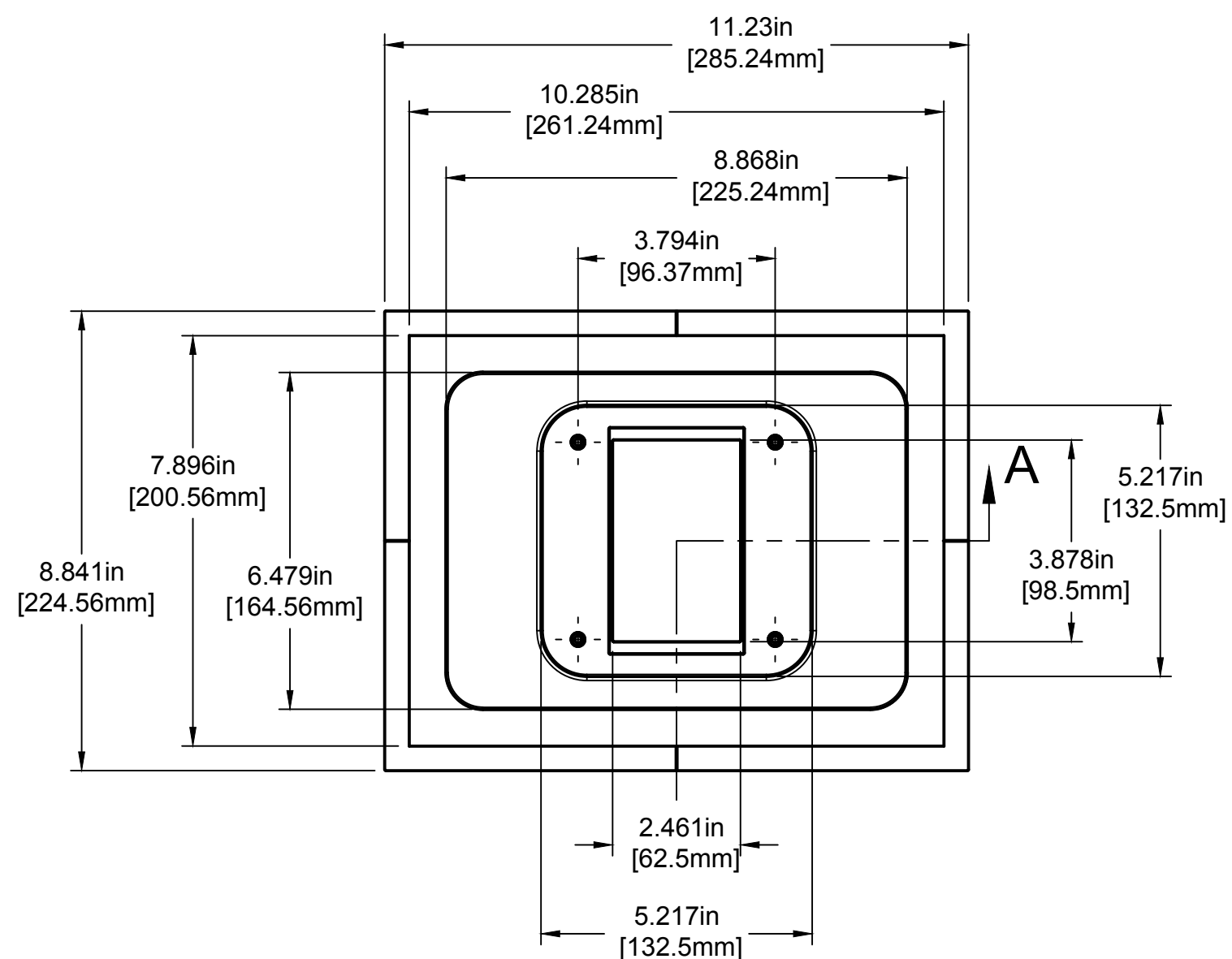
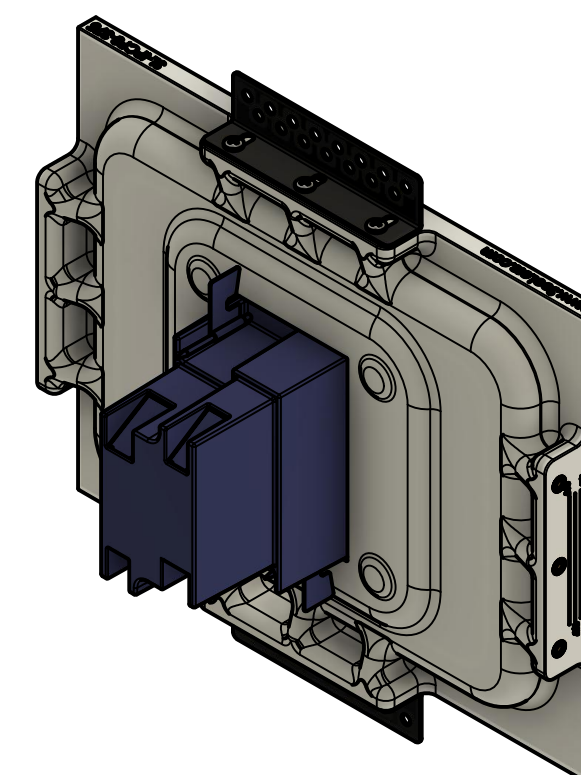
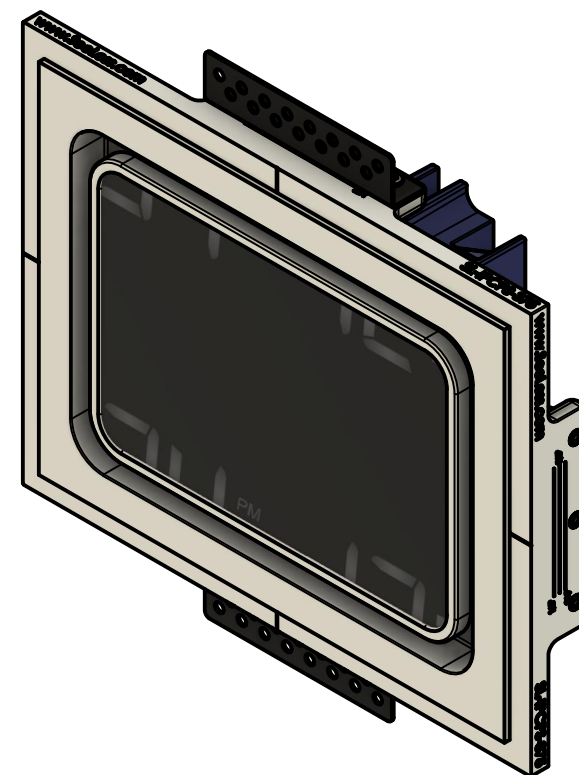
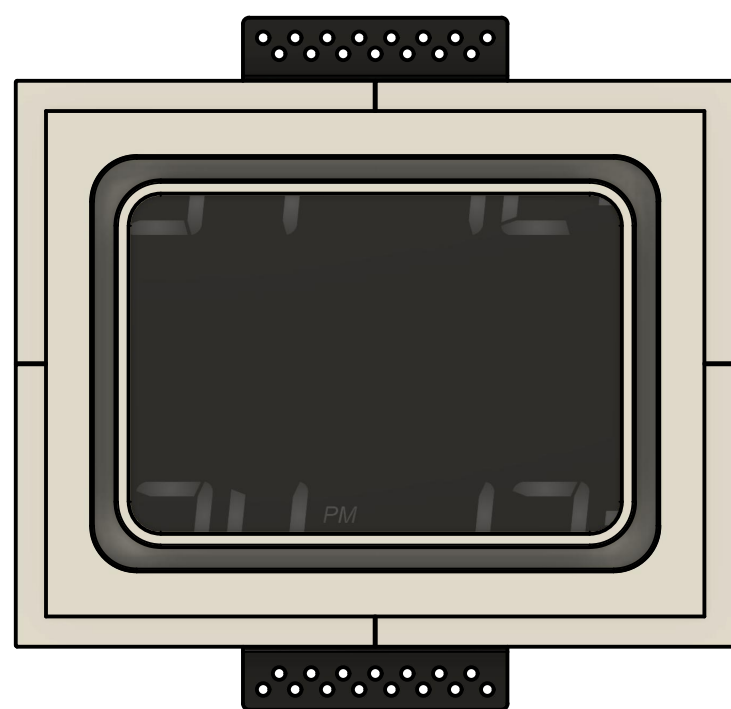


4

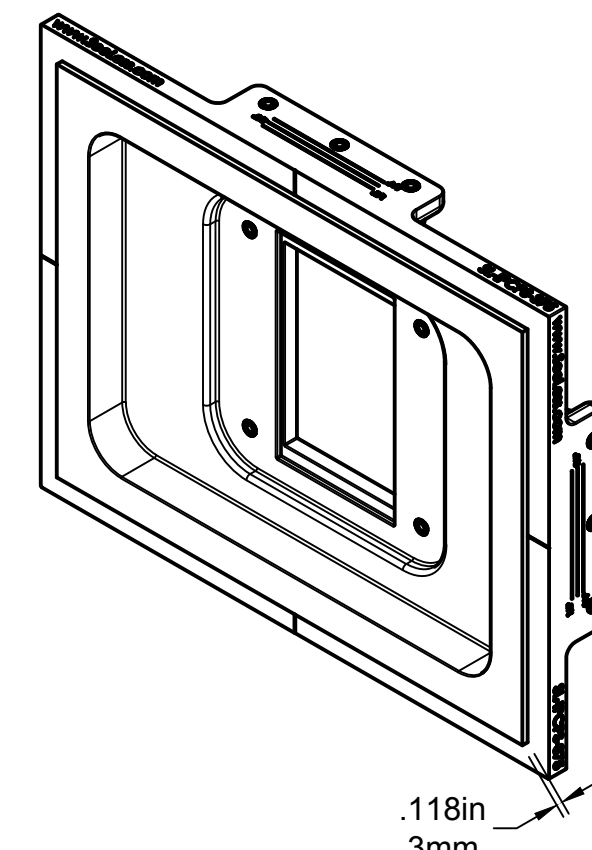
3

2

1



SECTION A-A
SCALE 1:3



PROJECT		iPORT	
SIZE	MODEL#	SL-IPCPS-375	
C			
SCALE	1:3	WEIGHT	DRAWN Roman Korshunov 27/6/2023

4

3

2

1