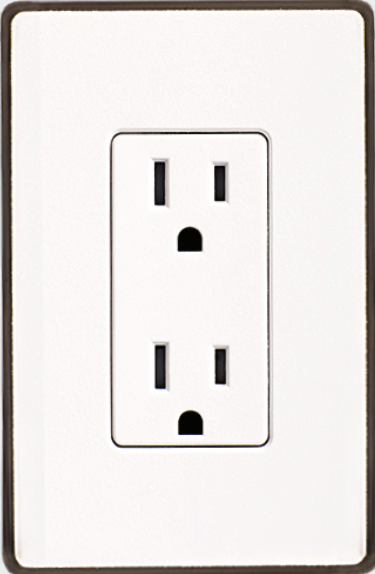



# DESIGNER Style Platforms



Round  
Soft Corners


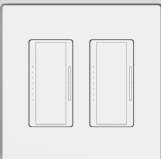
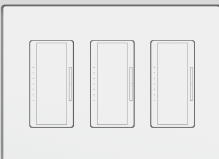
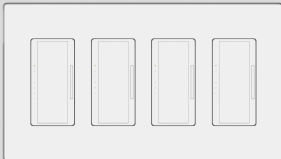
Our **Designer Style** collection offers wiring devices that have soft rounded corners also known as filets. The rounded corners offer a smooth and sleek look while allowing you to create a different style. These products can add a unique touch to your light switches and outlets. For a more modern look, check out our Architectural Style collection.



1/16" | 1/8" | 1/4"  
Reveal options available

## Key Features:

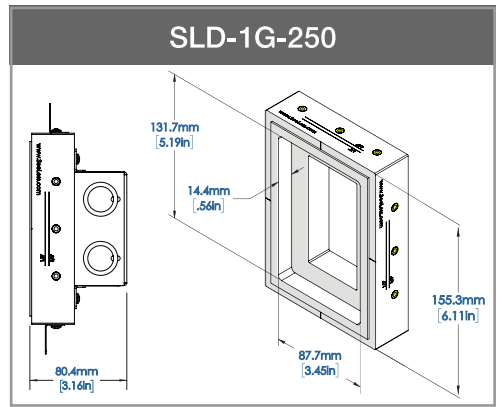
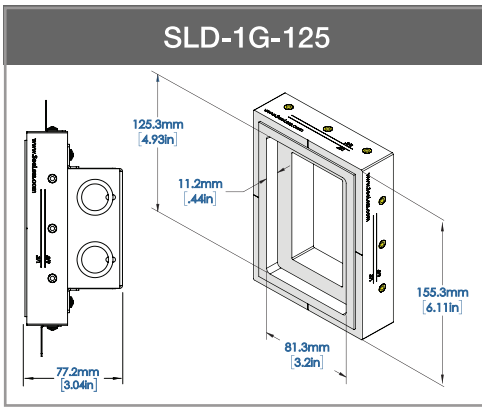
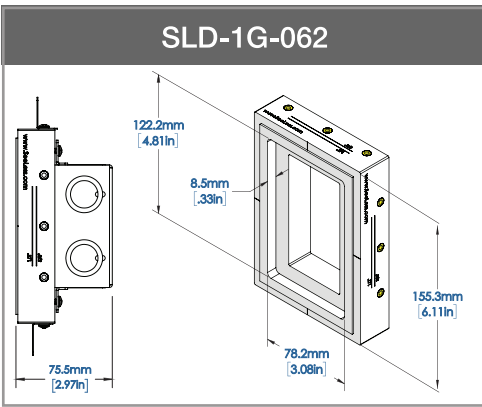
- *Seamless recessed integration in drywall applications*
- *Significantly improves aesthetics*
- *Simplified installation process*
- *Sustainable & green building material*
- *Brackets adjust to 5/8" & 1/2" drywall*
- *Accommodates Class 1 and Class 2 electrical wiring devices*
- *Compatible with most leading manufacturers' plates*

SLD-1G	SLD-2G	SLD-3G	SLD-4G
			



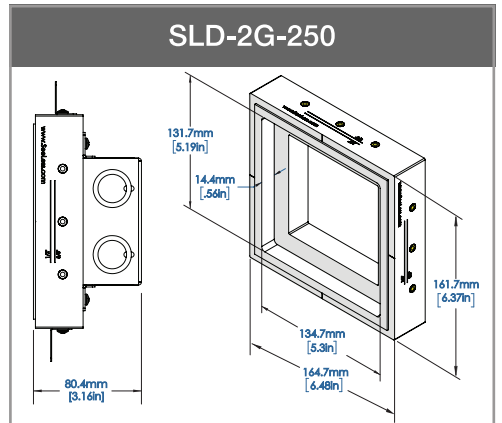
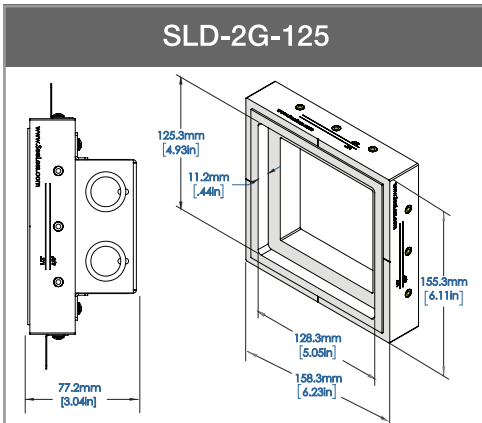
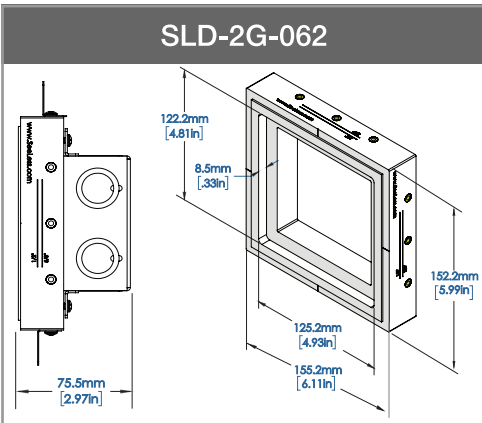
# SLD-1G

# One Gang Designer Style



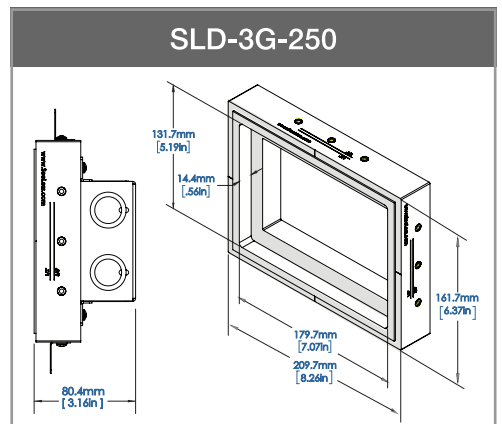
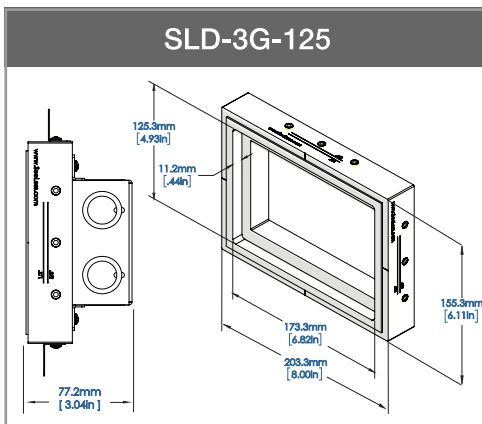
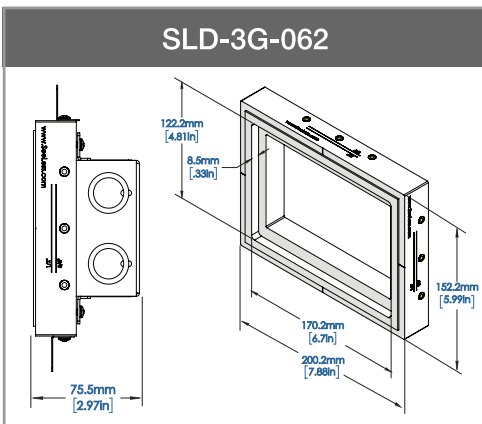
# SLD-2G

# Two Gang Designer Style



# SLD-3G

# Three Gang Designer Style



# SLD-4G

# Four Gang Designer Style

