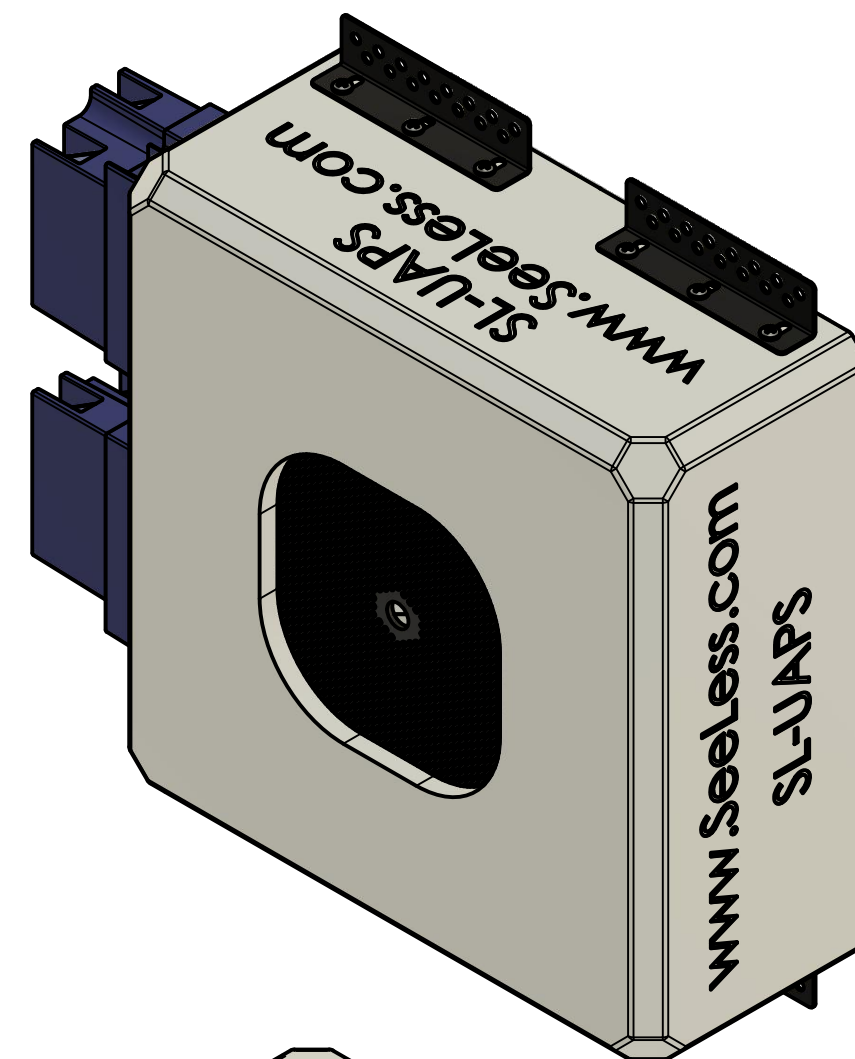
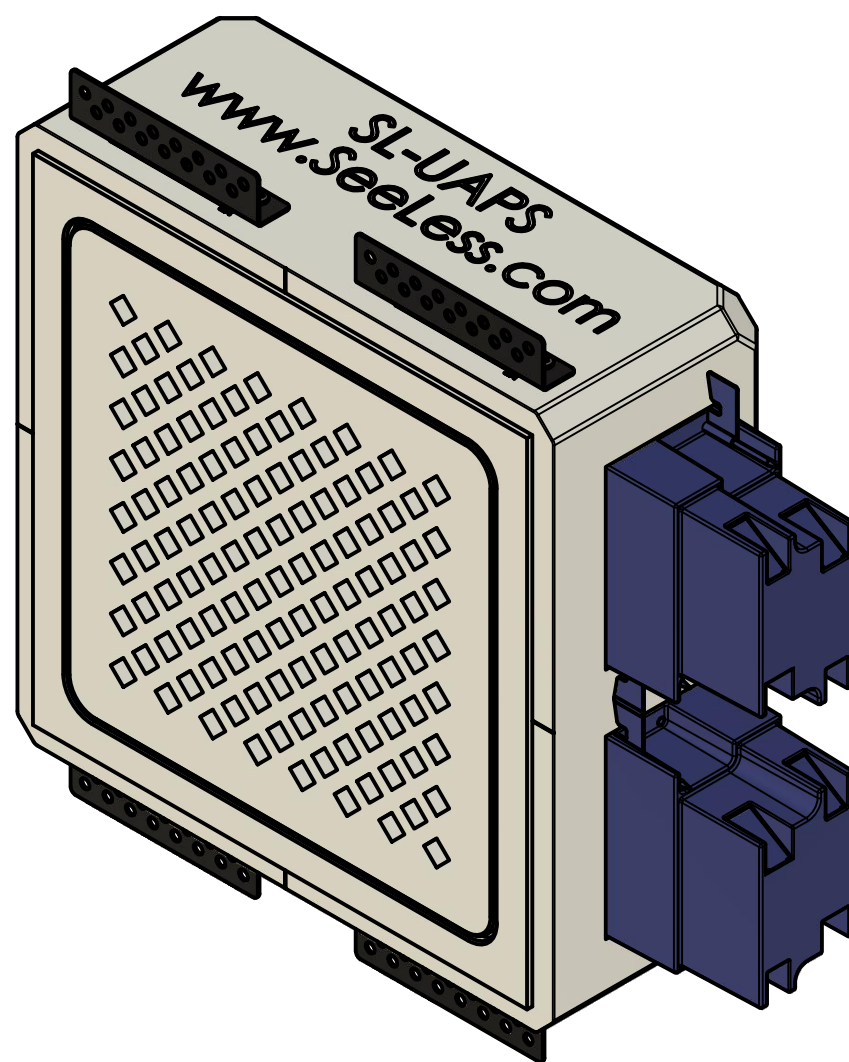
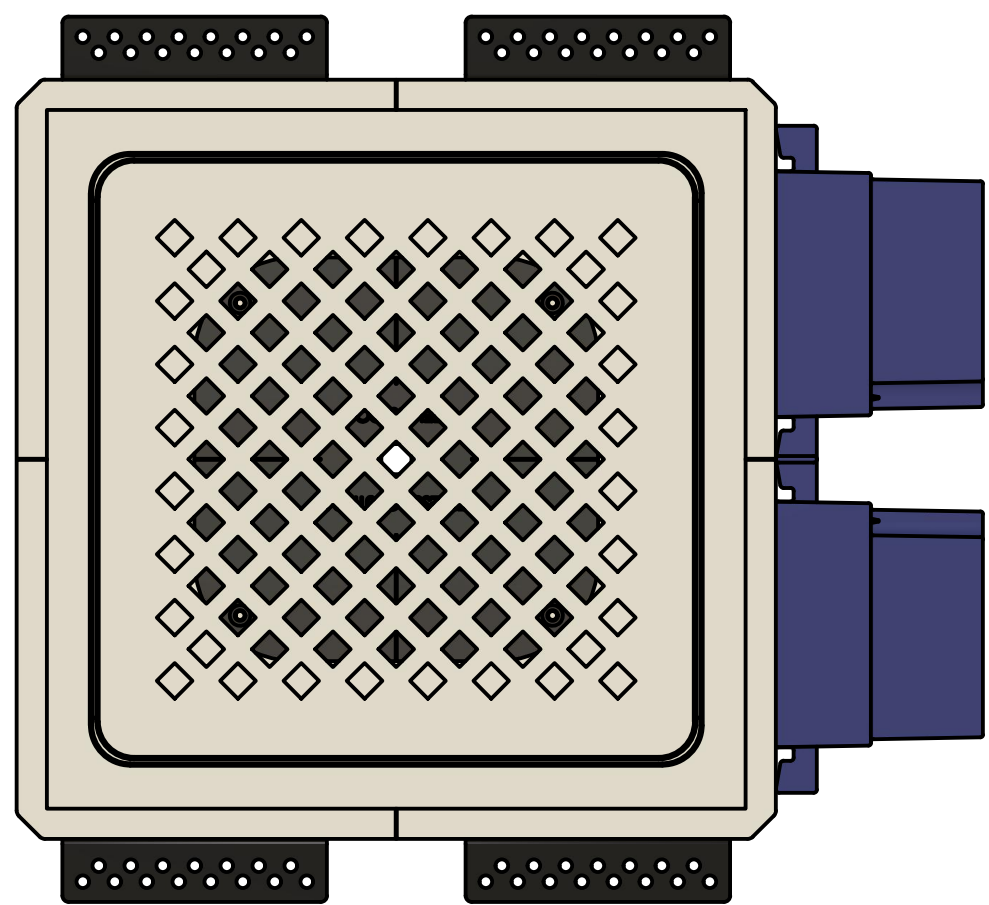


4

3

2

1



D

D

C

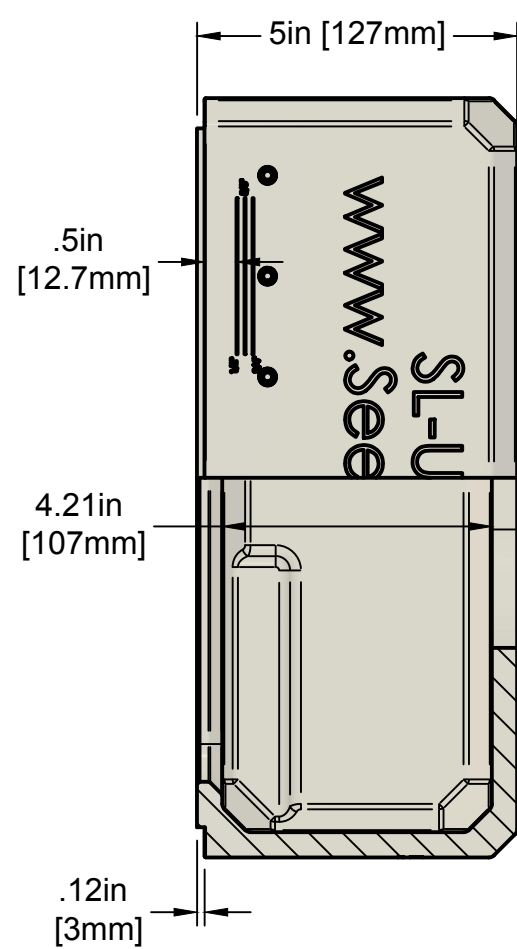
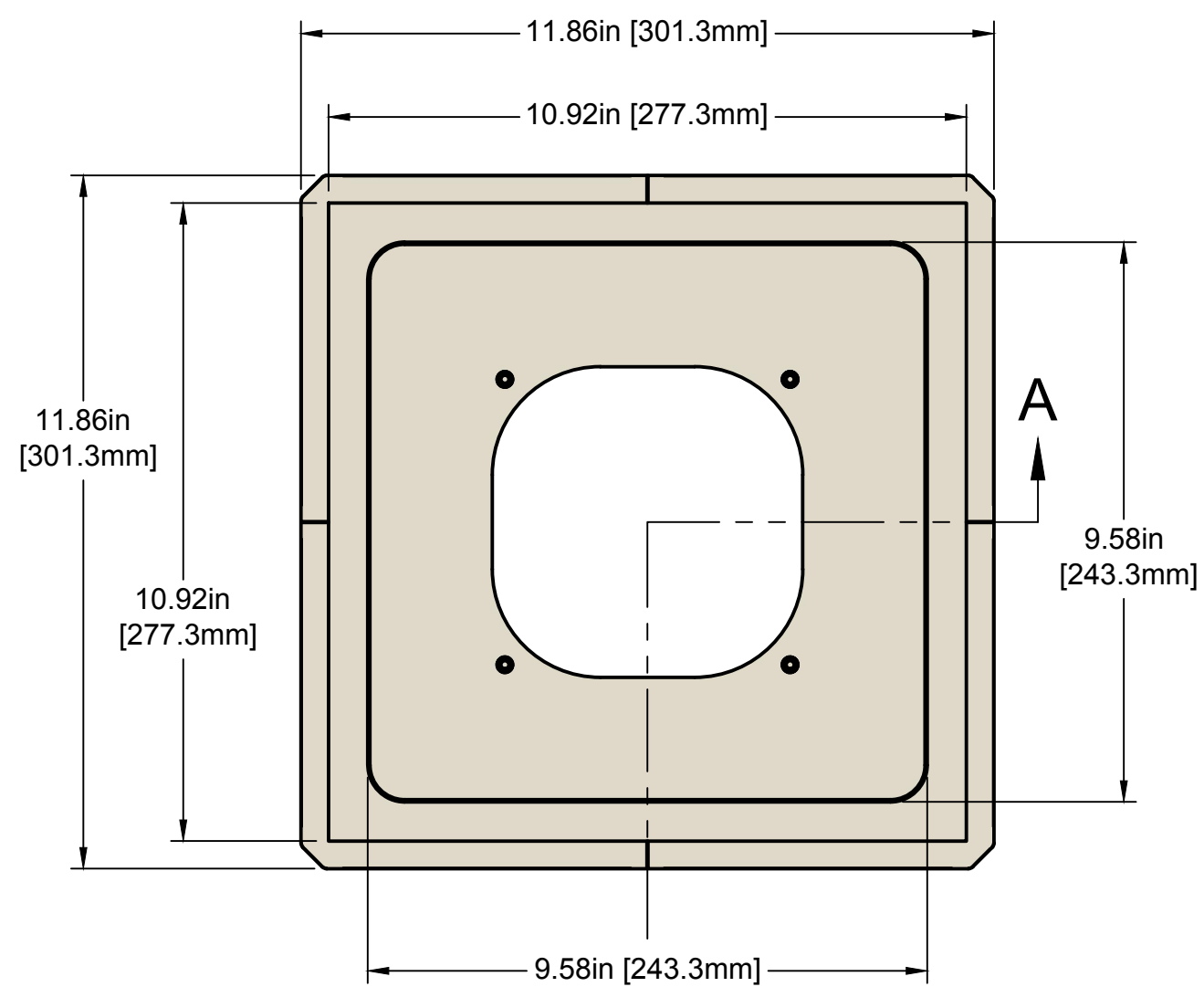
C

B

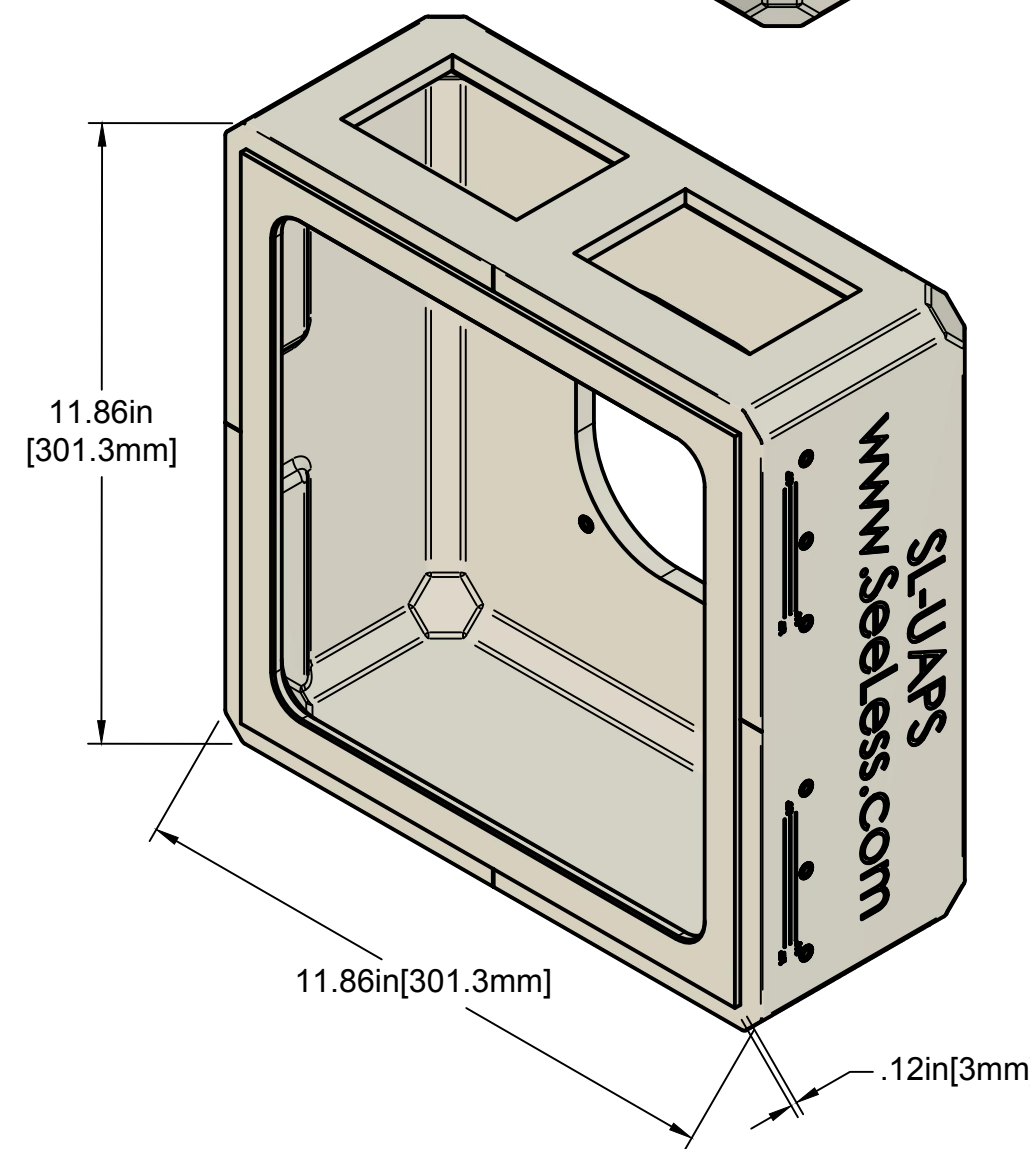
B

A

A



SECTION A-A  
SCALE 1:3



PROJECT		SeeLess	
SIZE	MODEL#	CN_SL-UAPS (20231207)ZCX1	
C			
SCALE	1:4	WEIGHT	DRAWN Roman Korshunov 4/12/24

4

3

2

1