

# ARCHITECTURAL Style Platforms



Sharp edge





The Architectural Style collection gives your home a modern look. The sharp corners keep the modern style uniform throughout your home. If you are looking for something with a softer style, check out our Designer Style collection.



1/16" | 1/8" | 1/4"  
Reveal options available

## Key Features:

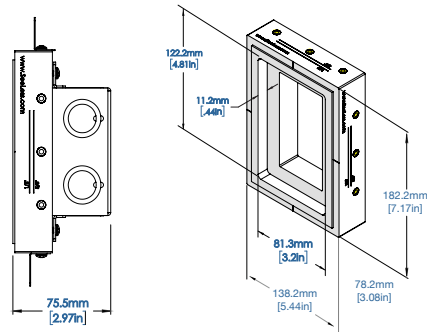
- Seamless recessed integration in drywall applications
- Significantly improves aesthetics
- Simplified installation process
- Sustainable & green building material
- Brackets adjust to 5/8" & 1/2" drywall
- Accommodates Class 1 and Class 2 electrical wiring devices
- Compatible with most leading manufacturer's plates

SLA-1G	SLA-2G	SLA-3G	SLA-4G
			

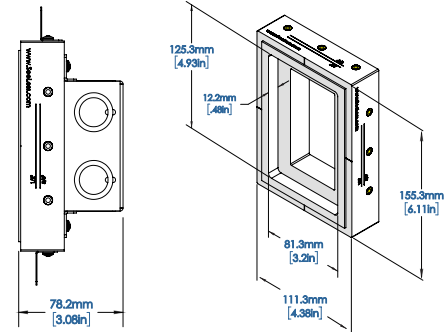
# SLA-1G

# One Gang Architectural Style

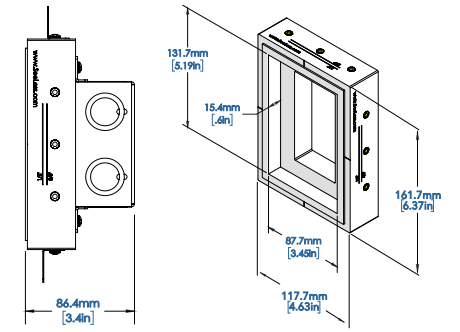
### SLA-1G-062



### SLA-1G-125



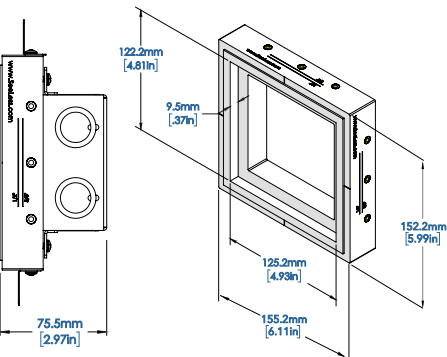
### SLA-1G-250



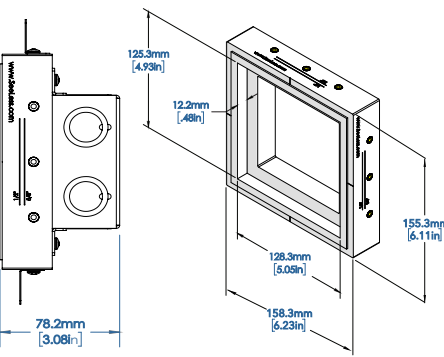
# SLA-2G

# Two Gang Architectural Style

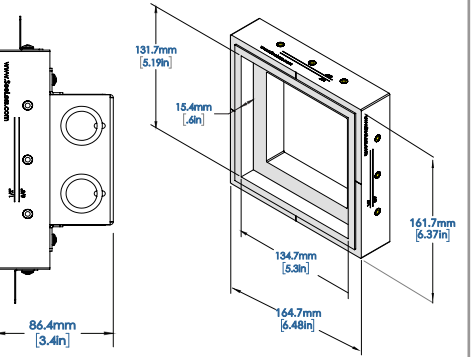
### SLA-2G-062



### SLA-2G-125



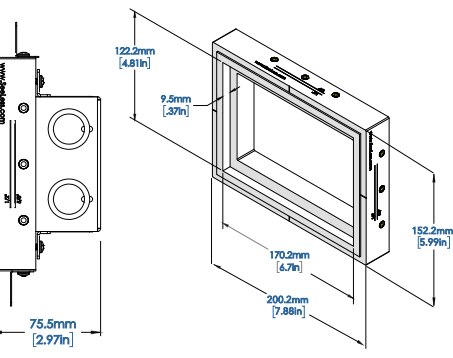
### SLA-2G-250



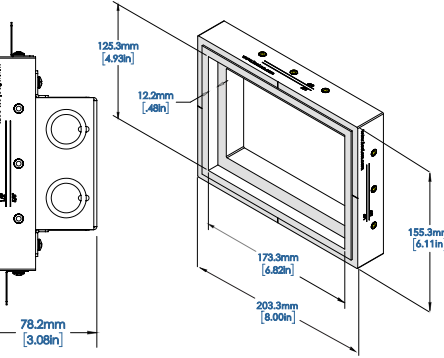
# SLA-3G

# Three Gang Architectural Style

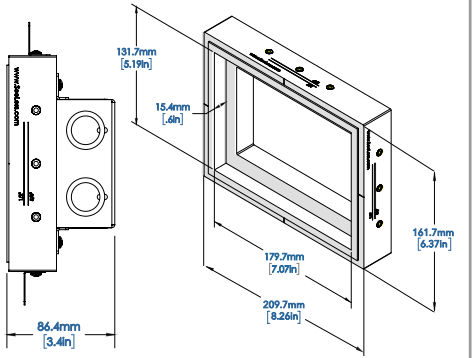
### SLA-3G-062



### SLA-3G-125



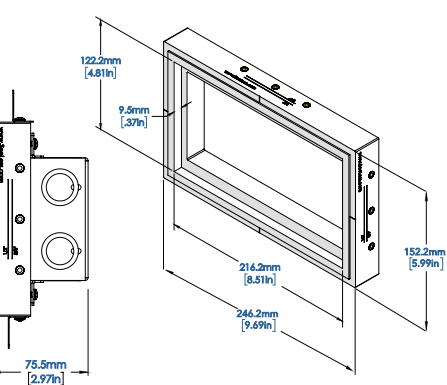
### SLA-3G-250



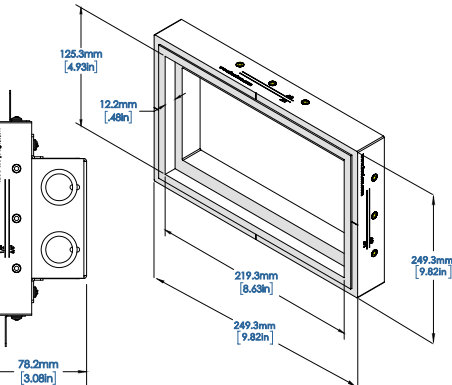
# SLA-4G

# Four Gang Architectural Style

### SLA-4G-062



### SLA-4G-125



### SLA-4G-250

