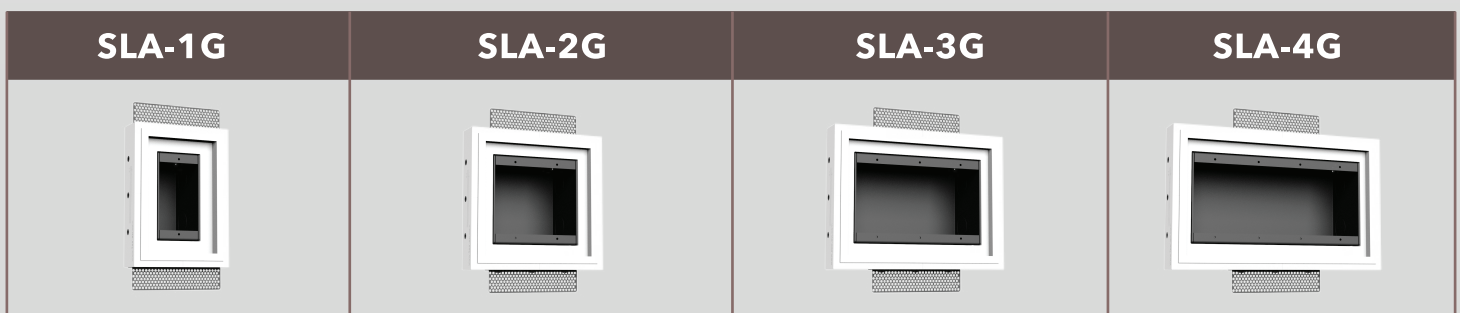


# ARCHITECTURAL Style Platforms



## Key Features:

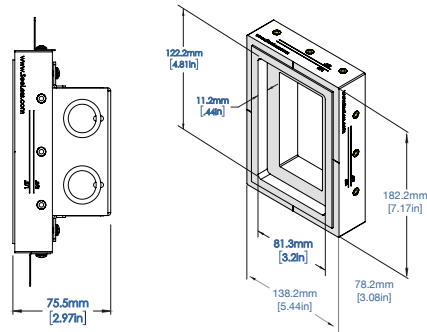
- *Seamless recessed integration in drywall applications*
- *Significantly improves aesthetics*
- *Simplified installation process*
- *Sustainable & green building material*
- *Brackets adjust to 5/8" & 1/2" drywall*
- *Accommodates Class 1 and Class 2 electrical wiring devices*
- *Compatible with most leading manufacturer's plates*
- *Adaptable to SeeLess 1-gang 4" Box Extension Mud Ring for use with standard electrical 4" back box.*



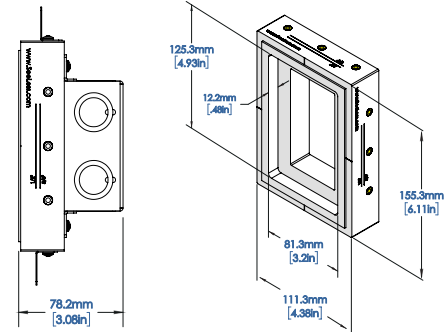
# SLA-1G

## One Gang Architectural Style

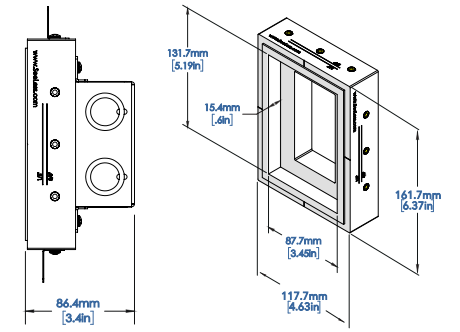
### SLA-1G-062



### SLA-1G-125



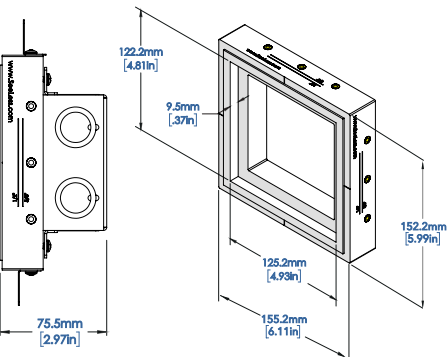
### SLA-1G-250



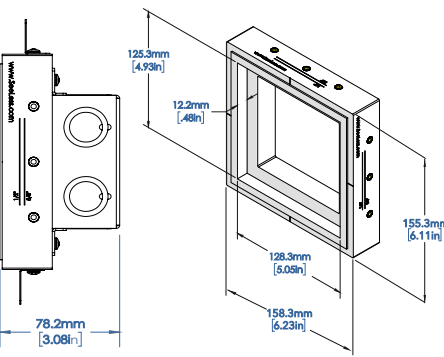
# SLA-2G

## Two Gang Architectural Style

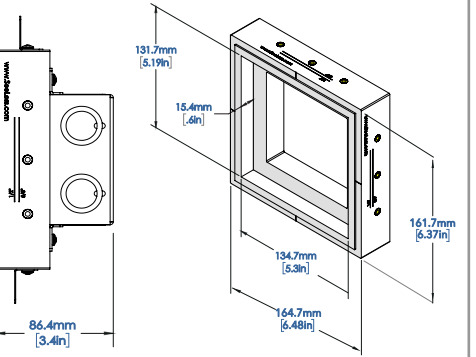
### SLA-2G-062



### SLA-2G-125



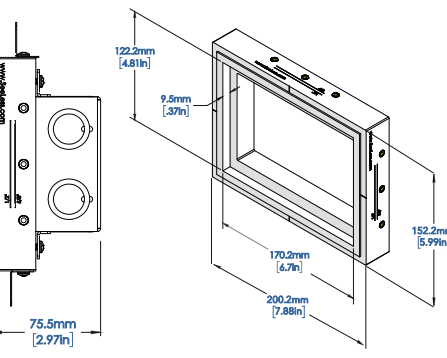
### SLA-2G-250



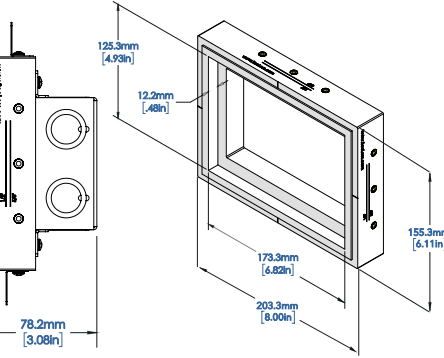
# SLA-3G

## Three Gang Architectural Style

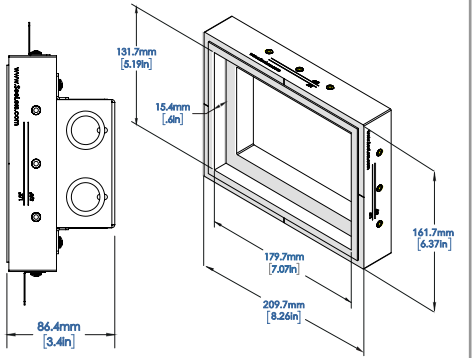
### SLA-3G-062



### SLA-3G-125



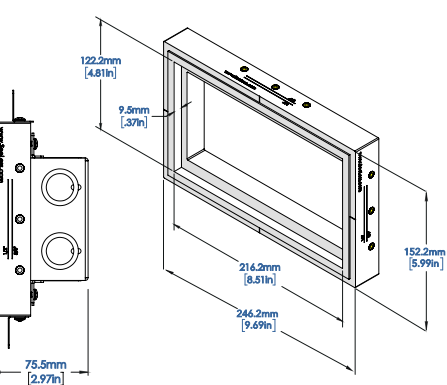
### SLA-3G-250



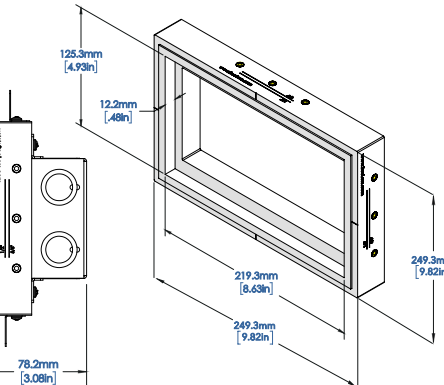
# SLA-4G

## Four Gang Architectural Style

### SLA-4G-062



### SLA-4G-125



### SLA-4G-250

