
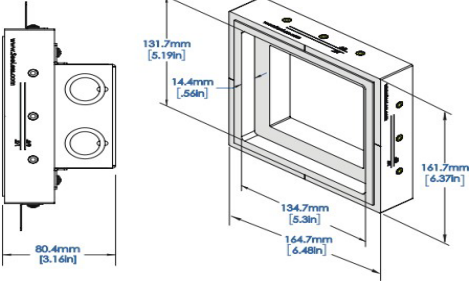

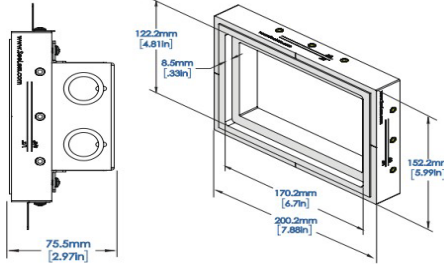
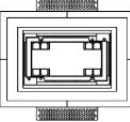
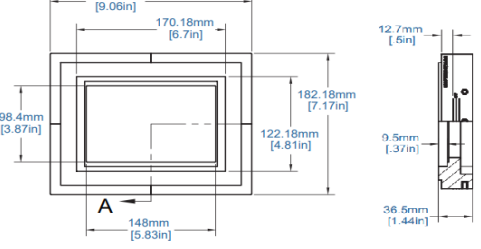

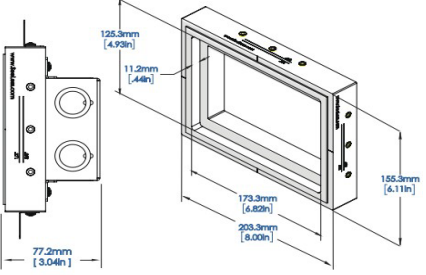

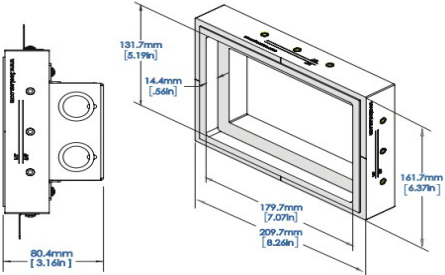

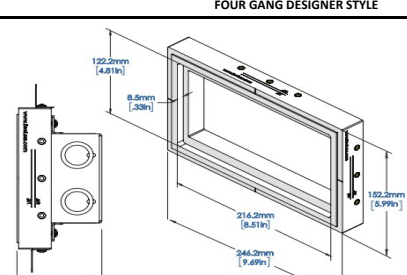

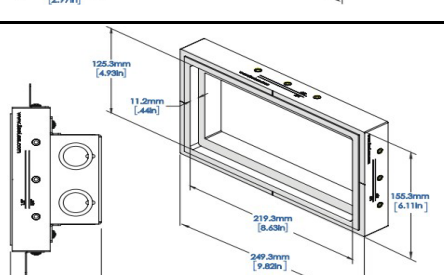

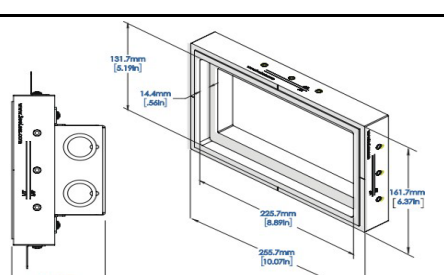

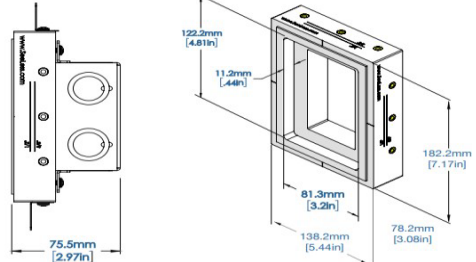
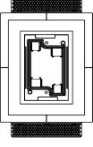
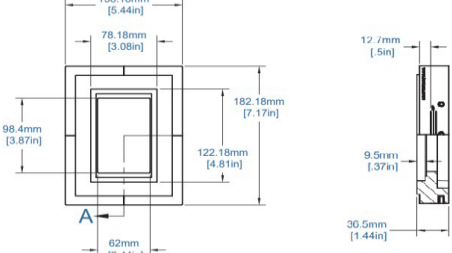

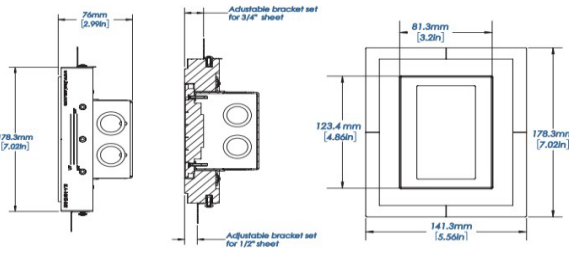
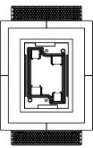
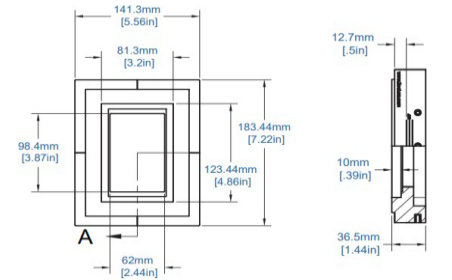

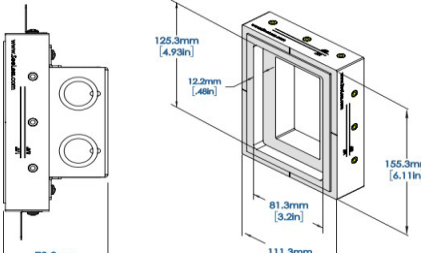

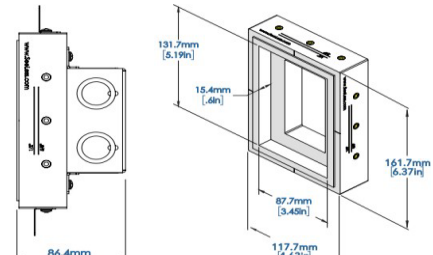

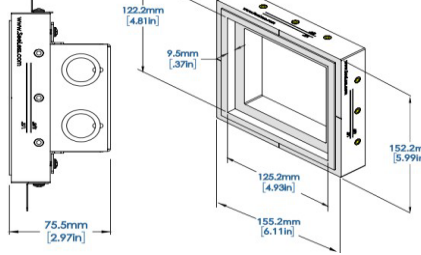
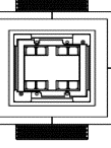
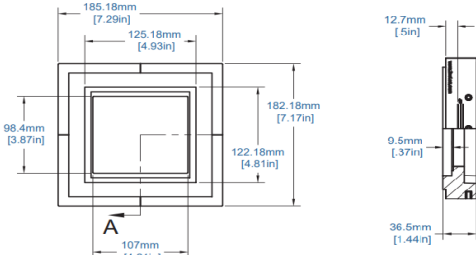


MODEL#	PRODUCT IMAGE		PRODUCT FAMILY	REVEAL	Dimensions of the finished opening
ONE GANG DESIGNER STYLE					
SLD-1G-062			One gang designer style with metal backbox.	1/16" around Lutron Designer style plates	4.81" x 3.08" x 0.33"
SLD-1GR-062			One gang designer style without metal backbox. For use with Carlon plastic box/ring.	1/16" around Lutron Designer style plates	4.81" x 3.08" x 0.37"
SLD-1G-125			One gang designer style with metal backbox.	1/8" around Lutron Designer style plates	4.93" x 3.2" x 0.44"
SLD-1G-250			One gang designer style with metal backbox.	1/4" around Lutron Designer style plates	5.19" x 3.45" x 0.56"
TWO GANG DESIGNER STYLE					
SLD-2G-062			Two gang designer style with metal backbox.	1/16" around Lutron Designer style plates	4.81" x 4.93" x 0.33"
SLD-2GR-062			Two gang Designer style without metal backbox. For use with Carlon plastic box/ring.	1/16" around Lutron Designer style plates	4.81" x 4.93" x 0.37"
SLD-2G-125			Two gang designer style with metal backbox.	1/8" around Lutron Designer style plates	4.93" x 5.05" x 0.44"

SLD-2G-250			Two gang designer style with metal backbox.	1/4" around Lutron Designer style plates	5.19" x 5.3" x 0.56"
THREE GANG DESIGNER STYLE					
SLD-3G-062			Three gang designer style with metal backbox.	1/16" around Lutron Designer style plates	4.81" x 6.7" x 0.33"
SLD-3GR-062			Three gang designer style without metal backbox. For use with Carlon plastic box/ring.	1/16" around Lutron Designer style plates	4.81" x 6.7" x 0.37"
SLD-3G-125			Three gang designer style with metal backbox.	1/8" around Lutron Designer style plates	4.93" x 6.82" x 0.44"
SLD-3G-250			Three gang designer style with metal backbox.	1/4" around Lutron Designer style plates	5.19" x 7.07" x 0.56"
FOUR GANG DESIGNER STYLE					
SLD-4G-062			Four gang designer style with metal backbox.	1/16" around Lutron Designer style plates	4.81" x 8.51" x 0.33"
SLD-4G-125			Four gang designer style with metal backbox.	1/8" around Lutron Designer style plates	4.93" x 8.63" x 0.44"
SLD-4G-250			Four gang designer style with metal backbox.	1/4" around Lutron Designer style plates	5.19" x 8.89" x 0.56"


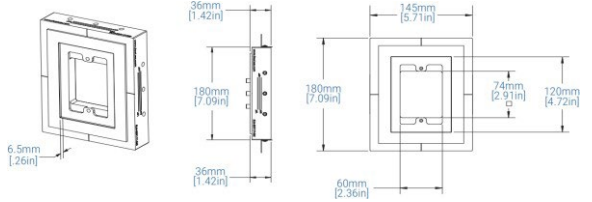

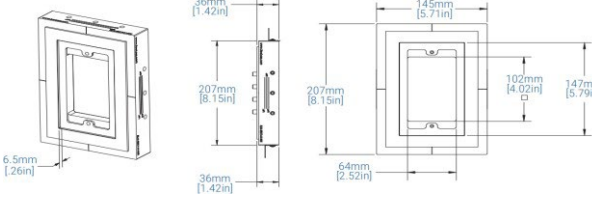

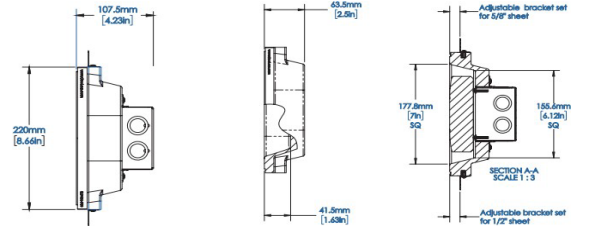

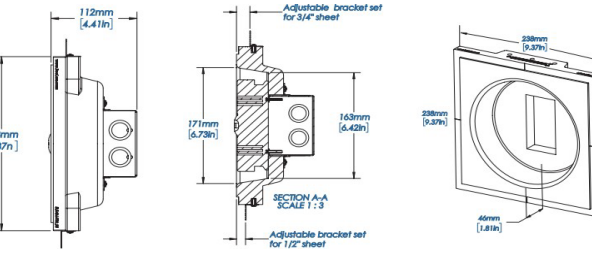

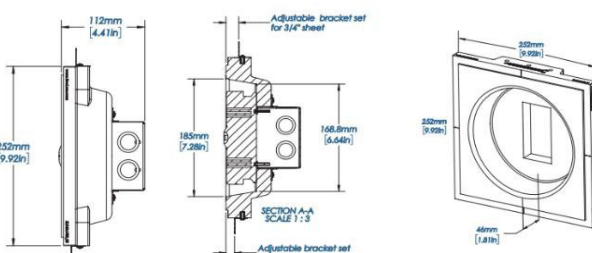

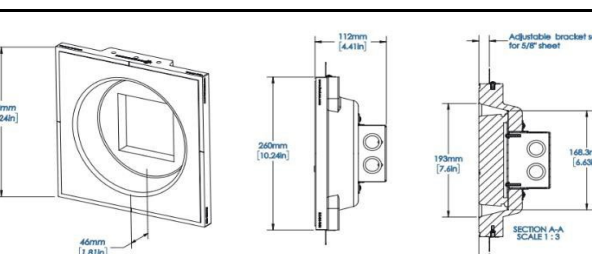

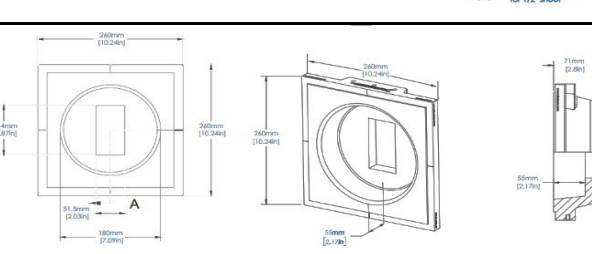
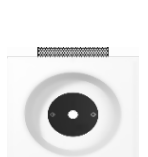
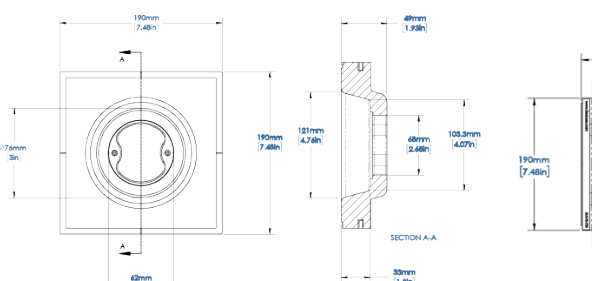
ONE GANG ARCHITECTURAL STYLE

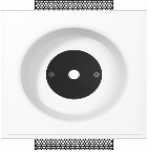
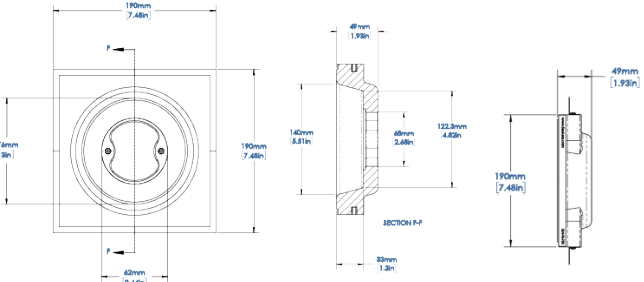
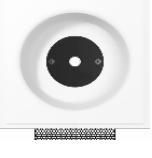

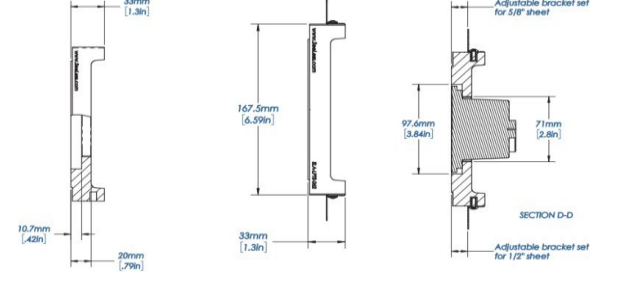
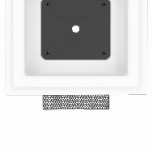
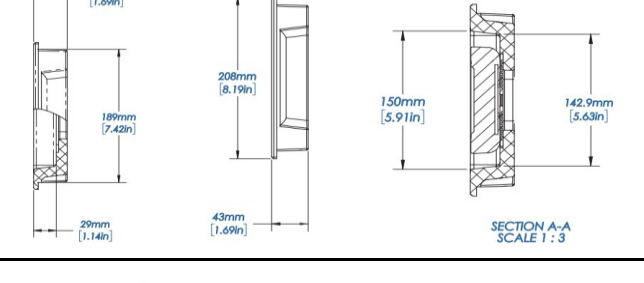

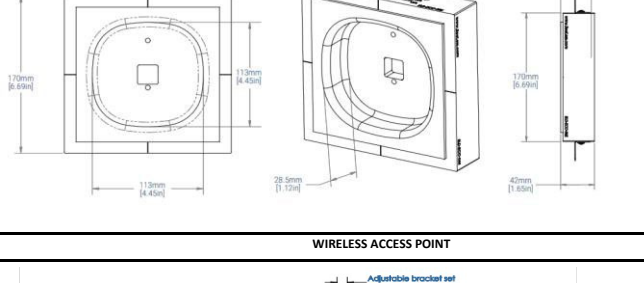

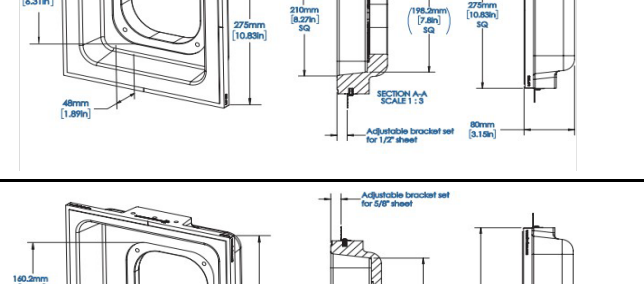
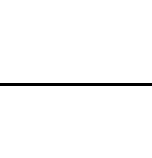
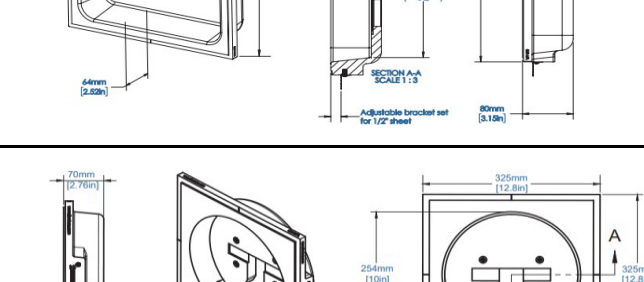
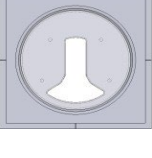
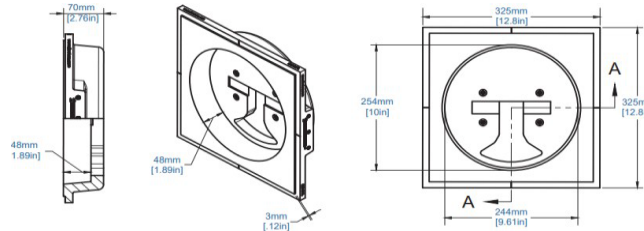
SLA-1G-062			One gang architectural style with metal backbox	1/16" around Lutron New Architectural style plates	4.81" x 3.2" x 0.44"
SLA-1GR-062			One gang architectural style without metal backbox. For use with Carlon plastic box/ring.	1/16" around Lutron New Architectural style plates	4.81" x 3.08" x 0.37"
SLA-1GHZ-062			One gang Crestron Horizon architectural style with metal backbox.	1/16"	4.86" x 3.2" x 0.75"
SLA-1GHRZ-062			One gang Crestron Horizon architectural style without metal backbox. For use with Carlon plastic box/ring.	1/16"	4.86" x 3.2" x 0.39"
SLA-1G-125			One gang architectural style with metal backbox.	1/8" around Lutron New Architectural style plates	4.81" x 3.2" x 0.48"
SLA-1G-250			One gang architectural style with metal backbox.	1/4" around Lutron New Architectural style plates	5.19" x 3.45" x 0.6"
TWO GANG ARCHITECTURAL STYLE					
SLA-2G-062			Two gang architectural style with metal backbox	1/16" around Lutron New Architectural style plates	4.81" x 4.93" x 0.37"
SLA-2GR-062			Two gang architectural style without metal backbox. For use with Carlon plastic box/ring.	1/16" around Lutron New Architectural style plates	4.81" x 4.93" x 0.37"


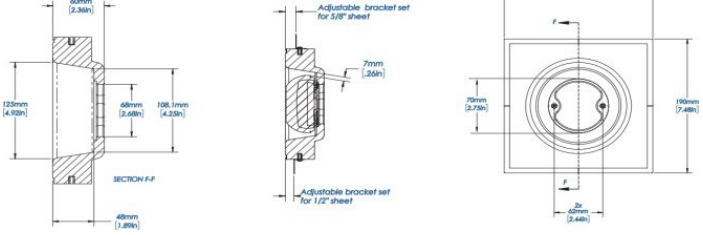
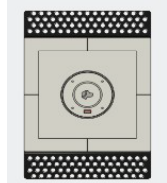
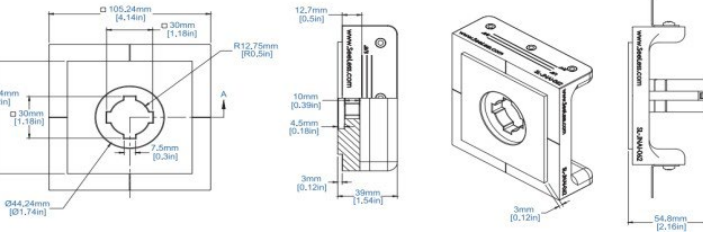

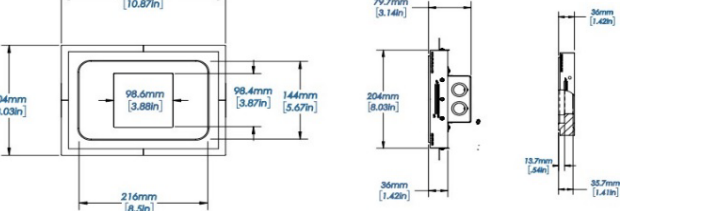

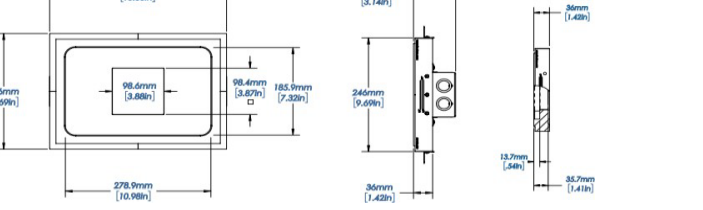

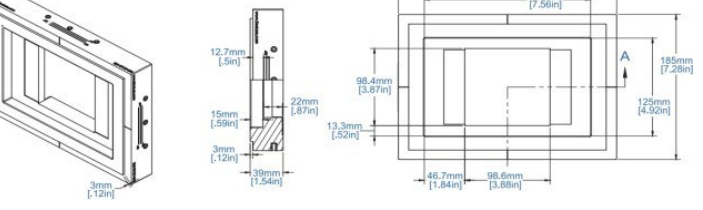

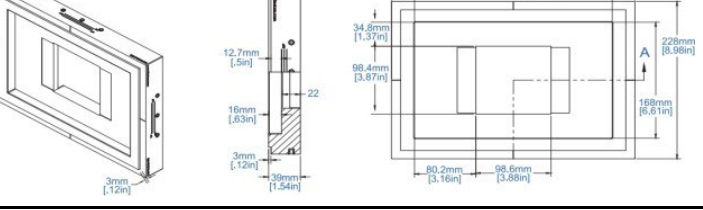

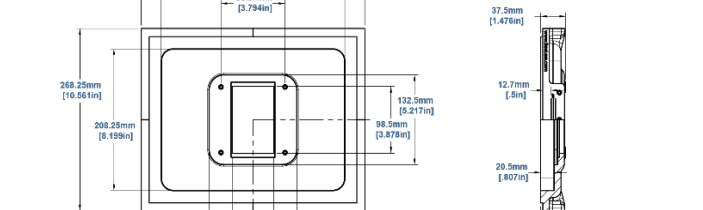

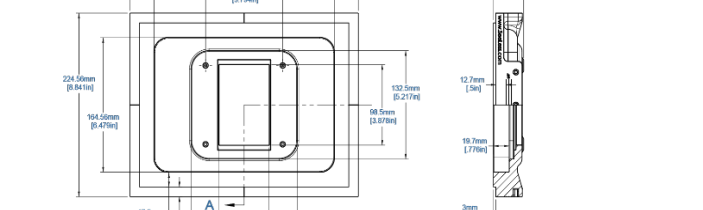
SLA-2GHZ-062		<p>Technical drawings of SLA-2GHZ-062 showing side and front views with dimensions. Side view dimensions: 76mm (3.0in) width, 178.3mm (7.02in) height. Front view dimensions: 127.3mm (5.01in) width, 123.4mm (4.86in) height, 187.3mm (7.37in) total width, 178.3mm (7.02in) total height. Labels include 'Adjustable bracket set for 3/4" sheet' and 'Adjustable bracket set for 1/2" sheet'.</p>	Two gang Architectural Creston Horizon with metal backbox	1/16"	4.86" x 5.01" x 0.75"
SLA-2GHRZ-062		<p>Technical drawings of SLA-2GHRZ-062 showing front and side views with dimensions. Front view dimensions: 187.25mm (7.37in) total width, 127.25mm (5.01in) inner width, 98.4mm (3.87in) height, 183.44mm (7.22in) total height, 123.44mm (4.86in) inner height. Side view dimensions: 12.7mm (.5in) top thickness, 10mm (.39in) bottom thickness, 36.5mm (1.44in) total depth. Label 'A' is present.</p>	Two gang architectural Creston Horizon style without metal backbox. For use with Carlon plastic box/ring.	1/16"	4.86" x 5.01" x 0.39"
SLA-2G-125		<p>Technical drawings of SLA-2G-125 showing side and front views with dimensions. Side view dimensions: 78.2mm (3.08in) width, 126.3mm (4.93in) height, 12.2mm (.48in) depth. Front view dimensions: 128.3mm (5.05in) width, 155.3mm (6.11in) height, 158.3mm (6.23in) total width.</p>	Two gang architectural style with metal backbox	1/8" around Lutron New Architectural style plates	4.93" x 5.05" x 0.48"
SLA-2G-250		<p>Technical drawings of SLA-2G-250 showing side and front views with dimensions. Side view dimensions: 84.4mm (3.4in) width, 131.7mm (5.19in) height, 15.4mm (.6in) depth. Front view dimensions: 134.7mm (5.3in) width, 161.7mm (6.37in) height, 164.7mm (6.48in) total width.</p>	Two gang architectural style with metal backbox	1/4" around Lutron New Architectural style plates	5.19" x 5.3" x 0.6"
THREE GANG ARCHITECTURAL STYLE					
SLA-3G-062		<p>Technical drawings of SLA-3G-062 showing side and front views with dimensions. Side view dimensions: 75.5mm (2.97in) width, 122.2mm (4.81in) height, 9.5mm (.37in) depth. Front view dimensions: 170.2mm (6.7in) width, 152.2mm (5.99in) height, 200.2mm (7.88in) total width.</p>	Three gang architectural style with metal backbox	1/16" around Lutron New Architectural style plates	4.81" x 6.7" x 0.37"
SLA-3GR-062		<p>Technical drawings of SLA-3GR-062 showing front and side views with dimensions. Front view dimensions: 230.18mm (9.06in) total width, 170.18mm (6.7in) inner width, 98.4mm (3.87in) height, 182.18mm (7.17in) total height, 122.18mm (4.81in) inner height. Side view dimensions: 12.7mm (.5in) top thickness, 0.5mm (.37in) bottom thickness, 36.5mm (1.44in) total depth. Label 'A' is present.</p>	Three gang architectural style without metal backbox. For use with Carlon plastic box/ring.	1/16" around Lutron New Architectural style plates	4.81" x 6.7" x 0.37"
SLA-3GRHZ-062		<p>Technical drawings of SLA-3GRHZ-062 showing front and side views with dimensions. Front view dimensions: 230.18mm (9.06in) total width, 170.18mm (6.7in) inner width, 98.4mm (3.87in) height, 182.18mm (7.17in) total height, 122.18mm (4.81in) inner height. Side view dimensions: 12.7mm (.5in) top thickness, 8.5mm (.33in) bottom thickness, 36.5mm (1.44in) total depth. Label 'A' is present.</p>	Three gang architectural Creston Horizon style without metal backbox. For use with Carlon plastic box/ring.	1/16"	4.81" x 6.7" x 0.33"
SLA-3G-125		<p>Technical drawings of SLA-3G-125 showing side and front views with dimensions. Side view dimensions: 78.2mm (3.08in) width, 126.3mm (4.93in) height, 12.2mm (.48in) depth. Front view dimensions: 173.3mm (6.82in) width, 155.3mm (6.11in) height, 203.3mm (8.00in) total width.</p>	Three gang architectural style with metal backbox	1/8" around Lutron New Architectural style plates	4.93" x 6.82" x 0.48"

SLA-3G-250			Three gang architectural style with metal backbox	1/4" around Lutron New Architectural style plates	5.19" x 7.07" x 0.6"
FOUR GANG ARCHITECTURAL STYLE					
SLA-4G-062			Four gang architectural style with metal backbox	1/16" around Lutron New Architectural style plates	4.81" x 8.52" x 0.37"
SLA-4G-125			Four gang architectural style with metal backbox	1/8" around Lutron New Architectural style plates	4.93" x 8.63" x 0.48"
SLA-4G-250			Four gang architectural style with metal backbox	1/4" around Lutron New Architectural style plates	5.19" x 8.89" x 0.6"
ONE TO THREE GANG ARCHITECTURAL BEVEL STYLE					
SLAB-1G-062			Architectural bevel style one gang with metal backbox	1/16" around Lutron New Architectural style plates	4.81" x 3.2" x 0.75"
SLAB-2G-062			Architectural bevel style two gang with metal backbox	1/16" around Lutron New Architectural style plates	4.81" x 4.93" x 0.75"
SLAB-3G-062			Architectural bevel style three gang with metal backbox	1/16" around Lutron New Architectural style plates	4.81" x 6.7" x 0.75"
INTERNATIONAL STYLE KEYPADS					
SLA-1GB-062			Basalte Sentido architectural style	1/16"	3.31" x 3.31" x 0.35"

SLD-1GB-062			Basalte Enzo designer style	1/16"	3.31" x 3.31" x 0.35"
SLA-1GBN-062			Black Nova Architectural Style Single Gang	1/16"	3.86" x 3.86" x 0.39"
SLA-2GBN-062			Black Nova Architectural Style Double Gang		3.86" x 7.80" x 0.39"
SLD-1GISDC062			Lutron Alysse single/double column international designer style	1/16"	3.55" x 3.55" x 0.16"
SLD-1GITC062			Lutron Alysse triple column international designer style	1/16"	4.82" x 3.55" x 0.16"
SLD-1K2C-062			Crestron 2 column international designer style	1/16"	3.54" x 3.54" x 0.51"
SLA-LP2C-062			Lutron Two-column international architectural style Palladium	1/16"	3.87" x 3.87" x 0.37"
MELJAC STYLE KEYPADS					
SLM-82x82			Meljac architectural style	1/16"	3.35" x 3.2" x 0.26"

SLM-82x117		 <p>36mm [1.42in] 180mm [7.09in] 6.5mm [0.26in] 36mm [1.42in] 145mm [5.71in] 180mm [7.09in] 60mm [2.36in] 74mm [2.91in] 120mm [4.72in]</p>	Mejrac architectural style	1/16"	4.72" x 3.2" x 0.26"
SLM-82x144		 <p>36mm [1.42in] 207mm [8.15in] 6.5mm [0.26in] 36mm [1.42in] 145mm [5.71in] 207mm [8.15in] 64mm [2.52in] 102mm [4.02in] 147mm [5.79in]</p>	Mejrac architectural style	1/16"	5.79" x 3.2" x 0.26"
NEST PROTECT SMOKE AND CO ALARM					
SLN-SM-750		 <p>107.5mm [4.23in] 220mm [8.66in] 65.5mm [2.58in] 41.5mm [1.63in] 177.2mm [7in] SQ 158.8mm [6.25in] SQ Adjustable bracket set for 5/8" sheet Adjustable bracket set for 1/2" sheet SECTION A-A SCALE 1:3</p>	Nest smoke 1gang box	3/4" around Nest smoke	6.12" x 6.12" x 1.63"
SMOKE ALARM RECESS PLATFORM					
SLK-SM-500		 <p>112mm [4.41in] 238mm [9.37in] 171mm [6.73in] 163mm [6.42in] 238mm [9.37in] 46mm [1.81in] Adjustable bracket set for 3/4" sheet Adjustable bracket set for 1/2" sheet SECTION A-A SCALE 1:3</p>	Round smoke 1 gang box sml	Varies	6.42" x 1.81"
SLK-SM-750		 <p>112mm [4.41in] 252mm [9.92in] 185mm [7.28in] 168.8mm [6.64in] 252mm [9.92in] 46mm [1.81in] Adjustable bracket set for 3/4" sheet Adjustable bracket set for 1/2" sheet SECTION A-A SCALE 1:3</p>	Round smoke 1 gang box med	Varies	6.64" x 1.81"
SLK-SM2-1000		 <p>360mm [14.17in] 46mm [1.81in] 112mm [4.41in] 260mm [10.24in] 193mm [7.6in] 168.3mm [6.63in] Adjustable bracket set for 5/8" sheet Adjustable bracket set for 1/2" sheet SECTION A-A SCALE 1:3</p>	Round smoke Two-gang box	Varies	6.63" x 1.81"
SLK-SM1-500		 <p>280mm [11.02in] 18.4mm [0.73in] 31.5mm [1.24in] 180mm [7.09in] 360mm [14.17in] 360mm [14.17in] 71mm [2.8in] 65mm [2.56in] 46mm [1.81in]</p>	Round smoke 1 gang box large	1/2" opening around the Cosmo smoke alarm	7.09" x 2.17"
THERMOSTAT /SENSOR/UNIVERSAL					
SLN-TSU-500		 <p>190mm [7.48in] 76mm [3in] 42mm [1.65in] 190mm [7.48in] 121mm [4.76in] 49mm [1.93in] 68mm [2.68in] 105.3mm [4.15in] 50mm [1.97in] 49mm [1.93in] SECTION A-A</p>	Universal Thermostat mount small	1/2" around Nest thermostat	4.07" x 1.3"

SLN-TSU-750			Universal Thermostat mount large	3/4" around Nest thermostat	4.82" x 1.3"
SL-TYB-375			Tyba Mount		
SLA-LPTS-062			Lutron palladiom tstat	1/16"	3.84" x 3.84" x 0.42"
SLL-TSQ-750			Universal Wifi thermostat	Varies	5.63" x 5.63" x 1.14"
SLE-TSU-375			Ecobee tstat mount	3/8"	4.45" x 4.45" x 1.12"
WIRELESS ACCESS POINT					
SLW-APS			Access point small	Varies	7.8" x 7.8" x 1.89"
SLW-APL			Access point large	Varies	9.62" x 9.62" x 2.52"
SLW-RAPL-500			Access point large round araknis 800 series	1/2"	10" x 1.89"

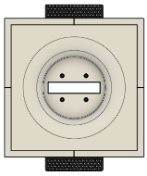
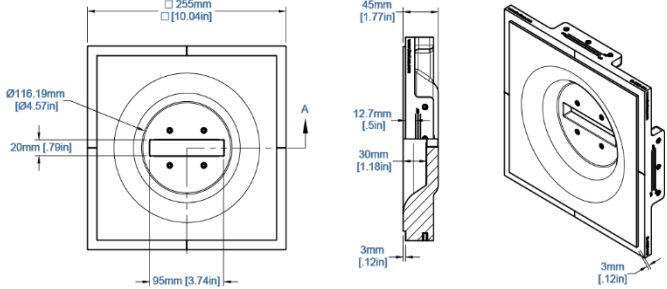

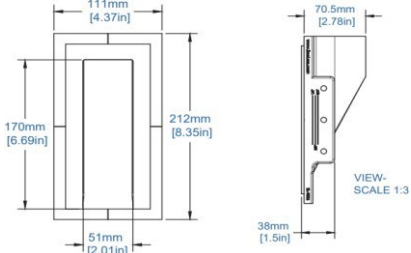

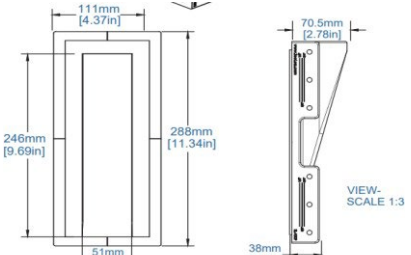

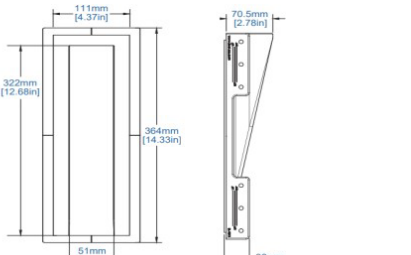

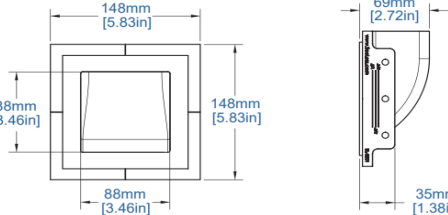

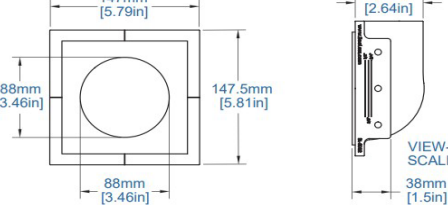

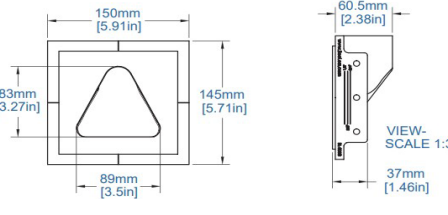

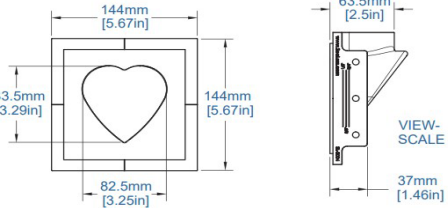
VOICE CONTROL						
SLN-TSU-1000			Josh ai mount	Varies		4.25" x 1.89"
SLJNAI-062			Josh.ai nano mounting platform		1/16"	1.74" x 2.16"
IPADS/ TOUCH PANELS						
SLD-TPS-500			Touch panels mount sml	Varies		5.67" x 8.5" x 0.54"
SLD-TPL-500			Touch panels mount lrg	Varies		7.32" x 10.98" x 0.54"
SLA-TPCT7- 375			Touch panels crestron 7" 70 series	3/8"		4.92" x7.56" x 0.59"
SLA-TPCT10- 375			Touch panels crestron 10" 70 series	3/8"		6.61" x 10.2" x 0.63"
SL-IPCPL-375			Ipad LRG for Iport ConnectPro	1/2"		8.19" x 10.87" x 0.80"
SL-IPCPS-375			Ipad SML for Iport ConnectPro	1/2"		6.47" x 8.86" x 0.77"


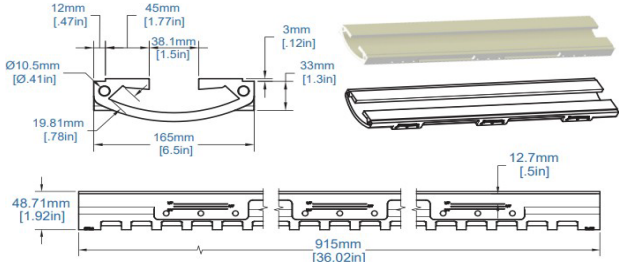

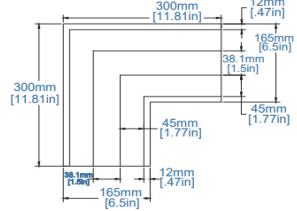

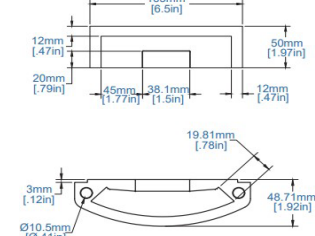

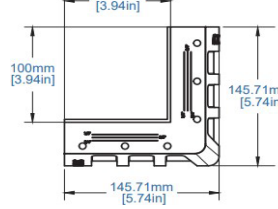

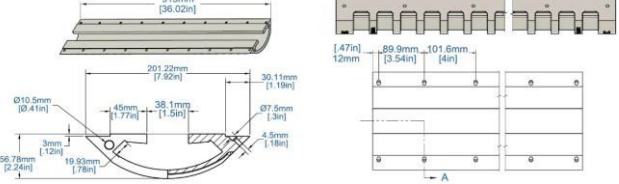
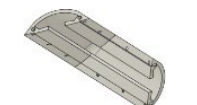
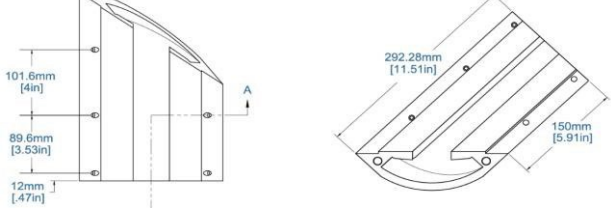

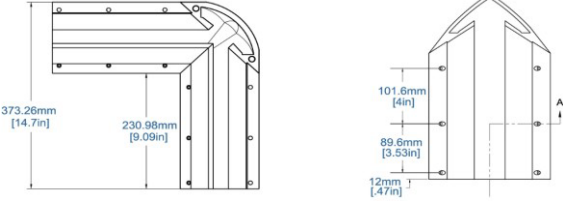


SLD-TPC48-375			Touch panels control4 8"	3/8"	6.34" x 8.7" x 0.79"
SLD-TPC410-375			Touch panels control4 10"	3/8"	7.52" x 10.43" x 0.79"
SLD-IPS-500			Ipad	1/2"	6.69" x 10.63" x 0.75"
SLD-IPL-500			Ipad	1/2"	8.11" x 12.09" x 0.75"

SPEAKERS

SL-WICS7R-030			Wisdom Speaker Round Mount	1/16"	11.67" x 0.56"
SL-WICS7S-030			Wisdom Speaker Square Mount	1/16"	11.67" x 0.57"
SL-SIC6R-062			Theory Speaker Round Mount	1/16"	9.52" x 0.28"
SL-SIC6S-062			Theory Speaker Square Mount	1/16"	9.52" x 0.28"

CAMERAS

SL-C2ER-110			Verkada Camera Mount		4.57" x 0.51"
LIGHTING					
SL-1006			Rectangular step light	N/A	6.69" x 2.01"
SL-1009			Rectangular step light	N/A	9.69" x 2.01"
SL-1012			Rectangular step light	N/A	12.68" x 2.01"
SL-2001			Square step light	N/A	3.46" x 3.46"
SL-2002			Round step light	N/A	3.46" x 3.46"
SL-2003			bell shape step light	N/A	3.27" x 3.5"
SL-2004			Heart shape step light	N/A	3.29" x 3.25"

SLS-GLC-15			Linear lighting cover channel double led	N/A	
SLS-GLC15-CR			Gypsum lighting ceiling/wall cover corner	N/A	
SLS-GLC15-EC			Gypsum lighting ceiling/wall cover end cap	N/A	
SLS-GLC15-CW			Gypsum lighting ceiling/wall cover ceiling to wall	N/A	
SLS-GLCC15			Gypsum lighting crown cover	N/A	
SLS-GLCC15CR			Gypsum lighting crown cover corner	N/A	
SLS-GLCC15TRC			Gypsum lighting crown cover three corner	N/A	
ACCESSORIES					
SLS-SC3			3 head suction	N/A	
SLS-1G-RING			1-gang 4" box extension mud ring	N/A	