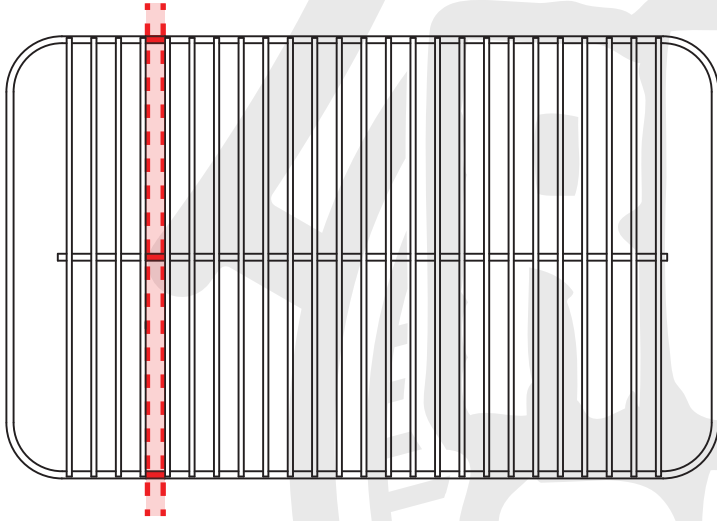




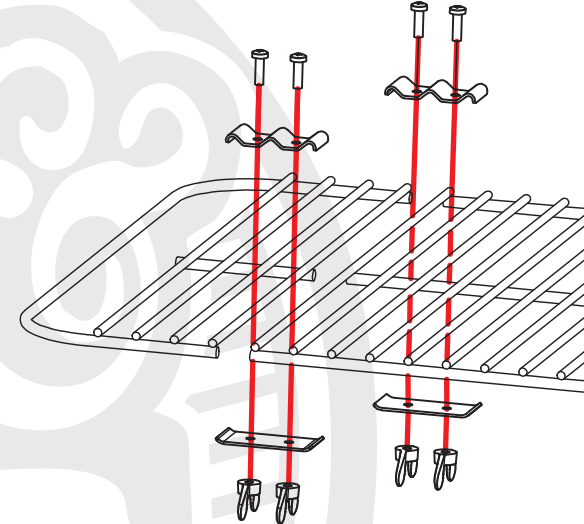
HOW TO INSTALL GA COOKING GRATE HINGES



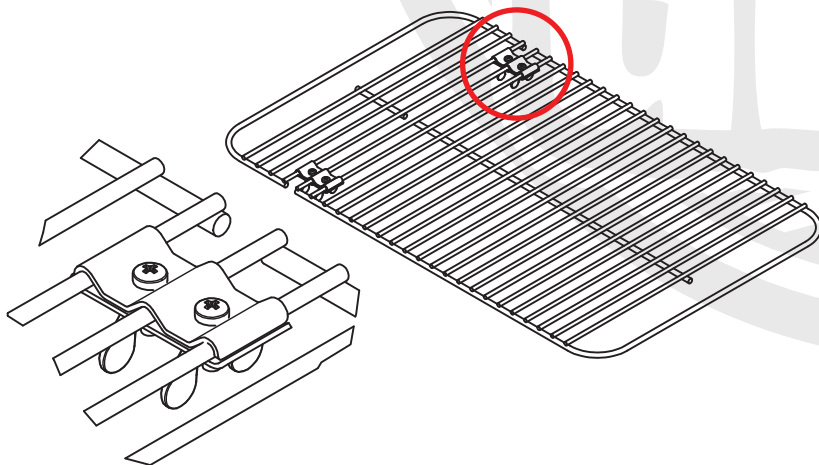
- 1** USING A HACK SAW, ANGLE GRINDER OR ALIKE CUTTING TOOL, REMOVE A SECTION OF THE COOKING GRATE.



- 2** ALIGN THE HINGE PLATES TO THE COOKING GRATE WITH THE WAVY PLATES ON TOP & FLAT PLATES ON THE BOTTOM.



- 3** FASTEN THE HINGE PLATES TO THE GRATE USING THE BOLTS & WING NUTS PROVIDED.



- 4** ALL DONE! TIME TO FIRE UP THE GA, TEST CLICK THOSE TONGS AND START COOKING.

