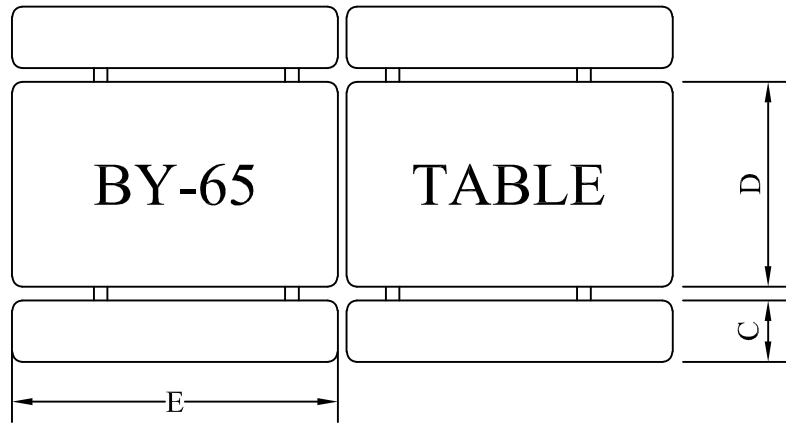
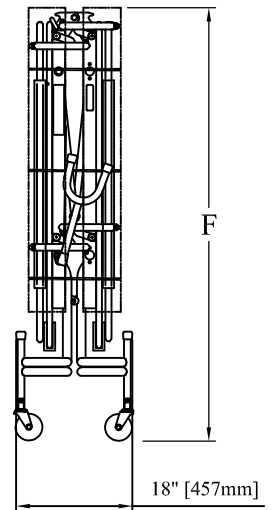
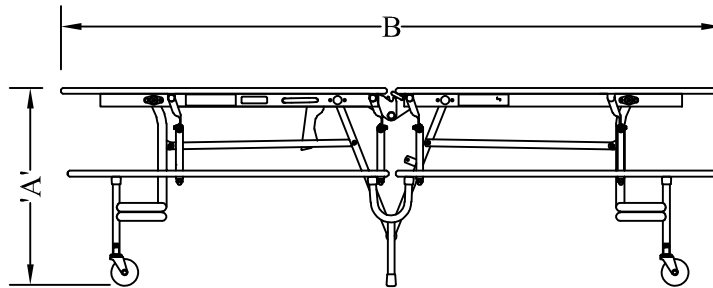
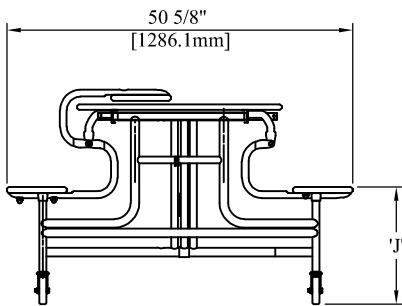
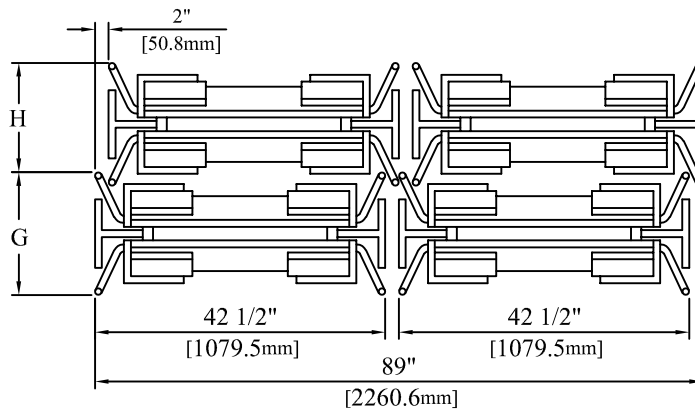


# BY-65 (BENCH) TABLE SEATING UNIT



FOUR TABLES SHOWN NESTED IN STORAGE POSITION  
(Transport Lock Over-Ridden)



(Transport Lock Over-Ridden)

Model No.	Description	Dim A OPTIONS			Dim B (mm)	Dim C (mm)	Dim D (mm)	Dim E (mm)	Weight	Dim F (mm)	Dim G (mm)	Dim H (mm)	Dim J (mm)		
		25"	27"	29"									25"	27"	29"
TBA41/53	SICO 8' BY-65 TABLE	25"	27"	29"	2440	230	762	1220	95 kg	1529	457	406	25"	27"	29"
		64cm	69cm	74cm									13.15"	15.15"	17.15"
TBB41/53	SICO 10' BY-65 TABLE	25"	27"	29"	3048	230	762	1524	109 kg	1758	457	406	13.15"	15.15"	17.15"
		64cm	69cm	74cm									33.4cm	38.5cm	43.6cm
TBC41/53	SICO 12' BY-65 TABLE		27"	29"	3658	230	762	1830	122 kg	1986	457	406		15.15"	17.15"
			69cm	74cm										38.5cm	43.6cm