

BOSTITCH®

N89C

COIL-FED PNEUMATIC FRAMING NAILER
CLAVADORA NEUMÁTICA ALIMENTADA POR ROLLO
CLOUEUR PNEUMATIQUE À ENROULEMENT



OPERATION and MAINTENANCE MANUAL
MANUAL DE OPERACIÓN Y DE MANTENIMIENTO
MANUEL D'INSTRUCTIONS ET D'ENTRETIEN

▲WARNING:

▲ADVERTENCIA:

▲ATTENTION:

BEFORE OPERATING THIS TOOL, ALL OPERATORS SHOULD STUDY THIS MANUAL TO UNDERSTAND AND FOLLOW THE SAFETY WARNINGS AND INSTRUCTIONS. KEEP THESE INSTRUCTIONS WITH THE TOOL FOR FUTURE REFERENCE. IF YOU HAVE ANY QUESTIONS, CONTACT YOUR BOSTITCH REPRESENTATIVE OR DISTRIBUTOR.

ANTES DE OPERAR ESTA HERRAMIENTA, TODOS LOS OPERADORES DEBERÁN ESTUDIAR ESTE MANUAL PARA PODER COMPRENDER Y SEGUIR LAS ADVERTENCIAS SOBRE SEGURIDAD Y LAS INSTRUCCIONES. MANTENGA ESTAS INSTRUCCIONES CON LA HERRAMIENTA PARA FUTURA REFERENCIA, SI TIENE ALGUNA DUDA, COMUNÍQUESE CON SU REPRESENTANTE DE BOSTITCH O CON SU DISTRIBUIDOR.

LIRE ATTENTIVEMENT LE PRÉSENT MANUEL AVANT D'UTILISER L'APPAREIL. PRÊTER UNE ATTENTION TOUTE PARTICULIÈRE AUX CONSIGNES DE SÉCURITÉ ET AUX AVERTISSEMENTS. GARDER CE MANUEL AVEC L'OUTIL POUR FUTUR RÉFÉRENCE. SI VOUS AVEZ DES QUESTIONS, CONTACTEZ VOTRE REPRÉSENTANT OU VOTRE CONCESSIONNAIRE BOSTITCH.

BOSTITCH®

INTRODUCTION

The BOSTITCH N89C is a precision-built tool, designed for high speed, high volume fastening. These tools will deliver efficient, dependable service when used correctly and with care. As with any fine tool, for best performance the manufacturer's instructions must be followed. Please study this manual before operating the tool and understand the safety warnings and cautions. The instructions on installation, operation and maintenance should be read carefully, and the manual kept for reference. NOTE: Additional safety measures may be required because of your particular application of the tool. Contact your BOSTITCH representative or distributor with any questions concerning the tool and its use. BOSTITCH, East Greenwich, Rhode Island 02818.

INDEX

Safety Instructions	3
Tool Specifications	4
Operation	4
Air Supply and Connections	5
Lubrication	5
Loading the Tool	6
Fastener Depth Control Adjustment	7
Directional Exhaust	7
Tool Operation	8, 9
Tool Operation Check	9, 10
Maintaining the Pneumatic Tool	10
Trouble Shooting	11

NOTE:

BOSTITCH tools have been engineered to provide excellent customer satisfaction and are designed to achieve maximum performance when used with precision BOSTITCH fasteners engineered to the same exacting standards. **BOSTITCH cannot assume responsibility for product performance if our tools are used with fasteners or accessories not meeting the specific requirements established for genuine BOSTITCH nails, staples and accessories.**



LIMITED WARRANTY – U.S. and Canada Only

Effective December 1, 2005 Bostitch, L.P. warrants to the original retail purchaser that the product purchased is free from defects in material and workmanship, and agrees to repair or replace, at Bostitch's option, any defective Bostitch branded pneumatic stapler or nailer for a period of seven (7) years from date of purchase (one (1) year from the date of purchase for compressors and tools used in production applications). Warranty is not transferable. Proof of purchase date required. This warranty covers only damage resulting from defects in material or workmanship; it does not cover conditions or malfunctions resulting from normal wear, neglect, abuse, accident or repairs attempted or made by other than our national repair center or authorized warranty service centers. Driver blades, bumpers, o-rings, pistons and piston rings are considered normally wearing parts. For optimal performance of your Bostitch tool always use genuine Bostitch fasteners and replacement parts.

THIS WARRANTY IS IN LIEU OF ALL OTHER WARRANTIES, EXPRESS OR IMPLIED, INCLUDING BUT NOT LIMITED TO THE IMPLIED WARRANTIES OF MERCHANTABILITY OR FITNESS FOR A PARTICULAR PURPOSE. BOSTITCH SHALL NOT BE LIABLE FOR ANY INCIDENTAL OR CONSEQUENTIAL DAMAGES.

Some states and countries do not allow limitations on how long an implied warranty lasts, or the exclusion or limitation of incidental or consequential damages, so the above limitations or exclusions may not apply to you. This warranty gives you specific legal rights, and you may also have other rights which vary from state to state and country to country.

To obtain warranty service in the U.S. return the product, together with proof of purchase, to the U.S. Bostitch National or Regional Independent Authorized Warranty Service Center. In the U.S. you may call us at 1-800-556-6696 or visit www.BOSTITCH.com for the location most convenient for you. In Canada please call us at 1-800-567-7705 or visit www.BOSTITCH.com

SAFETY INSTRUCTIONS

⚠WARNING:

EYE PROTECTION which conforms to ANSI specifications and provides protection against flying particles both from the FRONT and SIDE should ALWAYS be worn by the operator and others in the work area when connecting to air supply, loading, operating or servicing this tool. Eye protection is required to guard against flying fasteners and debris, which could cause severe eye injury.



The employer and/or user must ensure that proper eye protection is worn. Eye protection equipment must conform to the requirements of the American National Standards Institute, ANSI Z87.1 and provide both frontal and side protection. NOTE: Non-side shielded spectacles and face shields alone do not provide adequate protection.



CAUTION: Additional Safety Protection will be required in some environments. For example, the working area may include exposure to noise level which can lead to hearing damage. The employer and user must ensure that any necessary hearing protection is provided and used by the operator and others in the work area. Some environments will require the use of head protection equipment. When required, the employer and user must ensure that head protection conforming to ANSI Z89.1 is used.

AIR SUPPLY AND CONNECTIONS

⚠WARNING:

Do not use oxygen, combustible gases, or bottled gases as a power source for this tool as tool may explode, possibly causing injury.

⚠WARNING:

Do not use supply sources which can potentially exceed 200 P.S.I.G. as tool may burst, possibly causing injury.

⚠WARNING:

The connector on the tool must not hold pressure when air supply is disconnected. If a wrong fitting is used, the tool can remain charged with air after disconnecting and thus will be able to drive a fastener even after the air line is disconnected possibly causing injury.

⚠WARNING:

Do not pull trigger or depress contact arm while connected to the air supply as the tool may cycle, possibly causing injury.

⚠WARNING:

Always disconnect air supply: 1.) Before making adjustments; 2.) When servicing the tool; 3.) When clearing a jam; 4.) When tool is not in use; 5.) When moving to a different work area, as accidental actuation may occur, possibly causing injury.

LOADING TOOL

⚠WARNING:

When loading tool: 1.) Never place a hand or any part of body in fastener discharge area of tool; 2.) Never point tool at anyone; 3.) Do not pull the trigger or depress the trip as accidental actuation may occur, possibly causing injury.

OPERATION

⚠WARNING:

Always handle the tool with care: 1.) Never engage in horseplay; 2.) Never pull the trigger unless nose is directed toward the work; 3.) Keep others a safe distance from the tool while tool is in operation as accidental actuation may occur, possibly causing injury.

⚠WARNING:

The operator must not hold the trigger pulled on contact arm tools except during fastening operation as serious injury could result if the trip accidentally contacted someone or something, causing the tool to cycle.

⚠WARNING:

Keep hands and body away from the discharge area of the tool. A contact arm tool may bounce from the recoil of driving a fastener and an unwanted second fastener may be driven possibly causing injury.

⚠WARNING:

Check operation of the contact arm mechanism frequently. Do not use the tool if the arm is not working correctly as accidental driving of a fastener may result. Do not interfere with the proper operation of the contact arm mechanism.

⚠WARNING:

Do not drive fasteners on top of other fasteners or with the tool at an overly steep angle as this may cause deflection of fasteners which could cause injury.

⚠WARNING:

Do not drive fasteners close to the edge of the work piece as the wood may split, allowing the fastener to be deflected possibly causing injury.

⚠WARNING:

This nailer produces SPARKS during operation. NEVER use the nailer near flammable substances, gases or vapors including lacquer, paint, benzene, thinner, gasoline, adhesives, mastics, glues or any other material that is – or the vapors, fumes or byproducts of which are – flammable, combustible or explosive. Using the nailer in any such environment could cause an EXPLOSION resulting in personal injury or death to user and bystanders.

⚠WARNING:

Never use rafter hook to hang tool from body, clothing or belt.

MAINTAINING THE TOOL

⚠WARNING:

When working on air tools note the warnings in this manual and use extra care when evaluating problem tools.

N89C TOOL SPECIFICATIONS

All screws and nuts are metric.

MODEL	TOOL ACTUATION	LENGTH	HEIGHT	WIDTH	WEIGHT
N89C-1	Contact Trip (with sequential trip option)	12-1/4" (311 mm)	14" (355 mm)	5-1/4" (133.4mm)	8.2 lb (3.7 kg)
N89C-2	Sequential Trip	12-1/4" (311 mm)	14" (355 mm)	5-1/4" (133.4mm)	8.2 lb (3.7 kg)
N89C-HQ	Contact Trip	12-1/4" (311 mm)	14" (355 mm)	5-1/4" (133.4mm)	8.2 lb (3.7 kg)

FASTENER SPECIFICATIONS:

The N89C tools uses wire collated coil nails in lengths of 2" to 3-1/2" (50 - 90mm) with shank diameters of .099" - .131" (2.5 - 3.3mm)

The N89C-HQ tools uses the same nails as the N89C, but is optimized to accept wire collated 2-1/2" and 3" (63.5mm and 76.2mm) Hurriquake® nails with shank diameters of .113" and .131" (2.9mm and 3.3mm)

TOOL AIR FITTING:

This tool uses a free-flow connector plug, 1/4" N.P.T. The minimum inside diameter should be .275" (7mm). The fitting must be capable of discharging tool air pressure when disconnected from the air supply.

OPERATING PRESSURE:

70 to 120 p.s.i.g. (4.8 to 8.3 kg/cm²). Select the operating pressure within this range for best fastener performance.

DO NOT EXCEED THE RECOMMENDED OPERATING PRESSURE.

AIR CONSUMPTION:

The N89C requires 8.23 cubic feet per minute (233 liters per minute) of free air to operate at the rate of 100 nails per minute, at 80 p.s.i. (5.6 kg/cm²). Take the actual rate at which the tool will be run to determine the amount of air required. For instance, if your fastener usage averages 50 nails per minute, you need 50% of the 8.23 c.f.m. (233 liters per minute) which is required to operate the tool at 100 nails per minute.

OPERATION

BOSTITCH OFFERS TWO MODES OF OPERATION FOR THIS SERIES TOOL.

SEQUENTIAL TRIP (Grey trigger):

The Sequential Trip requires the operator to hold the tool against the work surface before pulling the trigger. This makes accurate fastener placement easier, for instance on framing, toe nailing and crating applications. The Sequential Trip allows exact fastener placement without the possibility of driving a second fastener on recoil, as described under "Contact Trip". The Sequential Trip Tool has a positive safety advantage because it will not accidentally drive a second fastener if the tool is contacted against the work – or anything else – while the operator is holding the trigger pulled.

CONTACT TRIP (Black trigger):

The common operating procedure on "Contact Trip" tools is for the operator to contact the work surface to actuate the trip mechanism while keeping the trigger pulled, thus driving a fastener each time the work is contacted. This will allow rapid fastener placement on many jobs, such as sheathing, decking and pallet assembly. All pneumatic tools are subject to recoil when driving fasteners. The tool may bounce, releasing the trip, and if unintentionally allowed to re-contact the work surface with the trigger still actuated (finger still holding trigger pulled) an unwanted second fastener will be driven.

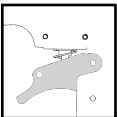
MODEL IDENTIFICATION:

Refer to Operation Instructions on page 8 before proceeding to use this tool.

SEQUENTIAL TRIP

Identified by:

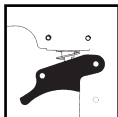
GREY TRIGGER



CONTACT TRIP

Identified by:

BLACK TRIGGER



AIR SUPPLY AND CONNECTIONS

⚠WARNING: Do not use oxygen, combustible gases, or bottled gases as a power source for this tool as tool may explode, possibly causing injury.

FITTINGS:

Install a male plug on the tool which is free flowing and which will release air pressure from the tool when disconnected from the supply source.

HOSES:

Air hoses should have a minimum of 150 p.s.i. (10.6 kg/cm²) working pressure rating or 150 percent of the maximum pressure that could be produced in the air system. The supply hose should contain a fitting that will provide "quick disconnecting" from the male plug on the tool.

SUPPLY SOURCE:

Use only clean regulated compressed air as a power source for this tool. NEVER USE OXYGEN, COMBUSTIBLE GASES, OR BOTTLED GASES, AS A POWER SOURCE FOR THIS TOOL AS TOOL MAY EXPLODE.

REGULATOR:

A pressure regulator with an operating pressure of 0 - 125 p.s.i. (0 - 8.79 kg/cm²) is required to control the operating pressure for safe operation of this tool. Do not connect this tool to air pressure which can potentially exceed 200 p.s.i. (14 kg/cm²) as tool may fracture or burst, possibly causing injury.

OPERATING PRESSURE:

Do not exceed recommended maximum operating pressure as tool wear will be greatly increased. The air supply must be capable of maintaining the operating pressure at the tool. Pressure drops in the air supply can reduce the tool's driving power. Refer to "TOOL SPECIFICATIONS" for setting the correct operating pressure for the tool.

FILTER:

Dirt and water in the air supply are major causes of wear in pneumatic tools. A filter will help to get the best performance and minimum wear from the tool. The filter must have adequate flow capacity for the specific installation. The filter has to be kept clean to be effective in providing clean compressed air to the tool. Consult the manufacturer's instructions on proper maintenance of your filter. A dirty and clogged filter will cause a pressure drop which will reduce the tool's performance.

LUBRICATION

Frequent, but not excessive, lubrication is required for best performance. Oil added through the air line connection will lubricate the internal parts. Use BOSTITCH air tool lubricant, Mobil Velocite #10, or equivalent. Do not use detergent oil or additives as these lubricants will cause accelerated wear to the seals and bumpers in the tool, resulting in poor tool performance and frequent tool maintenance.

If no airline lubricator is used, add oil during use into the air fitting on the tool once or twice a day. Only a few drops of oil at a time is necessary. Too much oil will only collect inside the tool and will be noticeable in the exhaust cycle.

COLD WEATHER OPERATION:

For cold weather operation, near and below freezing, the moisture in the air line may freeze and prevent tool operation. We recommend the use of BOSTITCH winter formula air tool lubricant or permanent antifreeze (ethylene glycol) as a cold weather lubricant.

CAUTION: Do not store tools in a cold weather environment to prevent frost or ice formation on the tools operating valves and mechanisms that could cause tool failure.

NOTE: Some commercial air line drying liquids are harmful to "O"-rings and seals – do not use these low temperature air dryers without checking compatibility.

LOADING THE N89C

⚠WARNING:

EYE PROTECTION which conforms to ANSI specifications and provides protection against flying particles both from the FRONT and SIDE should ALWAYS be worn by the operator and others in the work area when connecting to air supply, loading, operating or servicing this tool. Eye protection is required to guard against flying fasteners and debris, which could cause severe eye injury.



The employer and/or user must ensure that proper eye protection is worn. Eye protection equipment must conform to the requirements of the American National Standards Institute, ANSI Z87.1 and provide both frontal and side protection. NOTE: Non-side shielded spectacles and face shields alone do not provide adequate protection.

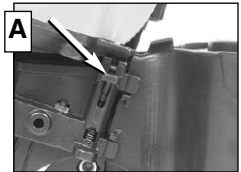
⚠WARNING:

TO PREVENT ACCIDENTAL INJURIES:

- Never place a hand or any other part of the body in nail discharge area of tool while the air supply is connected.
- Never point the tool at anyone else.
- Never engage in horseplay.
- Never pull the trigger unless nose is directed at the work.
- Always handle the tool with care.
- Do not pull the trigger or depress the trip mechanism while loading the tool.

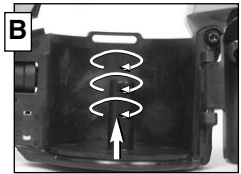
1. Open the canister:

Pull down door latch and swing door/canister cover outward. Fig.A



2. Check Adjustment:

The nailer must be set for the length of nail to be used. Nails will not feed smoothly if the canister is not correctly adjusted. The canister contains an adjustable nail platform on which the nail coil rests. The nail platform can be moved up and down to four nail settings. To change setting pull up on the post and twist to the correct step. Fig.B



PLATFORM SETTINGS

1st Step: 2" – 2-1/2" (50 - 65mm) nails

2nd Step: 2-3/4" – 3" (70 - 75mm) nails

3rd Step: 3-1/4" – 3-1/2" (80 - 90mm) nails

3. Load the coil of nails:

Place the coil of nails over the post in the canister. Uncoil enough nails to reach the feed pawl. Place the first nail in front of the front tooth on the feed pawl, in the driver channel. The nail heads must be in the slot in the nose. Fig. C



NOTE: Use only nails recommended by BOSTITCH for N89C series nailers or nails which meet BOSTITCH specifications.

4. Swing cover closed

5. Close the door:

Check that latch engages. (If it does not engage, check that the nail heads are in the slot on the nose.)

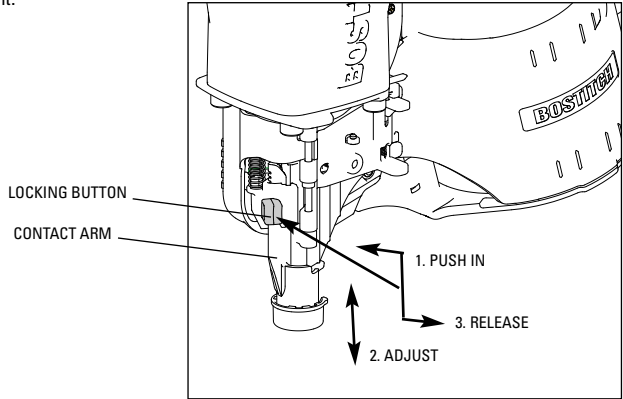
FASTENER DEPTH CONTROL ADJUSTMENT

The Fastener Depth Control Adjustment feature on this tool provides control of the nail drive depth from flush with or just above the work surface to shallow or deep countersink.

TO ADJUST THE FASTENER DEPTH CONTROL:

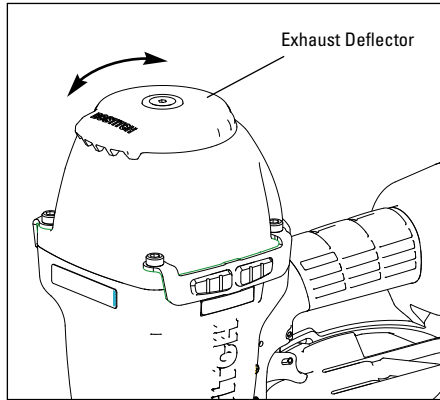
⚠WARNING: Disconnect tool from air supply before attempting any parts disassembly and before changing the work contacting element adjustment.

1. Push in on locking button.
2. Adjust contact arm up to increase depth of drive or down to decrease it.
3. Release locking button



DIRECTIONAL EXHAUST DEFLECTOR

The adjustable exhaust deflector can be rotated into any desired position by hand without the use of any tools.



TOOL OPERATION

⚠WARNING:



EYE PROTECTION which conforms to ANSI specifications and provides protection against flying particles both from the FRONT and SIDE should ALWAYS be worn by the operator and others in the work area when connecting to air supply, loading, operating or servicing this tool. Eye protection is required to guard against flying fasteners and debris, which could cause severe eye injury.

The employer and/or user must ensure that proper eye protection is worn. Eye protection equipment must conform to the requirements of the American National Standards Institute, ANSI Z87.1 and provide both frontal and side protection. **NOTE:** Non-side shielded spectacles and face shields alone do not provide adequate protection.

BEFORE HANDLING OR OPERATING THIS TOOL:

- I. READ AND UNDERSTAND THE WARNINGS CONTAINED IN THIS MANUAL.
- II. REFER TO “TOOL SPECIFICATIONS” IN THIS MANUAL TO IDENTIFY THE OPERATING SYSTEM ON YOUR TOOL.

There are two available operation modes on these BOSTITCH pneumatic tools. They are:

1. SEQUENTIAL TRIP OPERATION
2. CONTACT TRIP OPERATION

OPERATION

BOSTITCH offers two types of triggers for pneumatic tools: Sequential Trip (gray trigger) and Contact Trip (black trigger). Each trigger has specific advantages. You should evaluate your particular construction project to determine which trigger is best.

Your tool was shipped from the factory in the Sequential Trip (gray trigger) configuration. It can easily be converted to the Contact Trip (black trigger) mode of operation.

1. SEQUENTIAL TRIP OPERATION (GRAY TRIGGER):

The Sequential Trip (gray trigger) gets its name from the “sequence” required to drive a fastener. To drive a fastener, the operator must first depress the “trip” FULLY against the work surface and then pull the trigger. To drive a second nail, the operator must lift the tool from the work surface, release the trigger and then repeat the above sequence.

1. **The Sequential Trip (gray trigger):** offers a positive safety advantage since it will not accidentally drive a fastener if the tool is bumped against any surface or anybody while the operator is holding the tools with the trigger pulled.
2. **The Sequential Trip (gray trigger):** allows “place nailing” without the possibility of driving a second, unwanted fastener on recoil as described below under “Contact Trip”.

2. CONTACT TRIP (CONVENTIONAL) OPERATION (BLACK TRIGGER):

Your new BOSTITCH tool can be configured for use in Contact Trip mode. To drive a nail, the “trip” and the trigger must both be depressed. In Contact Trip tools, the trigger may be depressed and held, and each “contact” between the trip and the work surface will drive a nail.

A. SINGLE FASTENER PLACEMENT (Place Nailing) -- First position the “trip” FULLY on the work surface, WITHOUT PULLING THE TRIGGER. Depress the “trip” FULLY until the nose of the tool touches the work surface and then pull the trigger to drive a nail. Do not press the tool against the work surface with extra force. Instead, allow the tool to recoil off the work surface to avoid a second unwanted fastener. **Note:** remove your finger from the trigger after each operation.

B. RAPID FIRE OPERATION (“Bump” Nailing) – First, hold the tool with the “trip” pointing towards but not touching the work surface. Pull the trigger and then tap or “bump” the trip against the work surface using a bouncing motion. Each depression of the “trip” will cause a nail to be driven.

TOOL OPERATION (CONTINUED)

- ⚠WARNING:** The Contact Trip (black) will not prevent a nail from being accidentally driven if the trigger is depressed and the “trip” is bumped against any object or person. Never hold or carry the tool with your finger on the trigger. Only depress and hold trigger when you intend to rapidly drive multiple nails and the tool is pointed at the work surface.
- ⚠WARNING:** Never use contact trigger (black trigger) with metal connector attachment. Only use sequential trigger (grey trigger) with metal connector attachment. Refer to trigger conversion instruction included in the kit.
- ⚠WARNING:** When using conventional Contact Trip for Place Nailing, the tool may bounce due to recoil, and if the tool is allowed to re-contact the work surface while you are holding the trigger pulled, a second unwanted nail will be driven. You should allow the tool to recoil far enough to release the trip and avoid a second cycle. Don't push the tool down extra hard; let the tool do the work.
- ⚠WARNING:** The operator must not hold the trigger pulled on contact trip tools except during fastening operation, as serious injury could result if the trip accidentally contacted someone or something, causing the tool to cycle.
- ⚠WARNING:** Keep hands and body away from the discharge area of the tool. A contact trip tool may bounce from the recoil of driving a fastener and an unwanted second fastener may be driven, possibly causing injury.
- ⚠WARNING:** Never use rafter hook to hang tool from body, clothing or belt.

TOOL OPERATION CHECK

CAUTION: Remove all fasteners from tool before performing tool operation check.

1. SEQUENTIAL TRIP OPERATION:

- A. Press the contact trip against the work surface, without touching the trigger.
THE TOOL MUST NOT CYCLE.
- B. Hold the tool off the work surface and pull the trigger.
THE TOOL MUST NOT CYCLE.
Release the trigger. The trigger must return to the trigger stop on the frame.
- C. Pull the trigger and press the contact trip against the work surface.
THE TOOL MUST NOT CYCLE.
- D. With finger off the trigger, press the contact trip against the work surface. Pull the trigger.
THE TOOL MUST CYCLE.

2. CONTACT TRIP OPERATION:

- A. With finger off the trigger, press the contact trip against the work surface.
THE TOOL MUST NOT CYCLE.
- B. Hold the tool off the work surface, and pull the trigger.
THE TOOL MUST NOT CYCLE.
- C. With the tool off the work surface, pull the trigger. Press the contact trip against the work surface.
THE TOOL MUST CYCLE.
- D. Without touching the trigger, press the contact trip against the work surface, then pull the trigger.
THE TOOL MUST CYCLE.

TOOL OPERATION CHECK CONTINUED:

IN ADDITION TO THE OTHER WARNINGS CONTAINED IN THIS MANUAL OBSERVE THE FOLLOWING FOR SAFE OPERATION

- Use the BOSTITCH pneumatic tool only for the purpose for which it was designed.
- Never use this tool in a manner that could cause a fastener to be directed toward the user or others in the work area.
- Do not use the tool as a hammer.
- Always carry the tool by the handle. Never carry the tool by the air hose.
- Do not alter or modify this tool from the original design or function without approval from BOSTITCH
- Always be aware that misuse and improper handling of this tool can cause injury to yourself and others.
- Never clamp or tape the trigger or contact trip in an actuated position.
- Never leave a tool unattended with the air hose attached.
- Do not operate this tool if it does not contain a legible WARNING LABEL.
- Do not continue to use a tool that leaks air or does not function properly. Notify your nearest BOSTITCH representative if your tool continues to experience functional problems.

MAINTAINING THE PNEUMATIC TOOL

⚠WARNING: When working on air tools, note the warnings in this manual and use extra care evaluating problem tools.

REPLACEMENT PARTS:

BOSTITCH replacement parts are recommended. Do not use modified parts or parts which will not give equivalent performance to the original equipment.

ASSEMBLY PROCEDURE FOR SEALS:

When repairing a tool, make sure the internal parts are clean and lubricated. Use Parker "O"-LUBE or equivalent on all "O"-rings. Coat each "O"-ring with "O"-LUBE before assembling. Use a small amount of oil on all moving surfaces and pivots. After reassembly add a few drops of BOSTITCH Air Tool Lubricant through the air line fitting before testing.

AIR SUPPLY-PRESSURE AND VOLUME:

Air volume is as important as air pressure. The air volume supplied to the tool may be inadequate because of undersize fittings and hoses, or from the effects of dirt and water in the system. Restricted air flow will prevent the tool from receiving an adequate volume of air, even though the pressure reading is high. The results will be slow operation, misfeeds or reduced driving power. Before evaluating tool problems for these symptoms, trace the air supply from the tool to the supply source for restrictive connectors, swivel fittings, low points containing water and anything else that would prevent full volume flow of air to the tool.

TROUBLESHOOTING

<u>PROBLEM</u>	<u>CAUSE</u>	<u>CORRECTION</u>	
Trigger valve stem leaks air	O-ring cut or cracked	.Replace O-ring	
	O-ring/seals cut or cracked	.Replace trigger valve assembly	
Frame/nose leaks air	Loose nose screws	.Tighten and recheck	
	O-ring or Gasket is cut or cracked	.Replace O-ring or gasket	
Frame/cap leaks air	Bumper cracked/worn	.Replace bumper	
	Damaged gasket or seal	.Replace gasket or seal	
	Cracked/worn head valve bumper	.Replace bumper	
	Loose cap screws	.Tighten and recheck	
Failure to cycle	Air supply restriction	.Check air supply equipment	
	Tool dry, lack of lubrication	.Use BOSTITCH Air Tool Lubricant	
	Worn head valve O-rings	.Replace O-rings	
	Broken cylinder cap spring	.Replace cylinder cap spring	
Lack of power; slow to cycle	Head valve stuck in cap	.Disassemble/Check/Lubricate	
	Tool dry, lacks lubrication	.Use BOSTITCH Air Tool Lubricant	
	Broken cylinder cap spring	.Replace cap spring	
	O-rings/seals cut or cracked	.Replace O-rings/seals	
	Exhaust blocked	.Check bumper, head valve spring, muffler	
	Trigger assembly worn/leaks	.Replace trigger assembly	
	Dirt/tar build up on driver	.Disassemble nose/driver to clean	
	Cylinder sleeve not seated correctly on bottom bumper	.Disassemble to correct	
	Head valve dry	.Disassemble/lubricate	
	Air pressure too low	.Check air supply equipment	
	Skipping fasteners; intermittent feed	Worn bumper	.Replace bumper
		Tar/dirt in driver channel	.Disassemble and clean nose and driver
Air restriction/inadequate air flow through quick disconnect socket and plug		.Replace quick disconnect fittings	
Worn piston O-ring		.Replace O-ring, check driver	
Tool dry, lacks lubrication		.Use BOSTITCH Air Tool Lubricant	
Damaged feed piston spring		.Replace spring	
Low air pressure		.Check air supply system to tool	
Loose canister nose screws		.Tighten all screws	
Fasteners too short for tool		.Use only recommended fasteners	
Bent fasteners		.Discontinue using these fasteners	
Wrong size fasteners		.Use only recommended fasteners	
Leaking head cap gasket		.Tighten screws/replace gasket	
Trigger valve O-ring cut/worn		.Replace O-ring	
Broken/chipped driver		.Replace driver (check piston O-ring)	
Dry/dirty magazine		.Clean/lubricate use BOSTITCH Air Tool Lubricant	
Fasteners jam in tool		Driver channel worn	.Replace nose/check door
	Wrong size fasteners	.Use only recommended fasteners	
	Bent fasteners	.Discontinue using these fasteners	
	Loose canister/nose screws	.Tighten all screws	
	Broken/chipped driver	.Replace driver	

COIL NAILERS

Skipping fasteners; intermittent feed	Feed piston dry	.Add BOSTITCH Air Tool Lubricant in hole in feed piston cover
	Feed piston O-rings cracked/worn	.Replace O-rings/check bumper and spring. Lubricate assembly.
	Check Pawl binding	.Inspect Pawl and spring on door. Must work freely.
	Canister bottom not set correctly	.Set canister bottom for length of nails being used
Fasteners jam in tool/canister	Broken weld wires in nail coil	.Remove coil of nails and use another coil
	Wrong size fasteners for tool	.Use only recommended fasteners/check canister bottom adjustment
	Broken welded wires in nail coil	.Remove coil of nails and use another coil
	Wrong slide plate adjustment for wire collated nail coil	.Adjust switch pins for wire collated nail coil

INTRODUCCIÓN

La BOSTITCH N89C son unas herramienta clavadora construida a precisión, diseñada para funcionar a alta velocidad y con alto volumen. Estas herramientas entregan un servicio eficiente y fiable cuando se usan correctamente y con cuidado. Al igual que con toda herramienta de calidad, deben seguirse las instrucciones del fabricante para obtener el óptimo rendimiento. Estudie este manual antes de operar la herramienta y entender las advertencias y precauciones de seguridad. Deben leerse en detalle las instrucciones sobre la instalación, operación y mantenimiento, y debe conservarse el manual para referencia. **NOTA:** Pueden necesitarse medidas adicionales de seguridad según la aplicación particular de la herramienta. Póngase en contacto con su representante o distribuidor de BOSTITCH en relación con cualquier pregunta o duda relativa a esta herramienta y su uso. BOSTITCH, East Greenwich, Rhode Island 02818.

ÍNDICE

Instrucciones de seguridad	13
Especificaciones de la herramienta	14
Operación	14
Suministro de aire y conexiones	15
Lubricación	15
Carga de la herramienta	16
Ajuste de control de profundidad del clavo	17
Extracción de clavos, escape direccional	17
Funcionamiento de la herramienta	18, 19
Revisión funcional de la herramienta	19, 20
Mantenimiento de la herramienta neumática	20
Solución de problemas	21

NOTA:

Las herramientas de BOSTITCH han sido fabricadas para proporcionar una excelente satisfacción al cliente y están diseñadas para lograr el máximo rendimiento al ser utilizadas con sujetadores de precisión de BOSTITCH que han sido fabricados a las mismas normas exactas. **BOSTITCH no puede asumir responsabilidad por el rendimiento de un producto si se utilizan nuestras herramientas con sujetadores o accesorios que no cumplen con los requisitos específicos establecidos para clavos, grapas y accesorios auténticos de BOSTITCH.**



GARANTÍA LIMITADA – Sólo EE.UU. y Canadá

A partir del 1 de diciembre de 2005 Bostitch, L.P. garantiza al comprador del comerciante original que el producto comprado está exento de defectos en material y fabricación, y se compromete a reparar o reemplazar, a opción de Bostitch, cualquier engrapadora o clavadora neumática defectuosa de marca Bostitch por un período de siete (7) años desde la fecha de compra (un (1) año de la fecha de compra en el caso de compresores y herramientas utilizadas en aplicaciones de producción). La garantía no es transferible. Se requiere presentar evidencia de la fecha de compra. Esta garantía solamente cubre daños resultantes de defectos en material o fabricación, y no cubre condiciones o desperfectos resultantes del desgaste normal, negligencia, abuso, accidente o reparaciones intentadas o efectuadas por terceros ajenos a nuestro centro nacional de reparaciones o a los centros de servicio bajo garantía. Las aspas del impulsor, topes, juntas tóricas, pistones y aros de pistones se consideran componentes de desgaste normal. Para obtener el rendimiento óptimo de la herramienta Bostitch siempre use fijaciones y piezas de repuesto genuinas de Bostitch.

ESTA GARANTÍA SUSTITUYE TODA OTRA GARANTÍA, EXPRESA O IMPLÍCITA, INCLUIDAS ENTRE OTRAS, LAS GARANTÍAS IMPLÍCITAS DE COMERCIABILIDAD O IDONEIDAD PARA UN FIN PARTICULAR. BOSTITCH NO SERÁ RESPONSABLE DE DAÑOS FORTUITOS O CONSECUENCIALES.

Algunos estados y países no permiten limitaciones a la duración de una garantía implícita ni la exclusión o limitación de daños fortuitos o consecuenciales, de modo que las limitaciones o exclusiones anteriores pueden no corresponder a su caso. Esta garantía le concede derechos legales específicos, y usted puede tener también otros derechos que varían de un estado a otro y de un país a otro.

Para obtener servicio bajo garantía en los EE.UU. devuelva el producto, junto con el comprobante de compra, al Centro de Servicio bajo Garantía Autorizado Independiente Nacional o Regional de Bostitch en los EE.UU. Dentro de los EE.UU. usted puede llamarnos al 1-800-556-6696 o visitar www.BOSTITCH.com para ver la ubicación que más le convenga. En Canadá llámenos al 1-800-567-7705 o visite www.BOSTITCH.com.

INSTRUCCIONES DE SEGURIDAD

⚠ ADVERTENCIA:

Cuando el equipo está conectado al suministro de aire, tanto el operador como todas las personas que se encuentren en el área de trabajo, SIEMPRE deben usar PROTECCIÓN OCULAR que cumpla las especificaciones ANSI para resguardo contra partículas volantes arrojadas desde el FRENTE o los LATERALES. Dicha protección ocular se requiere para proteger contra residuos y remaches volantes, que podrían causar graves lesiones en los ojos.



El empleador y/o usuario debe asegurar que la debida protección para los ojos sea usada. El equipo protector de los ojos debe cumplir con los requisitos del Instituto de Normas Nacionales Americano (American National Standards Institute), ANSI Z87.1 y debe proveer protección de frente y de los lados. NOTA: Las gafas de seguridad que no están protegidas de los lados y las máscaras por sí solas no proveen la debida protección.



PRECAUCIÓN: En algunos entornos será necesaria protección de seguridad adicional. Por ejemplo, es posible que el área de trabajo incluya la exposición a niveles de ruido que pueden dañar el oído. El empleador y el usuario deben asegurarse de que cualquier protección necesaria para los oídos sea provista y utilizada por el operador y demás personas en el área de trabajo. Algunos entornos requieren el uso de aparatos de protección para la cabeza. Cuando sea necesario, el empleador y el usuario deben asegurarse de que se utilice protección para la cabeza en conformidad con la norma ANSI Z89.1.

SUMINISTRO DE AIRE Y CONEXIONES

⚠ ADVERTENCIA:

No utilice oxígeno ni gases combustibles o embotellados como fuente de suministro para esta herramienta, ya que la herramienta puede estallar, posiblemente causando lesiones.

⚠ ADVERTENCIA:

No utilice fuentes de suministro que potencialmente excedan las 14 Kg/cm² (13,8 bars) ya que la herramienta puede estallar, posiblemente causando lesiones.

⚠ ADVERTENCIA:

El conector de la herramienta no debe tener presión al desconectarse el suministro de aire. Si se utiliza una conexión equivocada, la herramienta puede permanecer cargada con aire después de ser desconectada y por lo tanto podrá impulsar un sujetador aún después de que la línea de aire sea desconectada, posiblemente causando lesiones.

⚠ ADVERTENCIA:

No hale el gatillo ni oprima el brazo de contacto mientras la herramienta esté conectada al suministro de aire ya que la herramienta puede ciclarse, posiblemente causando lesiones.

⚠ ADVERTENCIA:

Siempre desconecte el suministro de aire: 1.) Antes de efectuar ajustes; 2.) Al hacerle servicio a la herramienta; 3.) Al despejar un atascamiento; 4.) Cuando la herramienta no esté en uso; 5.) Al mudarse de un área distinta de trabajo, ya que se puede activar accidentalmente, posiblemente causando lesiones.

AL CARGAR LA HERRAMIENTA

⚠ ADVERTENCIA:

Al cargar la herramienta: 1.) Nunca coloque una mano o cualquier otra parte del cuerpo en el área de descarga del sujetador de la herramienta; 2.) Nunca apunte la herramienta hacia otra persona; 3.) No hale el gatillo ni oprima el disparador ya que se puede activar accidentalmente, posiblemente causando lesiones.

OPERACIÓN

⚠ ADVERTENCIA:

Siempre maneje la herramienta con cuidado. 1.) Nunca participe en juegos rudos con la herramienta; 2.) Nunca hale el gatillo al menos que la nariz esté apuntada hacia el trabajo; 3.) Mantenga a las demás personas a una distancia segura de la herramienta mientras la herramienta esté en operación ya que se puede activar accidentalmente, causando posibles lesiones.

⚠ ADVERTENCIA:

No mantenga el gatillo halado en las herramientas del brazo de contacto, salvo durante la operación de engrapado, ya que pueden resultar serias lesiones si el disparador accidentalmente se pusiera en contacto con alguien o con algo, causando que se cicle la herramienta.

⚠ ADVERTENCIA:

Mantenga las manos y el cuerpo alejados del área de descarga de la herramienta. Una herramienta con brazo de contacto puede rebotar debido a la reculada al impulsar un sujetador y se puede impulsar accidentalmente un segundo sujetador, causando posibles lesiones.

⚠ ADVERTENCIA:

Verifique la operación del mecanismo del brazo de contacto frecuentemente. No utilice la herramienta si el brazo no está funcionando correctamente ya que se puede impulsar accidentalmente otro sujetador. No interfiera con la debida operación del mecanismo del brazo de contacto.

⚠ ADVERTENCIA:

No meta los sujetadores encima de otros sujetadores o teniendo la herramienta demasiado inclinada ya que esto podría causar que los sujetadores se desviaran, y a su vez causaran lesiones.

⚠ ADVERTENCIA:

No meta los sujetadores cerca del borde de la pieza de trabajo porque la madera podría separarse, lo que permitiría que el sujetador se desviara y causara lesiones.

⚠ ADVERTENCIA:

Esta clavadora produce CHISPAS durante la operación. NUNCA use la clavadora cerca de sustancias, gases ni vapores inflamables, incluidos diluyentes, lacas, pintura, bencina, gasolina, adhesivos, mástique, pegamentos ni ningún otro material que sea inflamable, combustible o explosivo -- o vapores, emanaciones o subproductos que puedan serlo. Si se usa la clavadora en cualquier ambiente de este tipo podría causar una EXPLOSION produciendo lesiones físicas o fatales para el usuario y las personas en la cercanía.

⚠ ADVERTENCIA:

Nunca use un gancho de vigas para colgarse la herramienta del cuerpo, la ropa o el cinturón.

MANTENIMIENTO DE LA HERRAMIENTA

ADVERTENCIA: Tome nota de las advertencias en este manual al trabajar con herramientas neumáticas y tenga mayor cuidado al evaluar herramientas problemáticas.

ESPECIFICACIONES LA HERRAMIENTA

Todos las medidas de tornillos y tuercas son métricas.

MODELO	HERRAMIENTA ACCIONAMIENTO	LARGO	ALTURA	ANCHO	PESO
N89C-1	Disparo de contacto (Con opción de disparo secuencial)	311mm (12-1/4")	355mm (14")	133,4mm (5-1/4")	3,7 kg (8,2 lb.)
N89C-2	Disparo secuencial	311mm (12-1/4")	355mm (14")	133,4mm (5-1/4")	3,7 kg (8,2 lb.)
N89C-HQ	Disparo de contacto	311mm (12-1/4")	355mm (14")	133,4mm (5-1/4")	3,7 kg (8,2 lb.)

ESPECIFICACIONES DE LOS CLAVOS:

Las herramientas N89C usan rollos de clavos de alambre en largos de 2" a 3-1/2" (50 - 90mm) con diámetros de espiga de 0.099" - 0.131" (2.5 - 3.3 mm)

Las herramientas N89C-HQ usan los mismos clavos que el modelo N89C, pero están optimizadas para aceptar rollos de clavos de alambre de 2-1/2" and 3" (63.5 mm and 76.2mm) clavos Hurriquake® con diámetro de espiga de 0.113" y 0.131" (2.9 mm y 3.3 mm)

CONECTOR DE AIRE DE LA HERRAMIENTA:

Esta herramienta usa un enchufe conector de flujo libre, de 1/4 (pulg.) N.P.T. El diámetro mínimo interior debe ser de 5 mm (0,200 pulg.). El conector debe ser capaz de descargar la presión de aire de la herramienta al desconectarse del suministro de aire.

PRESIÓN OPERATIVA:

4,8 a 8,3 kg/cm² (70 a 120 bars). Seleccione la presión operativa dentro de esta gama para lograr el óptimo rendimiento. **NO SUPERE LA PRESIÓN OPERATIVA RECOMENDADA.**

CONSUMO DE AIRE:

El Modelo N89C necesita 233 litros por minuto (8.23 pies cúbicos por minuto) de aire libre para funcionar a razón de 100 clavos por minuto, a *5.6 kg/cm² (80 p.s.i.). Tome la velocidad real con la cual operará la herramienta para determinar la cantidad de aire necesaria. Por ejemplo, si el uso promedia 50 clavos por minuto, necesita el 50% de los 233 litros por minuto (8.23 pies cúbicos por minuto) que se necesitan para usar la herramienta a razón de 100 clavos por minuto.

OPERACIÓN

BOSTITCH OFRECE DOS MODOS DE OPERACIÓN PARA HERRAMIENTAS DE ESTA SERIE.

DISPARO SECUENCIAL (Gatillo gris):

El disparo secuencial exige que el operador sostenga la herramienta contra la superficie de trabajo antes de accionar el gatillo. Esto facilita la colocación precisa de la fijación, por ejemplo en enmarcado, clavado de bordes y aplicaciones de embalajes. El disparo secuencial permite la ubicación exacta de la fijación sin la posibilidad de impulsar una segunda fijación al rebotar, como se describe en "Disparo de contacto". La herramienta de disparo secuencial tiene una ventaja positiva de seguridad porque no aplica accidentalmente una segunda fijación si la herramienta toma contacto con la superficie de trabajo, o con otra cosa, mientras el operador mantiene el gatillo accionado.

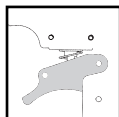
DISPARO DE CONTACTO (Gatillo negro):

El procedimiento operativo común en las herramientas con "Disparo de contacto" es que el operador tome contacto con la superficie de trabajo para activar el mecanismo de disparo manteniendo el gatillo accionado, aplicando así cada fijación cuando se toma contacto con la superficie. Esto permitirá colocar fijaciones más rápidamente en muchos trabajos, como en el caso de enfundados, entablados y ensamblaje de paletas. Todas las herramientas neumáticas pueden rebotar al aplicar fijaciones. La herramienta puede rebotar, liberando el disparo, y si se le permite involuntariamente tomar contacto con la superficie nuevamente con el gatillo todavía accionado (estando el dedo todavía sujetando el gatillo) saldrá otra fijación.

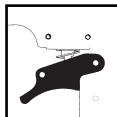
IDENTIFICACIÓN DEL MODELO:

Consulte las Instrucciones de operación en la página 18 antes de proceder a usar esta herramienta.

DISPARO SECUENCIAL
Identificado por:
GATILLO GRIS



DISPARO DE CONTACTO
Identificado por:
GATILLO NEGRO



SUMINISTRO DE AIRE Y CONEXIONES

ADVERTENCIA: No use oxígeno, gases combustibles o gases embotellados como una fuente de suministro para esta herramienta, ya que la herramienta puede estallar, posiblemente causando lesiones.

CONEXIONES:

Instale un enchufe macho en la herramienta que fluya libre y que descargue la presión de aire de la herramienta cuando sea desconectada de la fuente de suministro.

MANGUERAS:

Las mangueras de aire deben tener un mínimo de clasificación de presión de operación de 10,5 Kg/cm² (10,3 bars) ó 150 por ciento de la presión máxima de operación que podría producirse en el sistema de aire. La manguera de suministro debe contener una conexión que provea un “desconectado rápido” del enchufe macho en la herramienta.

FUENTE DE SUMINISTRO:

Use sólo aire comprimido regulado limpio como una fuente de suministro para esta herramienta. NUNCA USE OXÍGENO, GASES COMBUSTIBLES O GASES EMBOTELLADOS COMO UNA FUENTE DE SUMINISTRO PARA ESTA HERRAMIENTA, YA QUE LA HERRAMIENTA PODRÍA ESTALLAR.

REGULADOR:

Se requiere un regulador de presión con una presión de operación de 0-8,7 Kg/cm² (8,6 bars) para controlar la presión de operación para la segura operación de esta herramienta. No conecte esta herramienta a una presión de aire que potencialmente exceda 14 Kg/cm² (13,8 bars), ya que la herramienta puede fracturarse o estallar, posiblemente causando lesiones.

PRESIÓN DE OPERACIÓN:

No exceda una presión de operación. El suministro de aire debe ser capaz de mantener la presión de operación en la herramienta. Las caídas de presión en el suministro de aire pueden reducir la potencia de impulso de la herramienta. Consulte “ESPECIFICACIONES DE LA HERRAMIENTA” para fijar la debida presión de operación para la herramienta.

FILTRO:

La suciedad y el agua en el suministro de aire son causas principales del desgaste en las herramientas neumáticas. Un filtro puede ayudar a obtener el mejor rendimiento y el desgaste mínimo de la herramienta. El filtro debe tener una capacidad de flujo adecuada para la instalación en particular. El filtro debe ser mantenido limpio para que sea eficaz en proveer aire comprimido limpio a la herramienta. Consulte las instrucciones del fabricante para el debido mantenimiento de su filtro. Un filtro sucio y atascado causará una caída de presión que reducirá el rendimiento de la herramienta.

LUBRICACIÓN

Para el mejor rendimiento se requiere una lubricación frecuente pero no excesiva. El aceite añadido a través de la conexión de la línea de aire lubricará las piezas internas. Use el Lubricante de Herramientas de Aire Mobil Velocite #10 de BOSTITCH o un equivalente. No use aceite detergente o aditivos, ya que estos lubricantes causan el desgaste acelerado de los sellos y los amortiguadores de choque en la herramienta, dando como resultado un mal rendimiento de la herramienta y el mantenimiento frecuente de la misma.

Si no se usa un lubricante de línea de aire, añada aceite cuando se esté usando en la conexión de aire en la herramienta una o dos veces al día. Basta con añadir unas cuantas gotas cada vez. Si añade demasiado aceite, se acumulará dentro de la herramienta y se notará en el ciclo de escape.

OPERACIÓN EN LA ÉPOCA DE FRÍO:

Para la operación en la época de frío, cerca o bajo de la temperatura de congelación, la humedad en la línea de aire puede congelarse e impedir que la herramienta funcione. Recomendamos el uso del lubricante de herramientas de aire BOSTITCH winter formula o un anti-descongelante permanente (glicol de etileno) como un lubricante para la época de frío.

NOTA: No almacene las herramientas en ambientes fríos para impedir que se forme el hielo en las válvulas y los mecanismos de operación de la herramienta, lo cual podría hacer que la herramienta falle.

NOTA: Algunos líquidos comerciales secadores de líneas de aire pueden dañar los anillos en “O” y los sellos — no use estos secadores de aire de baja temperatura sin verificar su compatibilidad.

CÓMO CARGAR EL N89C

⚠️ ADVERTENCIA:

Cuando el equipo está conectado al suministro de aire, tanto el operador como todas las personas que se encuentren en el área de trabajo, SIEMPRE deben usar **PROTECCIÓN OCULAR** que cumpla las especificaciones ANSI para resguardo contra partículas volantes arrojadas desde el FRENTE o los LATERALES. Dicha protección ocular se requiere para proteger contra residuos y remaches volantes, que podrían causar graves lesiones en los ojos.



El empleador y/o usuario debe asegurar que la debida protección para los ojos sea usada. El equipo protector de los ojos debe cumplir con los requisitos del Instituto de Normas Nacionales Americano (American National Standards Institute), ANSI Z87.1 y debe proveer protección de frente y de los lados. **NOTA:** Las gafas de seguridad que no están protegidas de los lados y las máscaras por sí solas no proveen la debida protección.

⚠️ ADVERTENCIA:

ADVERTENCIA: PARA IMPEDIR LESIONES ACCIDENTALES:

- Nunca coloque una mano o cualquier otra parte del cuerpo en el área de descarga del sujetador de la herramienta mientras el suministro de aire está conectado;
- Nunca apunte la herramienta hacia otra persona;
- Nunca participe en juegos rudos con la herramienta;
- Nunca hale el gatillo a menos que la nariz esté apuntada hacia el trabajo;
- Siempre maneje la herramienta con cuidado.
- No hale el gatillo ni oprima el mecanismo de disparo al cargar la herramienta.

1. Abra el receptáculo:

Mueva hacia abajo el pestillo de la puerta y abra la puerta/cubierta del receptáculo. Fig. A

2. Revise el ajuste:

La clavadora debe estar fijada para la longitud de clavo a usar. Los clavos no se alimentan regularmente si el receptáculo no está ajustado correctamente.

El depósito contiene una plataforma de clavos ajustable sobre la cual descansa el rollo de clavos. La plataforma de clavos puede moverse hacia arriba y hacia abajo para tener cuatro selecciones de clavos.

Para cambiar la selección tire del poste hacia arriba y gírelo al paso correcto. Fig. B

SELECCIONES DE LA PLATAFORMA

1er paso: clavos de 50 – 65 mm (2 – 2-1/2 pulg.)

2do paso: clavos de 70 – 75 mm (2-3/4 – 3 pulg.)

3er paso: clavos de 80 – 90 mm (3-1/4 – 3-1/2 pulg.)

3. Cargue el rollo de clavos:

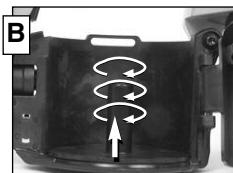
Coloque el rollo de clavos sobre el poste en el receptáculo. Desenrolle suficientes clavos para alcanzar el trinquete alimentador. Ponga el primer clavo frente al diente delantero del trinquete alimentador, en el canal del impulsor. Las cabezas de los clavos deben estar en la ranura de la punta. Fig. C

NOTA: Use solamente los clavos recomendados por BOSTITCH para las clavadoras de la serie N89C o los clavos que cumplen las especificaciones de BOSTITCH.

4. Cierre la cubierta

5. Cierre la puerta:

Verifique que el pestillo enganche. (Si no lo hace, verifique y asegúrese de que las cabezas de los clavos estén en la ranura en la nariz.)



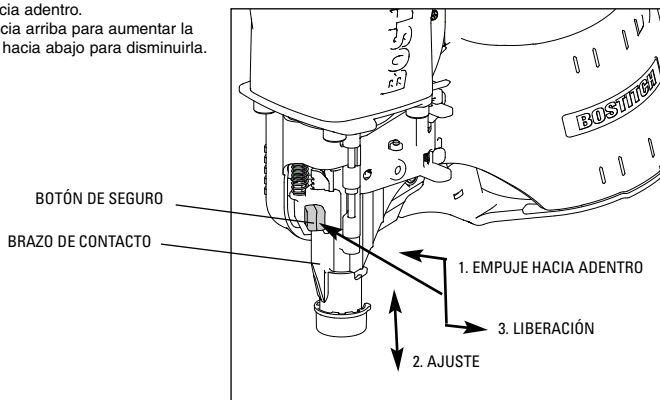
AJUSTE DEL CONTROL DE PROFUNDIDAD DEL CLAVO

La función de ajuste del control de profundidad del clavo permite regular el impulso del clavo desde un nivel al ras o justo sobre la superficie de trabajo hasta avellanado leve o profundo.

PARA AJUSTAR EL CONTROL DE PROFUNDIDAD DEL CLAVO:

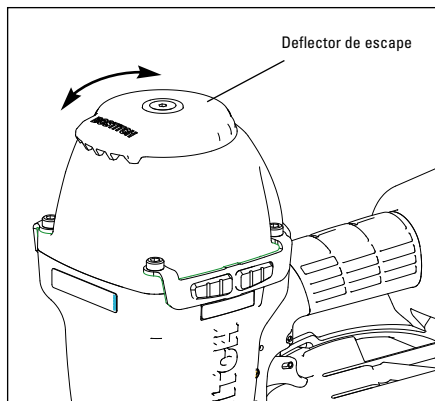
ADVERTENCIA: Desconecte la herramienta del suministro de aire antes de intentar desarmar piezas y antes de cambiar el ajuste del elemento de contacto con la superficie de trabajo.

1. Empuje el botón de seguro hacia adentro.
2. Ajuste el brazo de contacto hacia arriba para aumentar la profundidad de la aplicación o hacia abajo para disminuirla.
3. Libere el botón de seguro.



DEFLECTOR DE ESCAPE DIRECCIONAL

Puede girarse el deflector de escape a cualquier posición deseada manualmente sin usar herramientas.



FUNCIONAMIENTO DE LA HERRAMIENTA

ADVERTENCIA:



Al cargar, operar o dar servicio a esta herramienta, el operador y los demás presentes en el área de trabajo deben usar SIEMPRE **PROTECCIÓN DE LOS OJOS** en conformidad con las especificaciones ANSI y que proteja contra partículas que vuelen por DELANTE y por el LADO, cuando se haga la conexión al suministro de aire. Se exige protegerse la vista para resguardarse contra fijaciones o residuos que vuelen, lo cual puede causar lesiones graves a los ojos.

El empleador o el usuario deben asegurar que se protejan debidamente los ojos. El equipo de protección ocular debe estar en conformidad con los requisitos del Instituto Nacional Americano de Normas (American National Standards Institute), ANSI Z87.1 y proteger por delante y por el costado. Nota: Las gafas o caretas sin protección lateral por sí solas no dan una protección adecuada.

ANTES DE MANIPULAR U OPERAR ESTA HERRAMIENTA:

- I. LEA DETALLADAMENTE LAS ADVERTENCIAS CONTENIDAS EN ESTE MANUAL.
- II. CONSULTE LAS "ESPECIFICACIONES DE LA HERRAMIENTA" EN ESTE MANUAL PARA IDENTIFICAR EL SISTEMA OPERATIVO DE LA HERRAMIENTA.

Hay dos modos de operación disponibles en estas herramientas neumáticas BOSTITCH. Estos son:

1. OPERACIÓN DEL DISPARO SECUENCIAL
2. OPERACIÓN DEL DISPARO DE CONTACTO

FUNCIONAMIENTO

BOSTITCH le ofrece dos tipos de disparos para herramientas neumáticas: Disparo secuencial (gatillo gris) y disparo de contacto (gatillo negro). Cada gatillo tiene ventajas específicas. Debe evaluar su proyecto de construcción en particular para determinar qué gatillo es el mejor.

Su herramienta se envió de fábrica en la configuración de Disparo secuencial (gatillo gris). Puede convertirse fácilmente al modo de operación de gatillo de contacto (gatillo negro).

1. FUNCIONAMIENTO DEL DISPARO SECUENCIAL (GATILLO GRIS):

El disparo secuencial (gatillo gris) se llama así por la "secuencia" que se necesita impulsar una fijación. Para instalar una fijación, el operador debe presionar primero el disparo COMPLETAMENTE contra la superficie de trabajo y luego accionar el gatillo. Para instalar un segundo clavo, el operador debe levantar la herramienta de la superficie, soltar el gatillo y luego repetir la secuencia anterior.

1. **El disparo secuencial (gatillo gris):** ofrece una ventaja de seguridad positiva dado que no instala accidentalmente una fijación si se golpea la herramienta contra alguna superficie o persona mientras el operador la esté sosteniendo con el gatillo accionado.
2. **El disparo secuencial (gatillo gris):** permite el "clavado de colocación" sin la posibilidad de poner un segundo clavo no deseado por rebote como se describe en "Disparo de contacto".

2. FUNCIONAMIENTO (CONVENCIONAL) DEL DISPARO DE CONTACTO (GATILLO NEGRO):

Su nueva herramienta Bostitch se puede configurar fácilmente para usar en el modo Disparo de contacto. Para impulsar un clavo, deben presionarse tanto el "disparo" como el gatillo. En las herramientas de disparo de contacto, el gatillo debe presionarse y mantenerse presionado y cada "contacto" entre el disparo y la superficie de trabajo impulsará un clavo.

A. COLOCACIÓN DE UNA SOLA FIJACIÓN (Clavado de colocación) – Primero ubique el "disparo" COMPLETAMENTE sobre la superficie de trabajo, SIN ACCIONAR EL GATILLO. Oprima el "disparo" COMPLETAMENTE hasta que la punta de la herramienta toque la superficie de trabajo y luego accione el gatillo para aplicar la fijación. No presione la herramienta contra la superficie de trabajo con más fuerza. En cambio, deje que la herramienta se separe de la superficie de trabajo para evitar que salga otro clavo. Nota: quite el dedo del gatillo después de cada operación.

B. OPERACIÓN DE DISPARO RÁPIDO ("Clavado por impacto") – Primero, sostenga la herramienta con el "disparo" apuntando hacia la superficie de trabajo pero sin tocarla. Accione el gatillo y luego golpee o "impacte" el disparo de contacto contra la superficie de trabajo usando un movimiento de rebote. Cada vez que se presione el "disparo" saldrá un clavo.

FUNCIONAMIENTO DE LA HERRAMIENTA (CONTINUACIÓN)

- ⚠ ADVERTENCIA:** El disparo de contacto (negro) no evitará que se instale accidentalmente un clavo si se mantiene presionado el gatillo y se toca el disparador contra algún objeto o alguna persona. Nunca sostenga ni transporte la herramienta con el dedo en el gatillo. Solamente oprima y mantenga oprimido el gatillo cuando tenga la intención de impulsar varios clavos y la herramienta esté apuntando a la superficie de trabajo.
- ⚠ ADVERTENCIA:** Nunca use el gatillo de contacto (gatillo negro) con el aditamento para conector de metal. Solamente use el disparo secuencial (gatillo gris) con el aditamento para el conector de metal. Consulte la instrucción de conversión de gatillo que se incluye en el juego.
- ⚠ ADVERTENCIA:** Al usar el disparador de contacto convencional para el clavado de colocación, la herramienta puede rebotar debido al rebote, y si se permite que la herramienta vuelva a tomar contacto con la superficie de trabajo mientras sostiene accionado el gatillo, se instalará otro clavo no deseado. Debe permitir que la herramienta rebote una distancia suficiente para liberar el disparador y evitar un segundo ciclo. No empuje la herramienta hacia abajo con mucha fuerza; deje que la herramienta haga el trabajo.
- ⚠ ADVERTENCIA:** El operador no debe sostener el gatillo accionado en las herramientas con disparo de contacto salvo durante la aplicación de fijaciones ya que pueden ocurrir lesiones graves si el disparo tomara contacto accidentalmente con algo o alguien, ocasionando que la herramienta haga un ciclo.
- ⚠ ADVERTENCIA:** Mantenga las manos y el cuerpo alejados del área de descarga de la herramienta. Una herramienta con disparo de contacto puede rebotar al aplicar una fijación haciendo salir otra, causando posibles lesiones.
- ⚠ ADVERTENCIA:** Nunca use un gancho de vigas para colgarse la herramienta del cuerpo, la ropa o el cinturón.

REVISIÓN FUNCIONAL DE LA HERRAMIENTA

PRECAUCIÓN: Retire todas las fijaciones de la herramienta antes de revisar cómo funciona.

1. FUNCIONAMIENTO DEL DISPARO SECUENCIAL:

- A. Presione el disparo de contacto contra la superficie de trabajo, sin tocar el gatillo.
NO DEBE HACER UN CICLO LA HERRAMIENTA.
- B. Sostenga la herramienta sin tocar la superficie de trabajo y tire del gatillo.
NO DEBE HACER UN CICLO LA HERRAMIENTA.
Libere el gatillo. El gatillo debe regresar al tope del gatillo del armazón.
- C. Accione el gatillo y presione el disparo de contacto contra la superficie de trabajo.
NO DEBE HACER UN CICLO LA HERRAMIENTA.
- D. Con el dedo lejos del gatillo, presione el disparo de contacto contra la superficie de trabajo. Accione el gatillo.
DEBE HACER UN CICLO LA HERRAMIENTA.

2. FUNCIONAMIENTO DEL DISPARO DE CONTACTO:

- A. Con el dedo lejos del gatillo, presione el disparo de contacto contra la superficie de trabajo.
NO DEBE HACER UN CICLO LA HERRAMIENTA.
- B. Sostenga la herramienta sin tocar la superficie de trabajo y tire del gatillo.
NO DEBE HACER UN CICLO LA HERRAMIENTA.
- C. Con la herramienta sin tocar la superficie de trabajo, accione el gatillo. Presione el disparo de contacto contra la superficie de trabajo.
DEBE HACER UN CICLO LA HERRAMIENTA.
- D. Sin tocar el gatillo, presione el disparo de contacto contra la superficie de trabajo, luego accione el gatillo.
DEBE HACER UN CICLO LA HERRAMIENTA.

REVISIÓN FUNCIONAL DE LA HERRAMIENTA (CONTINUACIÓN)

ADEMÁS DE LAS OTRAS ADVERTENCIAS CONTENIDAS EN ESTE MANUAL OBSERVE LO SIGUIENTE PARA LA OPERACIÓN SEGURA

- Use la herramienta neumática BOSTITCH solamente para el fin que fue diseñada.
- Nunca use esta herramienta en forma que pueda causar la salida de una fijación hacia el usuario u otros presentes en el área de trabajo.
- No use la herramienta como martillo.
- Siempre lleve la herramienta tomándola por la empuñadura. Nunca lleve la herramienta tomándola por la manguera de aire.
- No altere ni modifique el diseño o función original de esta herramienta sin la aprobación de BOSTITCH, INC.
- Siempre tenga presente que el uso indebido o la manipulación incorrecta de esta herramienta puede causarle lesiones a usted y a los demás.
- Nunca use abrazaderas ni cinta para bloquear el gatillo o el disparo de contacto en la posición activada.
- Nunca deje una herramienta sin supervisión con la manguera de aire conectada.
- No opere esta herramienta si no cuenta con una ETIQUETA DE ADVERTENCIA legible.
- Deje de usar la herramienta si tiene fugas de aire o no funciona bien. Notifique al representante más cercano de BOSTITCH si la herramienta sigue presentando problemas funcionales.

MANTENIMIENTO DE LA HERRAMIENTA NEUMÁTICA

⚠ ADVERTENCIA: Al trabajar con herramientas neumáticas, observe las advertencias de este manual y tenga sumo cuidado al evaluar herramientas con problemas.

PIEZAS DE REPUESTO:

Se recomienda usar repuestos BOSTITCH. No use piezas modificadas ni componentes que no tengan un rendimiento equivalente al equipo original.

PROCEDIMIENTO DE ENSAMBLAJE PARA LOS SELLOS:

Al reparar una herramienta, fíjese en que las piezas internas estén limpias y lubricadas. Use Parker "O"-LUBE u otro lubricante equivalente en todas las juntas tóricas. Cubra cada junta tórica con "O"-LUBE antes del ensamblaje. Use un poco de aceite en todas las superficies y pivotes móviles. Después del reensamblaje añada unas pocas gotas de Lubricante para herramientas neumáticas BOSTITCH (Air Tool Lubricant) a través de la graseira de la línea de aire antes de probar.

PRESIÓN Y VOLUMEN DEL SUMINISTRO DE AIRE:

El volumen de aire es tan importante como la presión de aire. El volumen de aire suministrado a la herramienta puede ser inadecuado debido a accesorios y mangueras de tamaño inferior o por los efectos de suciedad y agua en el sistema. El flujo de aire restringido impedirá que la herramienta reciba un volumen de aire adecuado, aun cuando la lectura de presión sea alta. Los resultados serán: funcionamiento lento, fijaciones mal dirigidas o menor potencia de impulso. Antes de evaluar los problemas de las herramientas según estos síntomas, inspeccione el suministro de aire desde la herramienta a la fuente de suministro en busca de conectores restrictivos, accesorios giratorios, puntos bajos que tengan agua y cualquier otra cosa que impida el flujo del volumen completo de aire a la herramienta.

DIAGNÓSTICO DE FALLA

PROBLEMA	CAUSA	CORRECCIÓN
Fuga de aire en la envoltura de la válvula disparadora.	Anillo en O cortado o rajado	Reemplazar el anillo en O.
Vástago de la válvula disparadora tiene fuga de aire.	Anillos en O/sellos cortados o rajados	Reemplazar anillo en O/sellos.
Fuga de aire en el armazón/nariz.	Tornillos de nariz flojos	Apriete y verifique nuevamente.
	Anillo en O/empaquetadura cortada o rajada	Reemplazar el anillo en O o empaquetadura
	Amortiguador rajado/desgastado	Reemplazar el amortiguador.
Fuga de aire en el armazón/tapón.	Empaquetadura rajada	Reemplazar la empaquetadura.
	Amortiguador de la válvula de cabeza rajado/desgastado	Reemplazar el amortiguador.
	Tornillos de tapa flojos	Apriete y verifique nuevamente.
No desempeña su ciclo.	Restricción en el suministro de aire	Verifique el equipo de suministro de aire.
	Herramienta seca, falta de lubricación	Utilice el Lubricante para Herramientas Neumáticas de BOSTITCH.
	Anillos en O de la válvula de cabeza desgastados	Reemplazar los anillos en O.
	Resorte de la tapa del cilindro roto	Reemplazar el resorte de la tapa del cilindro
	Válvula de cabeza atorada en el tapón	Desensamblar/Verificar/Lubricar.
Falta de potencia		
Desempeña su ciclo lentamente	Herramienta seca, necesita lubricación	Utilice el Lubricante para Herramientas Neumáticas de BOSTITCH.
	Resorte de la tapa del cilindro roto	Reemplazar el resorte de la tapa.
	Anillos en O/sellos cortados o rajados	Reemplazar los anillos en O/sellos.
	Escape bloqueado	Verificar el amortiguador, resorte de la válvula de cabeza.
	Ensamblaje del gatillo desgastado/tiene fugas.	Reemplazar el ensamblaje del gatillo.
	Acumulación de polvo/alquitrán en impulsor	Desensamblar la nariz/impulsor para limpiar
	La manga del cilindro no está asentada debidamente en el amortiguador de abajo.	Desensamblar para corregir.
	Válvula de cabeza seca	Desensamblar/lubricar.
	Presión de aire demasiado baja	Verifique el equipo de suministro de aire
Sujetadores que saltan, alimentación intermitente	Amortiguador desgastado	Reemplazar el amortiguador.
	Alquitrán/polvo en el canal del impulsor	Desensamblar y limpiar la nariz y el impulsor
	Restricción de aire/flujo de aire inadecuado a través del casquillo y tapón de desconectado rápido	Reemplazar los accesorios de desconectado rápido.
	Anillo en O de pistón desgastado	Reemplazar el anillo en O, verificar el impulsor
	Herramienta seca, necesita lubricación	Utilice el Lubricante para Herramientas Neumáticas de BOSTITCH.
	Resorte de pistón de alimentación dañado	Reemplazar el resorte.
	Baja presión de aire	Verifique el sistema de suministro de aire a la herramienta.
	Tornillos sueltos de la punta del depósito	Apriete todos los tornillos.
	Los sujetadores son demasiado cortos para la herramienta.	Use sólo los sujetadores recomendados.
	Sujetadores doblados	No use estos sujetadores más.
	Sujetadores de tamaño equivocado	Use sólo los sujetadores recomendados.
	Empaquetadura de la tapa de cabeza con fugas	Apriete los tornillos/Reemplazar la empaquetadura.
	Anillo en O de la válvula del disparador cortado/desgastado	Reemplazar el anillo en O.
	Impulsor roto/quebrado	Reemplazar el impulsor. (Verificar el anillo en O del pistón).
	Cargador seco/sucio	Limpiar/Lubricar. Utilice Lubricante para Herramientas Neumáticas de BOSTITCH.
Los sujetadores se atorán en la herramienta	Canal del impulsador desgastado	Reemplazar la nariz/Verificar la puerta.
	Sujetadores de tamaño equivocado	Use sólo los sujetadores recomendados
	Sujetadores doblados	No use estos sujetadores más.
	Tornillos sueltos/la punta del depósito	Apriete todos los tornillos.
	Impulsor roto/quebrado	Reemplazar el impulsor.
CLAVADORAS DE BOBINA		
Sujetadores que saltan Alimentación intermitente	Pistón alimentador seco	Agregue el Lubricante para Herramientas Neumáticas de BOSTITCH en el orificio de la tapa del pistón alimentador
	Anillos en O del pistón alimentador quebrados/desgastados	Reemplazar los anillos en O/Verificar el amortiguador y el resorte. Lubricar el ensamblaje
	Inspeccione el trinquete para ver si se atasca	Revise el trinquete y el resorte de la puerta. Deben funcionar libremente.
	Parte inferior del cargador no está fijada correctamente	Ajuste la parte inferior del cargador para el largo de clavos que se está utilizando
	Alambres de soldadura rotos en rollo del clavo	Discontinúe su uso.
Los sujetadores se atorán en la herramienta/cargador.	Sujetadores de tamaño equivocado para la herramienta	Use sólo los sujetadores recomendados. Verifique el ajuste del fondo del cargador.
	Alambres soldados rotos en rollo del clavo	Discontinúe su uso.
	Ajuste equivocado de placa deslizante para rollo de clavos de alambre	Ajuste las clavijas del ajustador para el rollo de clavos de alambre.

INTRODUCTION

Le fusil à clous BOSTITCH N89C est un outil de précision conçu pour fonctionner à haute vitesse et fournir un haut rendement. Cet outil est efficace et fiable lorsqu'il est utilisé correctement et avec soin. Comme pour tout outil de précision, il est nécessaire de suivre les instructions du fabricant pour obtenir les meilleures performances. Veuillez étudier ce manuel avant la mise en fonction de l'outil et vous assurer d'avoir compris les avertissements et consignes de sécurité inclus. Lisez avec précaution les instructions d'installation, de fonctionnement et de maintenance; conservez le manuel pour référence ultérieure. **REMARQUE** : des mesures supplémentaires de sécurité peuvent être requises selon l'usage destiné. Pour toute question concernant l'outil ou son usage, veuillez contacter votre représentant ou votre concessionnaire BOSTITCH. BOSTITCH, East Greenwich, Rhode Island 02818.

SOMMAIRE

Consignes de sécurité	23
Caractéristiques techniques de l'outil	24
Mode d'emploi	24
Alimentation d'air et connexions	25
Lubrification	25
Chargement de l'outil	26
Commande de réglage de profondeur de fixation	27
Retrait des clous, échappement directionnel	27
Fonctionnement de l'outil	28
Utilisation	28, 29
Vérification de l'état de marche de l'outil	29, 30
Maintenance de l'outil pneumatique	30
Dépannage	31

REMARQUE

Les outils BOSTITCH sont fabriqués dans le but d'assurer une totale satisfaction et sont conçus pour atteindre un rendement maximal lorsqu'ils sont utilisés avec des éléments d'assemblage répondant aux mêmes standards de qualité. **BOSTITCH ne peut assumer la responsabilité du fonctionnement d'un produit, lorsqu'il est utilisé avec des accessoires et éléments d'assemblage qui ne satisfont pas aux**



GARANTIE LIMITÉE – É.-U. et Canada seulement

À partir du 1er décembre 2005, Bostitch, L.P. garantit à l'acheteur d'origine au détail que ce produit est exempt de tout défaut de matériaux et de fabrication et accepte, le cas échéant, de réparer ou de remplacer, à la discrétion de Bostitch, toute agrafeuse ou cloueuse de marque Bostitch défectueuse pour une période de sept (7) ans à partir de la date d'achat (1 (un) an à partir de la date d'achat pour les compresseurs et les outils utilisés dans des applications de production). Cette garantie n'est pas cessible. Une preuve de la date d'achat est requise. Cette garantie couvre uniquement les dommages résultant de défaut de matériaux et de fabrication, et ne couvre pas les conditions ou défauts de fonctionnement résultant d'une usure normale, d'une négligence, d'un usage abusif, d'un accident, d'une réparation ou d'une tentative de réparation par une entité autre que notre Centre de réparation national ou l'un de nos Centres de service de garantie autorisés. Les lames du mandrin, les amortisseurs, les joints toriques, les pistons et les garnitures de piston sont considérés comme des pièces normales d'usure. Pour une performance optimale de votre outil Bostitch, utilisez toujours des attaches et des pièces de rechange Bostitch d'origine.

CETTE GARANTIE REMPLACE TOUTE AUTRE GARANTIE, IMPLICITE OU EXPLICITE, COMPRENANT, MAIS SANS S'Y LIMITER, LES GARANTIES IMPLICITES DE COMMERCIALISATION OU D'ADAPTATION À UN USAGE PARTICULIER. BOSTITCH NE SERA PAS TENUE RESPONSABLE DES DOMMAGES INDIRECTS OU ACCESSOIRES.

Les limitations imposées par la durée d'une garantie implicite ou l'exclusion des dommages accessoires ou indirects n'étant pas reconnues dans certains États et pays, les limitations ou exclusions précitées peuvent ne pas vous être adressées. Cette garantie vous confère des droits juridiques spécifiques qui s'ajoutent aux autres droits éventuels qui peuvent varier d'une province, d'un État ou d'un pays à l'autre.

Pour obtenir aux États-Unis des services liés à la garantie, retournez le produit à vos frais accompagné de la preuve d'achat à votre Centre de service national américain ou à un Centre de service régional indépendant de garantie autorisé. Aux États-Unis, appelez-nous au 1-800-556-6696 ou visitez le www.BOSTITCH.com pour connaître l'emplacement du Centre le plus près de chez vous. Au Canada, appelez-nous au 1-800-567-7705 ou visitez le www.BOSTITCH.com

CONSIGNES DE SÉCURITÉ

ATTENTION:



UNE PROTECTION DES YEUX, conforme aux normes ANSI et fournissant une protection contre les projectiles en provenance de l'AVANT et des CÔTÉS, doit toujours être portée par l'opérateur et les personnes présentes dans la zone de travail, lors du raccordement au réseau d'air, du chargement, du fonctionnement et de la maintenance de l'outil. Une telle protection est indispensable pour vous protéger contre les projections d'attaches et de particules qui peuvent entraîner des blessures graves.

L'employeur et/ou l'utilisateur doivent s'assurer du port d'une protection oculaire adéquate. L'équipement de protection oculaire doit être conforme aux normes ANSI Z87.1 (de l'Institut National Américain des Normes), et offrir une protection à la fois frontale et latérale. **REMARQUE** : les lunettes de protection sans écrans latéraux et les masques de protection portés seuls, n'offrent pas une protection suffisante.



ATTENTION : Des mesures de sécurité supplémentaires seront nécessaires dans certains environnements. Par exemple, la zone de travail peut comporter une exposition à des niveaux de bruit pouvant conduire à un dommage auditif. L'employeur et l'utilisateur doivent alors s'assurer qu'une protection auditive adéquate est offerte et utilisée par l'opérateur et toute autre personne se trouvant dans la zone de travail. Certains environnements de travail nécessitent le port d'un casque de sécurité. Dans ce cas, l'employeur et l'utilisateur doivent s'assurer qu'un casque de sécurité conforme à la norme ANSI Z89.1 est toujours porté.

ALIMENTATION EN AIR COMPRIMÉ ET RACCORDEMENT

ATTENTION:

L'oxygène ou les gaz combustibles ne doivent en aucun cas être employés comme source d'énergie, sachant que l'outil peut exploser et provoquer des blessures.

ATTENTION:

N'utiliser en aucun cas des sources d'énergie à une pression dépassant 14 kg/cm² (13,8 bars), car l'outil peut éclater et causer des blessures.

ATTENTION:

L'appareil ne doit pas rester sous pression lorsqu'il est déconnecté de la source d'air. Si un mauvais raccord est utilisé, l'outil peut demeurer sous pression même après le désaccouplement, et de ce fait, peut éjecter un élément d'assemblage et causer des blessures.

ATTENTION:

Ne pas appuyer sur la détente ou abaisser le mécanisme de contact tant que l'outil est connecté à la source d'air, car celui-ci peut se déclencher et donc provoquer des blessures.

ATTENTION:

Toujours désaccoupler l'appareil de sa source d'énergie : 1) avant tout réglage; 2) lors de l'entretien; 3) lors d'un désenrayage; 4) à la fin de l'utilisation; 5) lors du déplacement vers une nouvelle zone de travail, car un déclenchement accidentel peut se produire et causer des blessures.

CHARGEMENT DE L'APPAREIL

ATTENTION:

Lors du chargement de l'appareil : 1) Ne jamais placer la main ou toute autre partie du corps dans la direction de projection de l'élément d'assemblage de l'outil; 2) Ne jamais pointer l'outil vers quelqu'un; 3) Ne pas presser sur la détente ou appuyer sur le palpeur de surface, car un déclenchement accidentel peut se produire et causer des blessures.

FONCTIONNEMENT

ATTENTION:

Manipuler l'appareil avec précaution : 1) Ne pas jouer ou chahuter avec l'appareil; 2) Ne jamais appuyer sur la détente tant que le nez de l'appareil n'est pas dirigé vers la pièce à assembler; 3) Tenir les autres personnes à distance raisonnable de l'outil lors de l'utilisation de celui-ci, car un déclenchement accidentel peut se produire et causer des blessures.

ATTENTION:

Ne pas maintenir la détente pressée sur un outil possédant un mécanisme de contact, sauf pendant le travail d'assemblage, car un accident grave pourrait se produire si le palpeur de surface entre en contact avec un objet ou une personne et entraînerait le déclenchement de l'outil.

ATTENTION:

Lorsque l'appareil est connecté à la source d'énergie, éloigner les mains et le corps de l'orifice d'éjection. Un outil à mécanisme de contact peut «rebondir» après l'éjection d'un élément d'assemblage, et un second élément d'assemblage peut accidentellement être éjecté.

ATTENTION:

Vérifier régulièrement le mécanisme de contact. Ne pas utiliser un appareil dont le mécanisme de contact est inopérant, un accident peut en résulter. Ne pas changer le mode opératoire du mécanisme de contact.

ATTENTION:

Ne pas enfoncer des attaches lorsque l'outil est trop penché ou par-dessus d'autres attaches car cela pourrait faire dévier ces dernières et entraîner des blessures.

ATTENTION:

Ne pas enfoncer des attaches près du bord de la pièce car le bois pourrait se fendre et faire dévier les attaches, entraînant ainsi des blessures.

ATTENTION:

Pendant son fonctionnement, cette clouuse génère des ÉTINCELLES. NE JAMAIS utiliser la clouuse près de substances, gaz ou vapeurs inflammables, y compris : laque, peinture, benzène, solvant, essence, adhésifs, mastics, colles ou tous autres produits qui sont, eux ou leurs vapeurs, brumes ou produits dérivés, inflammables, combustibles ou explosifs. L'utilisation de la clouuse dans un tel environnement pourrait mener à une EXPLOSION pouvant causer des blessures ou le décès de l'utilisateur ou de personnes à proximité.

ATTENTION:

Ne jamais utiliser le crochet pour chevrons pour accrocher l'outil au corps, aux vêtements ou à la ceinture.

CARACTÉRISTIQUES DU N89C

Toutes les mesures des vis et des boulons sont dans le système métrique.

MODÈLE	OUTIL DÉCLENCHEMENT	LONGUEUR	HAUTEUR	LARGEUR	POIDS
N89C-1	Butée de déclenchement (Avec option de déclencheur séquentiel)	311mm (12-1/4")	355mm (14")	133,4mm (5-1/4")	3,7 kg (8,2 lb.)
N89C-2	Déclencheur séquentiel	311mm (12-1/4")	355mm (14")	133,4mm (5-1/4")	3,7 kg (8,2 lb.)
N89C-HQ	Butée de déclenchement	311mm (12-1/4")	355mm (14")	133,4mm (5-1/4")	3,7 kg (8,2 lb.)

SPÉCIFICATIONS DES DISPOSITIFS DE FIXATION :

Les outils N89C utilisent des rubans de clous reliés de broche de 2 po à 3-1/2 po (50 à 90 mm) de longueur et dont le diamètre de tige est de 0,099 po à 0,131 po (2,5 à 3,3 mm)

Les outils N89C-HQ utilisent les mêmes clous que les N89C, mais sont optimisés pour accepter des rubans de clous de 2-1/2 po and 3 po (63,5 mm à 76,2 mm) de longueur clous Hurriquake® dont le diamètre de tige est de 0,113 po et 0,131 po (2,9 mm et 3,3 mm)

RACCORDEMENTS À L'AIR :

Cet outil utilise un raccord de 1/4 N.P.T. Son diamètre intérieur doit être de 5 mm (0,2 po) ou plus. Lors du désaccouplement de la source d'air, le raccord doit permettre rapidement la mise à l'atmosphère de toute pression résiduelle.

PRESSIION D'UTILISATION :

4,8 to 8,3 kg/cm² (70 to 120 bars). Select the operating pressure within this range for best fastener performance. **NE PAS DÉPASSER LA PRESSIION MAXIMALE RECOMMANDÉE.**

CONSOMMATION D'AIR :

Le N89C exige 233 l/min (8,23 pi³/min) pour fonctionner au taux de 100 clous par minute à une pression de 5,6 kg/cm² (80 lb/po²). Considérez le régime de fonctionnement de votre outil afin de déterminer le montant d'air requis. Ainsi, pour un débit de 50 clous par minute, vous aurez besoin de 50 % du cubage par minute 233 l/min ou (8,23 pi³/min) requis pour faire fonctionner l'outil avec un débit de 100 clous par minute.

OPÉRATION

BOSTITCH PERMET DEUX MODES DE FONCTIONNEMENT POUR CETTE SÉRIE D'OUTILS.

DÉCLENCHEMENT SÉQUENTIEL (gâchette grise) :

Le déclencheur séquentiel exige que l'opérateur maintienne l'outil contre l'ouvrage et appuie sur la gâchette. Cela permet une plus grande précision de fixation, par exemple sur les applications de clouage en biais, ou de clouage de charpente/caisse. Ce type de déclencheur permet de choisir un emplacement exact pour l'attache, et élimine le risque de l'éjection d'une deuxième attache au rebond, tel que décrit dans la section « Déclenchement au contact ». Le déclencheur séquentiel offre un réel avantage de sécurité. En effet, l'attache ne sera pas accidentellement enfoncée si l'outil entre en contact avec l'ouvrage – ou quoi que ce soit d'autre – lorsque l'opérateur n'a pas le doigt sur la gâchette.

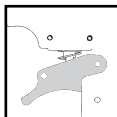
DÉCLENCHEMENT PAR CONTACT (gâchette noire) :

La procédure de fonctionnement habituelle pour les outils à déclenchement par contact consiste pour l'opérateur à toucher l'ouvrage afin d'actionner le mécanisme du déclencheur (la gâchette reste enfoncée) et d'enfoncer une attache à chaque nouveau contact de l'ouvrage. Cette méthode permet de fixer rapidement des attaches dans le cadre de nombreuses applications industrielles : revêtements, planchers, palettes, etc. Tous les outils pneumatiques accusent un recul lors de la fixation des attaches. L'outil peut ainsi rebondir, libérant le déclencheur. Si par accident l'outil entre en contact avec la surface de travail lorsque la gâchette est enfoncée, une seconde attache est éjectée.

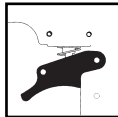
IDENTIFICATION DE MODÈLE :

Avant de continuer à utiliser cet outil, veuillez consulter les instructions de fonctionnement à la page 28.

DÉCLENCHEUR SÉQUENTIEL
Identifié par :
GÂCHETTE GRISE



DÉCLENCHEMENT PAR CONTACT
Identifié par :
GÂCHETTE NOIRE



ALIMENTATION EN AIR COMPRIMÉ ET RACCORDEMENT

⚠ ATTENTION: L'oxygène, les gaz combustibles ou les bouteilles de gaz ne doivent en aucun cas être employés comme source d'énergie, car ils peuvent exploser et provoquer des blessures.

RACCORDEMENTS :

Installer le raccord mâle sur l'appareil. Lors du désaccouplement de la source d'énergie, le raccord mâle doit permettre rapidement la mise à l'atmosphère de toute pression résiduelle.

TUYAUX :

Les tuyaux d'air comprimé doivent résister à une pression d'utilisation minimale constante de 10,5 Kg/cm² (10,3 bars), ou 150% de la pression pouvant être produite pour l'installation. Le tuyau d'alimentation doit contenir un raccord permettant « un désaccouplement rapide » du raccord mâle de l'appareil.

ALIMENTATION EN AIR COMPRIMÉ :

Les appareils doivent être alimentés avec de l'air propre et sec. L'OXYGÈNE, LES GAZ COMBUSTIBLES OU LES BOUTEILLES DE GAZ NE DOIVENT EN AUCUN CAS ÊTRE EMPLOYÉS COMME SOURCE D'ÉNERGIE CAR ILS PEUVENT EXPLOSER.

RÉGULATEUR :

Un régulateur de pression fonctionnant à des pressions de 8,7 Kg/cm² (0 à 8,6 bars) est nécessaire pour contrôler la pression d'utilisation du cloueur. Ne pas accoupler cet appareil à un régulateur de pression pouvant excéder 14 Kg/cm² (13.8 bars) car l'outil pourrait se fracturer ou se rompre, et causer des blessures.

PRESSION D'UTILISATION :

Ne pas excéder une pression d'utilisation. La source d'alimentation en air doit être capable de maintenir la pression de fonctionnement au niveau. Une baisse de pression dans la source d'alimentation entraînera une baisse de la force d'éjection de l'outil. Voir la rubrique « caractéristiques de l'appareil » pour le réglage de la pression de fonctionnement adéquate.

FILTRE :

La principale cause d'usure des appareils pneumatiques est un air sale et humide. Un filtre est donc indispensable pour obtenir le meilleur rendement et une usure minimale du pistolet. Le filtre devra avoir une capacité de filtrage adéquate au volume d'air consommé par l'appareil. Le filtre doit être propre pour alimenter le pistolet en air comprimé propre. Consulter les instructions du fabricant concernant l'entretien du filtre. Un filtre sale ou bouché peut provoquer des baisses de pression et par voie de conséquence, une diminution du rendement de l'appareil.

LUBRIFICATION

Pour obtenir les meilleures performances de votre cloueur, il est indispensable de le lubrifier régulièrement, mais sans excès. Appliquer quelques gouttes d'huile au niveau du raccordement en air comprimé afin d'assurer la lubrification des éléments internes. Utiliser le lubrifiant pour outils pneumatiques Mobil Velocite n° 10 de BOSTITCH ou un équivalent. Ne pas utiliser une huile détergente ou des additifs qui pourraient accélérer l'usure des joints toriques et des amortisseurs du cloueur et par conséquent entraîner une baisse du rendement et des réparations plus fréquentes.

Certains lubrificateurs peuvent également être placés directement sur le cloueur. Si un lubrificateur n'est pas installé, il est important d'injecter de l'huile dans le circuit d'air, une ou plusieurs fois par jour. Ne mettre que quelques gouttes à la fois. Une lubrification excessive entraînera une accumulation d'huile dans l'appareil et particulièrement au niveau de l'échappement.

UTILISATION PAR TEMPS FROID :

Par temps froid, lorsque la température est proche ou inférieure au point de congélation, l'eau qui s'est condensée dans les tuyaux d'alimentation d'air gèle, et le cloueur perd de son efficacité. Nous recommandons d'utiliser une huile ou un liquide de lubrification adapté.

REMARQUE : Nous conseillons de ne pas stocker le cloueur dans un environnement froid sous peine de sérieux problèmes de fonctionnement.

REMARQUE : Ne pas utiliser d'huiles ou produits spéciaux, prévus pour d'autres emplois que la lubrification des matériels pneumatiques, ils risqueraient de détruire les garnitures et les joints toriques.

CHARGEMENT DU N89C

ATTENTION:

UNE PROTECTION DES YEUX, conforme aux normes ANSI et fournissant une protection contre les projectiles en provenance de l'AVANT et des CÔTÉS, doit toujours être portée par l'opérateur et les personnes présentes dans la zone de travail, lors du raccordement au réseau d'air, du chargement, du fonctionnement et de la maintenance de l'outil. Une telle protection est indispensable pour vous protéger contre les projections d'attaches et de particules qui peuvent entraîner des blessures graves.



L'employeur et/ou l'utilisateur doivent s'assurer du port d'une protection oculaire adéquate. L'équipement de protection oculaire doit être conforme aux normes ANSI Z87.1 (de l'Institut National Américain des Normes), et offrir une protection à la fois frontale et latérale. **REMARQUE** : les lunettes de protection sans écrans latéraux et les masques de protection portés seuls, n'offrent pas une protection suffisante.

ATTENTION:

POUR PRÉVENIR UN ACCIDENT

- Ne jamais placer la main ou toute autre partie du corps dans la zone d'éjection des clous lorsque l'outil est relié à la source d'air.
- Ne jamais pointer le cloueur vers quelqu'un.
- Ne jamais jouer avec l'outil.
- Ne jamais appuyer sur la détente si le nez n'est pas dirigé vers le plan de travail.
- Toujours manier l'outil avec précautions.
- Ne pas appuyer sur la détente ou presser sur l'élément palpeur lors du chargement de l'outil.

1. Ouvrez la boîte :

Abaissez le loquet et basculez le couvercle de la porte/de la boîte vers l'extérieur. Fig. A

2. Vérifiez le réglage :

Le fusil à clous doit être réglé en fonction de la longueur de clou à utiliser. Les clous ne s'alimentent pas en douceur si la boîte est mal ajustée. La boîte comporte une plate-forme à clous réglable sur laquelle repose la cartouche de clous. La plate-forme peut être remontée ou abaissée pour quatre formats de clous. Pour modifier le réglage, remontez le montant et tournez jusqu'au cran approprié. Fig. B

RÉGLAGE DES PLATES-FORMES

1ère étape : clous de 50 – 65 mm (2 – 2-1/2 po)

2e étape : clous de 70 – 75 mm (2-3/4 – 3 po)

3e étape : clous de 80 – 90 mm (3-1/4 – 3-1/2 po)

3. Mettez en place la bande-cartouche de clous :

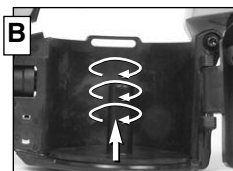
Placez la bande-cartouche de clous par-dessus le montant de la boîte. Déroulez une longueur suffisante de clous pour atteindre le cliquet d'alimentation. Placez le premier clou devant la dent avant du cliquet d'alimentation, dans le chargeur. Les têtes de clous doivent se trouver dans la fente du nez de pose. Fig. C

REMARQUE : N'utilisez que les clous recommandés par BOSTITCH pour les clouuses Bostitch N89C ou des clous répondant aux spécifications de BOSTITCH.

4. Basculez le couvercle pour fermer

5. Fermez la porte :

Vérifiez que le loquet s'engage correctement (s'il ne s'engage pas correctement, vérifiez si une tête de clou est engagée dans l'orifice du nez).



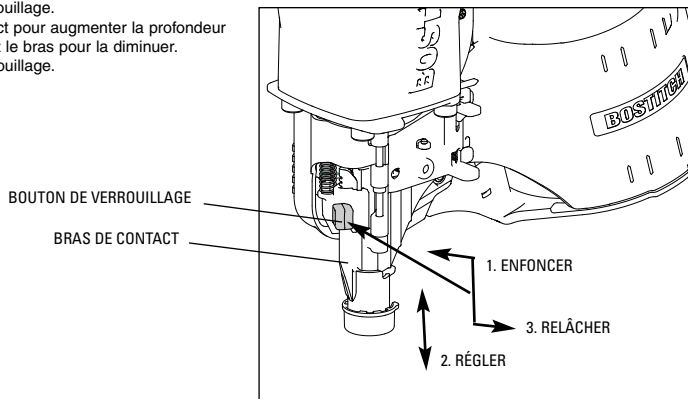
COMMANDE DE RÉGLAGE DE PROFONDEUR DE FIXATION

La commande de réglage de profondeur de fixation permet de contrôler précisément la profondeur de pénétration des dispositifs de fixation : encastrement faible, peu profond ou profond.

POUR RÉGLER LA PROFONDEUR DE FIXATION :

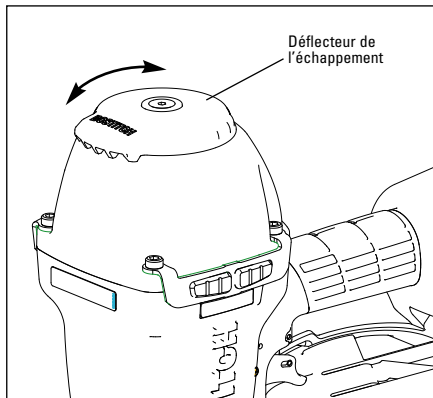
ATTENTION: Déconnectez l'outil de l'arrivée d'air avant d'essayer de démonter toute pièce et de modifier le réglage de l'élément de contact.

1. Enfoncez le bouton de verrouillage.
2. Remontez le bras de contact pour augmenter la profondeur de pénétration, ou abaissez le bras pour la diminuer.
3. Relâchez le bouton de verrouillage.



DÉFLECTEUR DE L'ÉCHAPPEMENT DIRECTIONNEL

Vous pouvez tourner le déflecteur d'échappement réglable dans n'importe quelle position recherchée, à la main, sans avoir à utiliser d'outils.



FUNCTIONNEMENT DE L'OUTIL

ATTENTION:



Une **PROTECTION DES YEUX**, conforme aux normes ANSI et fournissant une protection contre les projectiles en provenance de l'AVANT et des CÔTÉS, doit **TOUJOURS** être portée par l'opérateur et les personnes présentes dans la zone de travail, lors du raccordement à une source d'air, du chargement, du fonctionnement et de la maintenance de l'outil. Une telle protection est indispensable pour vous protéger contre les attaches et débris projetés, susceptibles d'entraîner des blessures sérieuses.

L'employeur et/ou l'utilisateur doivent s'assurer de porter une bonne protection oculaire. L'équipement de protection doit être conforme à la norme ANSI Z87.1 et doit fournir une protection frontale et latérale. **REMARQUE** : Les lunettes sans coques latérales et les masques faciaux ne fournissent pas la protection nécessaire.

PRÉALABLEMENT À LA MANIPULATION OU À L'UTILISATION DE CET OUTIL :

- I. **VEILLEZ À LIRE ET COMPRENDRE LES AVERTISSEMENTS CONTENUS DANS CE MANUEL.**
- II. **REPORTEZ-VOUS AUX « CARACTÉRISTIQUES TECHNIQUES DE L'OUTIL » DANS CE MANUEL POUR IDENTIFIER LE PRINCIPE DE FONCTIONNEMENT DE VOTRE OUTIL.**

Deux modes de fonctionnement sont offerts pour ces outils pneumatiques BOSTITCH, à savoir:

1. **DÉCLENCHEMENT SÉQUENTIEL**
2. **DÉCLENCHEMENT PAR CONTACT**

UTILISATION

BOSTITCH propose deux types de déclencheurs pour ses outils pneumatiques: Déclencheur séquentiel (gâchette grise) et déclencheur par contact (gâchette noire). Chaque déclencheur comporte des avantages spécifiques. Vous devriez évaluer votre projet spécifique afin de déterminer quelle gâchette est la plus appropriée.

Votre outil a quitté l'usine avec la configuration Déclenchement séquentiel (gâchette grise). Il peut facilement être converti au mode Déclenchement par contact (gâchette noire), à l'aide de cette trousse de conversion.

1. DÉCLENCHEMENT SÉQUENTIEL (GÂCHETTE GRISE) :

Le déclencheur séquentiel (gâchette grise) prend son nom de la « séquence » requise pour enfoncer une attache. Ainsi, l'opérateur doit d'abord appuyer **COMPLÈTEMENT** le déclencheur contre la surface de travail, puis appuyer sur la gâchette. Pour enfoncer une deuxième attache, il doit retirer l'outil de la surface de travail, lâcher la gâchette, puis répéter la séquence.

1. Le déclenchement séquentiel (gâchette grise): Ce mode offre un avantage de sécurité réel. En effet, une attache ne sera pas accidentellement enfoncée si l'outil entre en contact avec l'ouvrage – ou quoi que ce soit d'autre – pendant que la gâchette est enfoncée.

2. Le déclenchement séquentiel (gâchette grise): Ce mode permet de choisir un emplacement exact pour l'attache, et élimine le risque de l'éjection d'une deuxième attache au rebond, tel que décrit ci-dessous dans la section « Déclenchement au contact ».

2. UTILISATION DU DÉCLENCHEUR PAR CONTACT (GÂCHETTE NOIRE) (CONVENTIONNEL) :

Votre nouvel outil Bostitch peut facilement être configuré pour une utilisation en mode Déclenchement par contact. Pour enfoncer un clou, le déclencheur et la gâchette doivent tous deux être enfoncés. Sur les outils de contact, la gâchette peut être maintenue enfoncée, et chaque contact entre le déclencheur et la surface de travail causera l'enfoncement d'un clou.

A. PLACEMENT D'UNE ATTACHE UNIQUE (clouage en place) – Placez d'abord le déclencheur **COMPLÈTEMENT** sur la surface de travail, **SANS APPUYER SUR LA GÂCHETTE**. Enfoncez **COMPLÈTEMENT** le déclencheur jusqu'à ce que le nez de l'outil touche à la surface de travail, puis appuyez sur la gâchette pour enfoncer un clou. Veillez à ne pas exercer plus de force que nécessaire sur la surface de travail. Au contraire, laissez l'outil rebondir afin d'éviter de fixer un dispositif superflu. Remarque : Retirez votre doigt de la gâchette après chaque utilisation.

B. UTILISATION RAPIDE (clouage par contact) – D'abord, orientez l'outil avec le déclencheur pointant vers la surface de travail, sans toutefois établir le contact. Appuyez sur la gâchette, puis « tapez » le déclencheur contre la surface de travail, en tirant parti du rebond. Chaque pression du déclencheur contre la surface enfoncera un clou.

UTILISATION DE L'OUTIL (SUITE)

- ATTENTION:** Le déclencheur par contact (gâchette noire) n'empêchera pas un clou d'être enfoncé accidentellement si la gâchette est maintenue enfoncée et que le déclencheur entre en contact avec une personne ou un objet. Pour cette raison, ne tenez jamais ni ne transportez l'outil avec le doigt sur la gâchette. Ne gardez la gâchette enfoncée que si vous prévoyez enfoncer plusieurs clous et que l'outil est pointé vers la surface.
- ATTENTION:** N'utilisez jamais le déclencheur par contact (gâchette noire) avec l'embout pour connecteur métallique. N'utilisez que le déclencheur séquentiel (gâchette grise) avec cet embout. Consultez les instructions de conversion de la gâchette comprises avec l'ensemble.
- ATTENTION:** Durant l'utilisation du déclencheur par contact conventionnel pour le clouage en place, le recul peut faire rebondir l'outil, et si ce dernier touche de nouveau la surface de travail pendant que vous appuyez toujours sur la gâchette, un deuxième clou peut être accidentellement enfoncé. Vous devez permettre à l'outil de reculer suffisamment pour dégager la butée et ainsi d'éviter un deuxième cycle. Évitez d'appuyer trop fort sur l'outil; laissez-le simplement faire son travail.
- ATTENTION:** L'opérateur ne doit pas conserver la gâchette enclenchée sur les outils à butée de déclenchement, excepté au moment de fixer des dispositifs. Si la butée entre en contact avec quelqu'un ou quelque chose, l'outil peut effectuer un cycle et causer des blessures sérieuses.
- ATTENTION:** Gardez-vous ainsi que vos mains à l'écart de la trajectoire de sortie des dispositifs de fixation. Un outil à déclencheur par contact peut rebondir lors de l'enfoncement d'un clou; un second dispositif indésirable peut le cas échéant causer des blessures.
- ATTENTION:** Ne jamais utiliser le crochet pour chevrons pour accrocher l'outil au corps, aux vêtements ou à la ceinture.

VÉRIFICATION DE L'ÉTAT DE MARCHÉ DE L'OUTIL

MISE EN GARDE : Retirez tous les dispositifs de fixation (attaches) de l'outil avant d'effectuer la vérification de l'état de marche.

1. UTILISATION DU DÉCLENCHÉUR SÉQUENTIEL :

- A. Le doigt hors de la gâchette, appuyez la butée de déclenchement sur la surface de travail.
L'OUTIL NE DOIT PAS EFFECTUER UN CYCLE.
- B. Maintenez l'outil hors de la surface de travail et appuyez sur la gâchette.
L'OUTIL NE DOIT PAS EFFECTUER UN CYCLE.
Relâchez la gâchette. La gâchette doit revenir sur sa position de sécurité sur le bâti.
- C. Le doigt sur la gâchette, appuyez la butée de déclenchement sur la surface de travail.
L'OUTIL NE DOIT PAS EFFECTUER UN CYCLE.

2. FONCTIONNEMENT DE LA BUTÉE DE DÉCLENCHÉMENT :

- A. Le doigt hors de la gâchette, appuyez la butée de déclenchement sur la surface de travail.
L'OUTIL NE DOIT PAS EFFECTUER UN CYCLE.
- B. Maintenez l'outil hors de la surface de travail et appuyez sur la gâchette.
L'OUTIL NE DOIT PAS EFFECTUER UN CYCLE.
- C. Maintenez l'outil hors de la surface de travail et appuyez sur la gâchette. Appuyez la butée de déclenchement sur la surface de travail.
L'OUTIL DOIT EFFECTUER UN CYCLE.
- D. Le doigt hors de la gâchette, appuyez la butée de déclenchement sur la surface de travail, puis appuyez sur la gâchette.
L'OUTIL DOIT EFFECTUER UN CYCLE.

VÉRIFICATION DE L'ÉTAT DE MARCHÉ DE L'OUTIL (SUITE)

EN PLUS DES AUTRES AVERTISSEMENTS CONTENUS DANS CE MANUEL, VEILLEZ À OBSERVER LES PRÉCAUTIONS SUIVANTES :

- N'utilisez jamais l'outil pneumatique BOSTITCH dans un but autre que celui pour lequel il a été conçu.
- N'orientez jamais l'outil de façon à ce qu'il puisse éjecter une attache en direction de l'utilisateur ou d'autres personnes dans la zone de travail.
- N'utilisez jamais l'outil comme un marteau.
- Veillez à toujours transporter l'outil à l'aide de la poignée. Ne transportez jamais l'outil par le conduit d'air.
- Ne modifiez pas la conception ou la fonction originale de l'outil sans avoir obtenu l'accord de BOSTITCH, INC.
- Gardez toujours présent à l'esprit qu'une utilisation ou une manipulation incorrecte de cet outil est susceptible d'occasionner des blessures à vous-même et à d'autres personnes.
- Ne bloquez jamais la gâchette ou la butée de déclenchement en position enclenchée.
- Ne laissez pas fonctionner un outil sans surveillance avec le conduit d'air attaché.
- Ne faites pas fonctionner l'outil s'il ne comporte pas une ÉTIQUETTE D'AVERTISSEMENT lisible.
- Cessez d'utiliser l'outil en cas de fuite d'air ou s'il ne fonctionne pas correctement. Si le problème persiste, communiquez avec le représentant BOSTITCH le plus proche.

MAINTENANCE DE L'OUTIL PNEUMATIQUE

ATTENTION: Lorsque vous travaillez avec des outils pneumatiques, veuillez observer les avertissements contenus dans le manuel et prêter une attention redoublée en cas de problème.

PIÈCES DE RECHANGE :

Nous recommandons les pièces de rechange BOSTITCH. N'utilisez pas de pièces modifiées ou ne fournissant pas une performance équivalente à celle de l'équipement d'origine.

PROCÉDURE DE MONTAGE DES JOINTS :

Lors de la réparation d'un outil, assurez-vous que les pièces internes sont propres et lubrifiées. Utilisez le produit « O »-LUBE de Parker ou un équivalent sur tous les joints toriques. Avant l'assemblage, recouvrez chaque joint torique de lubrifiant. Utilisez un peu d'huile sur les surfaces mobiles et les axes. Après le réassemblage et avant de procéder au test, ajoutez quelques gouttes de lubrifiant pour outil pneumatique BOSTITCH dans la garniture de conduite d'air.

PRESSION ET VOLUME DE L'ALIMENTATION D'AIR :

Le volume d'air est aussi important que la pression. Le volume d'air fourni à l'outil peut être inadéquat en raison de garnitures et conduits trop justes, ou en raison de la présence de poussière ou d'eau dans le système. Un débit d'air restreint empêchera que l'outil reçoive suffisamment d'air, même si la pression est haute. Il en résulte un fonctionnement ralenti, un défaut d'alimentation ou une force motrice réduite. Avant de rechercher l'existence éventuelle de ces problèmes, retracez le parcours de l'alimentation d'air de l'outil à la source. Notez l'existence possible de tout élément susceptible de diminuer la circulation de l'air vers l'outil, comme un conduit ou une garniture à rotule obstrués, ou un point inférieur contenant de l'eau.

PROBLÈMES DE FONCTIONNEMENT

PROBLÈME	CAUSE	CORRECTION
Fuite d'air au corps de valve de détente.	Joint toriques coupés ou usés.	Remplacer les joints toriques.
Fuite d'air à la tige de valve de détente.	Joint toriques ou garnitures coupés ou usés.	Remplacer joints toriques /garnitures.
Fuite d'air entre le corps et le nez.	Vis du nez desserrées.	Resserrer les vis
	Joint toriques ou garniture coupés ou usés.	Remplacer les joints toriques.
	Amortisseur coupé ou usé.	Remplacer l'amortisseur.
Fuite d'air entre le chapeau et le corps.	Garniture coupée.	Remplacer la garniture.
	Amortisseur de tête coupé ou usé.	Remplacer l'amortisseur.
	Vis de chapeau desserrées.	Resserrer les vis.
Cycle incomplet	Pertes de charges dans le circuit d'air.	Vérifier le circuit d'air
	Appareil sec, absence de lubrification.	Utiliser un lubrifiant BOSTITCH
	Joint toriques de la valve de tête coupés ou usés.	Remplacer les joints toriques.
	Ressort du chapeau de cylindre cassé.	Remplacer le ressort.
	Valve de tête forcée dans le chapeau.	Démonter (vérifier) lubrifier.
Perte de puissance	Appareil sec, absence de lubrification.	Utiliser un lubrifiant BOSTITCH
Fonctionnement ralenti	Ressort du chapeau de cylindre cassé.	Remplacer le ressort.
	Joint toriques ou garnitures coupés ou usés.	Remplacer les joints toriques/garnitures.
	Échappement bloqué	Vérifier l'amortisseur et le ressort de valve de tête.
	Système détente usé ou ayant une fuite.	Remplacer le système de détente.
	Particules obstruant le canal de l'enfonceur.	Démonter le nez/enfonceur et nettoyer.
	L'extrémité du cylindre n'est pas positionnée correctement sur l'amortisseur inférieur.	Démonter et réinstaller.
	Valve de tête sèche.	Démonter et lubrifier
	Pression d'air trop faible.	Vérifier le circuit d'air.
Éléments d'assemblage manquants	Amortisseur usé.	Remplacer l'amortisseur.
Alimentation Intermittente	Particules obstruant le canal de l'enfonceur.	Démonter le nez/enfonceur et nettoyer.
	Pertes de charges dans les raccords rapides du circuit d'air.	Remplacer les raccords rapides du circuit.
	Joint du piston usé.	Remplacer le joint, vérifier l'enfonceur.
	Appareil sec, absence de lubrification.	Utiliser un lubrifiant BOSTITCH
	Ressort du piston d'alimentation endommagé	Remplacer le ressort.
	Pression d'air trop faible.	Vérifier le circuit/régler la pression d'air.
	Vis du nez de la cartouche desserrées	Resserrer les vis.
	Éléments d'assemblage trop courts	Utiliser les éléments d'assemblage recommandés.
	Éléments d'assemblage tordus	Cesser l'utilisation de ces éléments
	Taille incorrecte des éléments d'assemblage	Utiliser les éléments d'assemblage recommandés.
	Fuite à la garniture du chapeau de tête.	Resserrer les vis/remplacer la garniture.
	Joint toriques de la valve de détente coupés ou usés.	Remplacer les joints toriques.
	Enfonceur usé ou cassé.	Remplacer l'enfonceur/vérifier le joint de piston.
	Magasin sec ou encrassé.	Nettoyer et lubrifier le magasin avec un lubrifiant BOSTITCH
Les éléments d'assemblage se coincent dans l'appareil	Canal de l'enfonceur usé.	Remplacer le nez/vérifier la porte.
	Taille incorrecte des éléments d'assemblage.	Utiliser les éléments d'assemblage recommandés.
	Éléments d'assemblage tordus	Cesser d'utiliser ces éléments
	Vis du nez de la cartouche / desserrées	Resserrer les vis.
	Enfonceur usé ou cassé.	Remplacer l'enfonceur.

APPAREIL À ROULEAU

Éléments d'assemblage manquants	Piston d'alimentation sec.	Utiliser un lubrifiant BOSTITCH et lubrifier par les trous du collier.
Alimentation Intermittente	Joint toriques du piston d'alimentation coupés ou usés.	Remplacer les joints toriques /amortisseur et ressort. Lubrifier.
	Vérifier si le cliquet n'est pas tordu.	Vérifier le cliquet et le ressort de la porte.
	Le socle du magasin n'est pas réglé correctement	Régler le socle du boîtier pour la longueur de clou utilisée.
	Fils de liaison du rouleau cassés.	Cesser l'utilisation
Les éléments d'assemblage se coincent dans l'appareil ou le magasin	Taille incorrecte des éléments d'assemblage	Utiliser les éléments d'assemblage recommandés/ vérifier et ajuster le socle du boîtier
	Fils de liaison du rouleau cassés.	Cesser l'utilisation
	Plaque d'ajustement inadéquate pour le système d'enroulement du rouleau en acier	Régler les commutateurs à chevilles du système d'enroulement du rouleau en acier

