

MASATA

Installation Guide

MST7002

BMW F40 M135iX B48

This product has been designed and manufactured to work correctly with installation as described in these instructions.

Failure to follow these instructions could result in damage to property, damage to the product and or potential injury.

It is very important that you read and understand these instructions thoroughly before installing this product.



BMW/Mini B38/48 3 Channel unit

Included Contents

- Tuning Module
- Wiring Loom
- Fastening Ties
- Installation and User instructions
- Protective Bag For Module - (prevents damage to unit casing)

Before Installation

1. Open the vehicle's bonnet
2. Remove the ignition key
3. Close and lock the doors
4. Wait 5 minutes before removing any electrical plugs

Installation Location

The module should be installed between the vehicle's Rail and Boost Pressure sensors as shown in the diagram.

Locating the Unit

The unit itself should be mounted away from



Sources of Extreme Heat



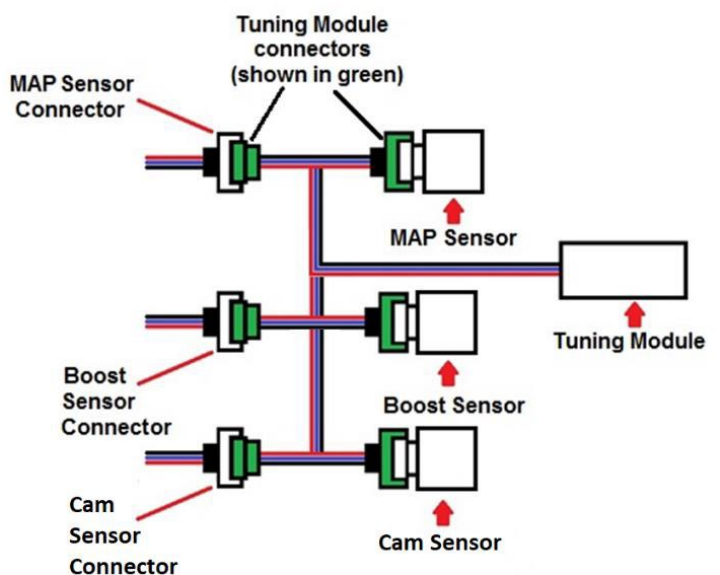
Sources of Vibration



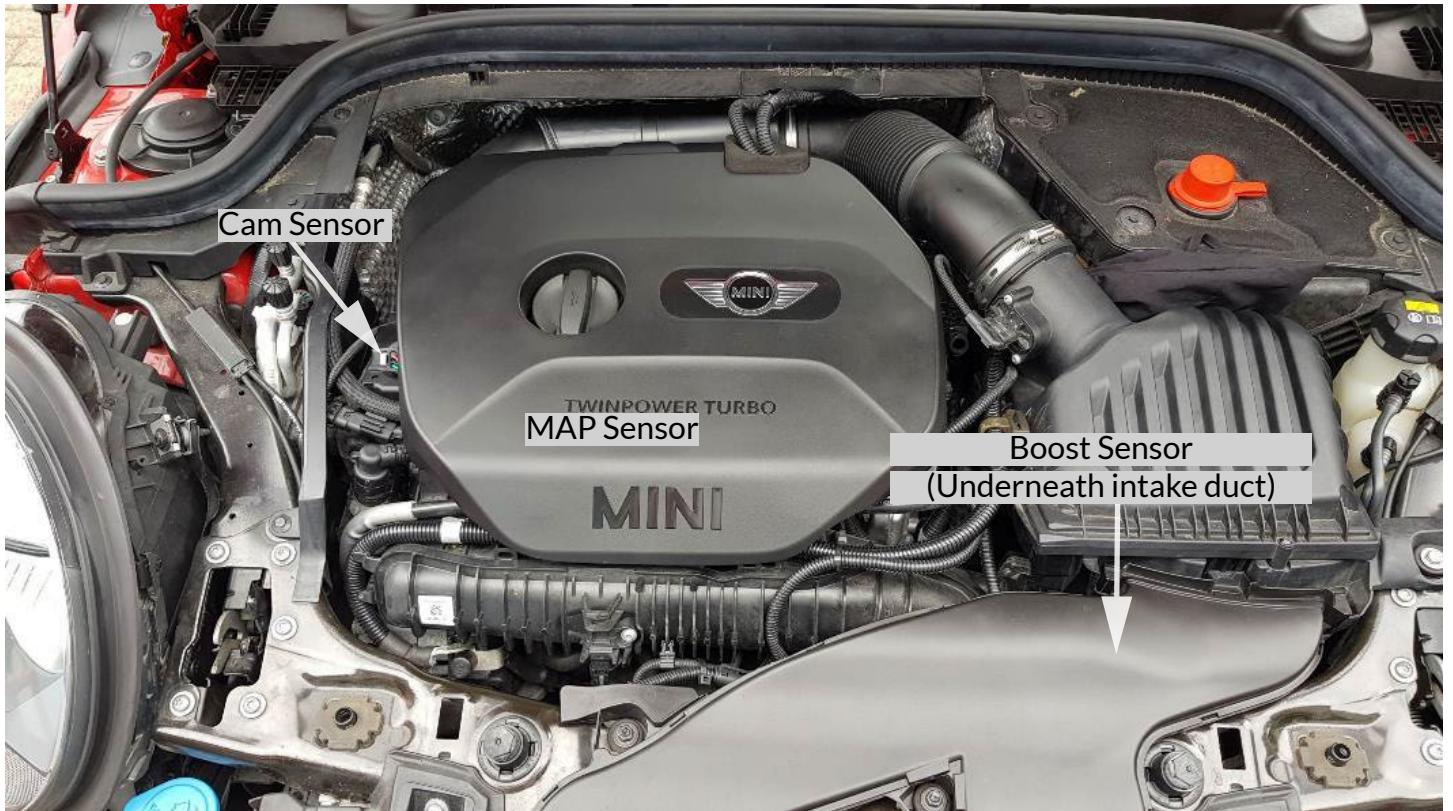
Sources of Spray Water



Do not open the vehicle doors or unlock the vehicle while installation is in progress

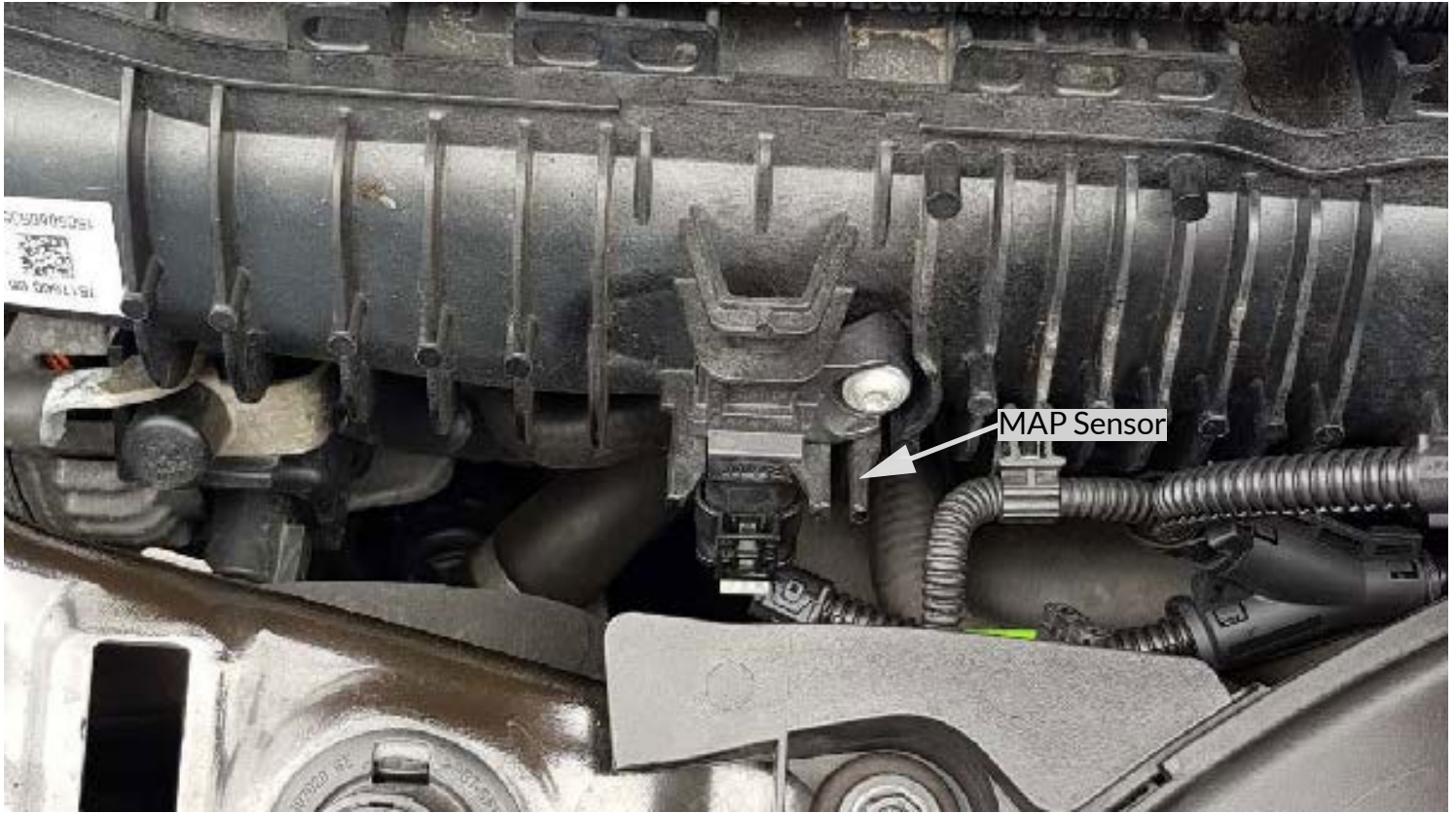


H3a-H4-H3a-E-796



- You do not need to remove the plastic engine cover to install the unit to this engine.
- Familiarise yourself with the locations of the connectors highlighted.
- Make sure that you have a good grasp of the operation of the connector clips and or locking tabs. - If the connectors you are trying to access are in an awkward place, it may be useful to try unplugging (and then re-inserting) a connector on the vehicle which is more easily accessible. Alternatively try plugging together the connectors on the Tuning Module itself.

STEP 1



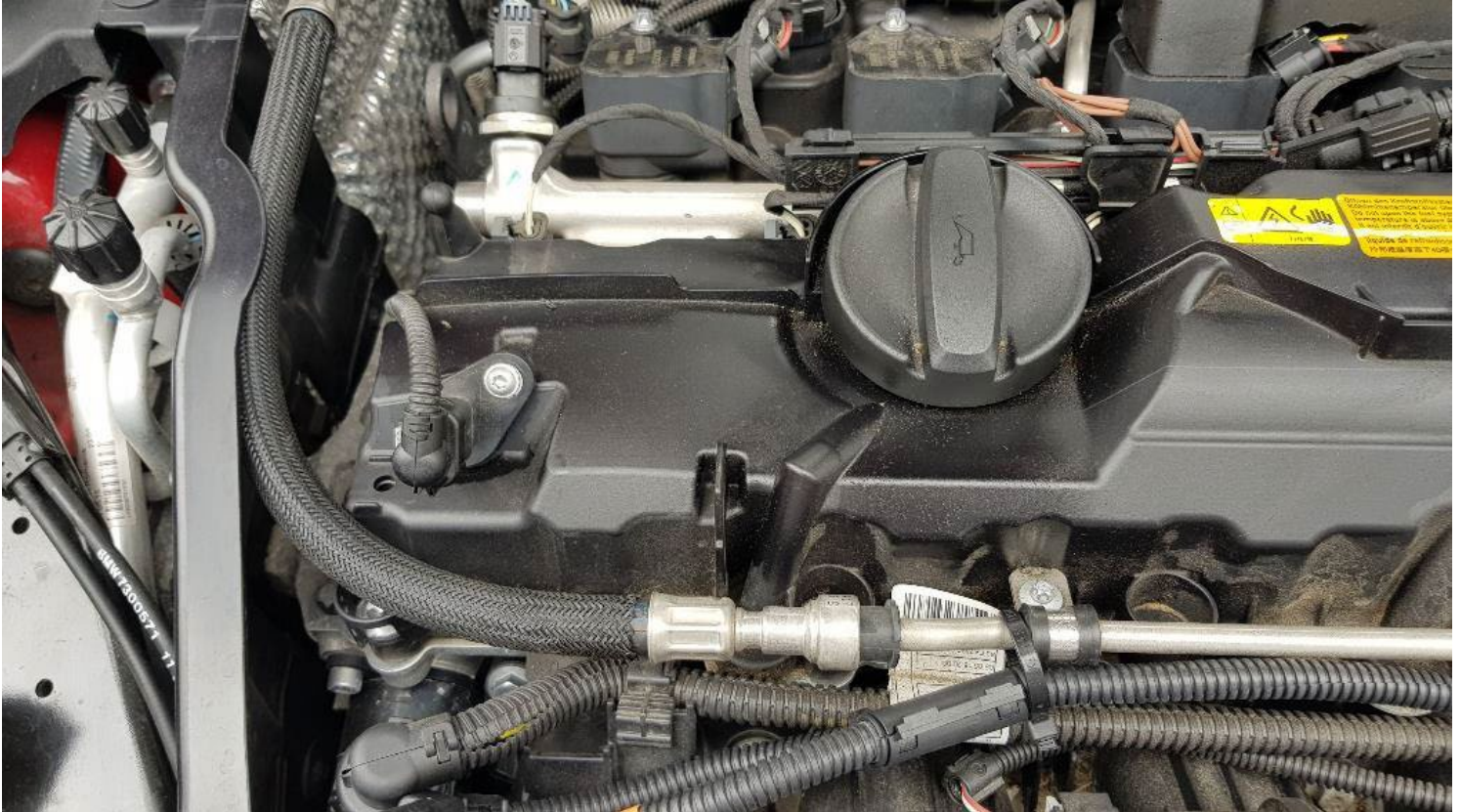
- Unplug the MAP Sensor connector (3 pin) by pressing down the releasing clip and pulling back on the connector.
- Insert the connector from the Tuning Module's wiring loom into the MAP Sensor.
- Insert the Vehicle's MAP Sensor connector into the corresponding connector on the Tuning Module's wiring loom.
- Secure the MAP wiring loom.



- Remove the two bolts holding in the intake duct in order to gain access to the boost sensor (highlighted in red)



- Unplug the boost sensor connector (4 pin) by pressing down the releasing clip and pulling back on the connector.
- Insert the connector from the Tuning Module's wiring loom into the boost sensor.
- Insert the Vehicle's boost sensor connector into the corresponding connector on the Tuning Module's wiring loom.
- Secure the boost wiring loom.



- To access your CAM sensor, you will need to remove your engine cover, do this by giving it a gentle tug.
- Unplug the Cam Sensor connector (3 pin) by pressing down the releasing clip and pulling back on the connector.
- Insert the connector from the Tuning Module's wiring loom into the Cam Sensor.
- Insert the Vehicle's Cam Sensor connector into the corresponding connector on the Tuning Module's wiring loom.
- Secure the Cam wiring loom in place.

BMW/Mini B38/48 3 Channel unit

- Carefully re-install all engine covers that have been removed during the installation process.
- With the unit successfully installed please secure the unit and wiring loom within the engine bay, paying attention to the guidelines highlighted on Page 1.



Route the tuning box wiring harness away from sources of heat (exhaust manifolds, EGR pipes, most stainless steel pipes) and also away from any rotating parts such as belts.

- Double check all connections are correct and firmly connected. If this is the case, start the vehicle and ensure there are no engine warning lights or error messages displayed.

If everything is as it should be, please feel free to take the vehicle out for a test drive and enjoy the added responsiveness and power added to your vehicle by the Tuning Module.