



**NORTH STAR**<sup>TM</sup>  
WATER TREATMENT SYSTEMS



## RESIDENTIAL PRODUCT CATALOG



---

# TABLE OF CONTENTS

## RESIDENTIAL SOFTENING

Cabinet Style Systems .....	3
Two-Tank Systems .....	7

## DRINKING WATER FILTRATION

Drinking Water Systems .....	11
------------------------------	----

## WHOLE HOME FILTRATION

Whole Home Housings .....	16
Whole Home Filters .....	19

SPECIALTY FILTRATION .....	21
----------------------------	----

RESIDENTIAL ACCESSORIES .....	36
-------------------------------	----





# RESIDENTIAL SOFTENING

## 22,000 GRAIN WATER SOFTENER

MODEL: NSC22 | PN: NSC2218

### FEATURES

- Utilizes AutoSense™ Technology to monitor your water usage and determine the optimal frequency of regeneration, minimizing salt and water use
- High-flow valve for optimal water pressure
- Low salt monitor flashes when the softener is low on salt, allowing you a few days to refill the tank
- Built-in tank light for low light conditions
- Ideal for small to medium households
- Can be used with city or well water sources
- Installation kit includes custom fit bypass valve



### SPECIFICATIONS

Model Number	NSC22
Part Number	NSC2218
Household Size	1-4+ people
Max. Capacity (grains)	22,100
Resin (cu. ft)	0.65
Standard Connection Size	1" NPT
Valve	3/4" valve; up to 1" plumbing
Connection Size	1" male pipe thread
Rated Service Flow Rate (gpm)	7.2
Intermittent Flow Rate (gpm @ 30 psi drop)	11.3
Clear Water Iron Removal (ppm)	6
Electronic Demand	Yes
Max. Efficiency (per minimum salt dose)	4,475 @ 1.9 lbs.
Dimensions	H 47 3/4" X W 16 1/2" X D 19 3/4"
NSF Certification (NSF/ANSI standard)	44 & 372

### WARRANTY

**1 year** parts | **3 year** electronic control board | **10 year** salt storage and mineral tank

## 31,000 GRAIN WATER SOFTENER

MODEL: NSC31 | PN: NSC3118

### FEATURES

- Utilizes AutoSense™ Technology to monitor your water usage and determine the optimal frequency of regeneration, minimizing salt and water use
- High-flow valve for optimal water pressure
- Low salt monitor flashes when the softener is low on salt, allowing you a few days to refill the tank
- Built-in tank light for low light conditions
- Ideal for medium to large households
- Can be used with city or well water sources
- Installation kit includes custom fit bypass valve



### SPECIFICATIONS

Model Number	NSC31
Part Number	NSC3118
Household Size	1-5+ people
Max. Capacity (grains)	31,300
Resin (cu. ft)	0.81
Standard Connection Size	1" NPT
Valve	3/4" valve; up to 1" plumbing
Connection Size	1" male pipe thread
Rated Service Flow Rate (gpm)	7.2
Intermittent Flow Rate (gpm @ 30 psi drop)	14.6
Clear Water Iron Removal (ppm)	8
Electronic Demand	Yes
Max. Efficiency (per minimum salt dose)	5,090 @ 2.4 lbs
Dimensions	H 47 3/4" X W 16 1/2" X D 19 3/4"
NSF Certification (NSF/ANSI standard)	44 & 372

### WARRANTY

**1 year** parts | **3 year** electronic control board | **10 year** salt storage and mineral tank

## 42,000 GRAIN WATER SOFTENER

MODEL: NSC42 | PN: NSC4218

### FEATURES

- Utilizes AutoSense™ Technology to monitor your water usage and determine the optimal frequency of regeneration, minimizing salt and water use
- Ultra high-flow valve for up to 1" plumbing delivers maximum water pressure
- Premium electronic board displays average daily gallons, flow rate, salt level and more
- Self-cleaning sediment filter with no filters to replace
- Low salt monitor flashes when the softener is low on salt, allowing you a few days to refill the tank
- Built-in tank light for low light conditions
- Ideal for all household sizes
- Can be used with city or well water sources
- Installation kit includes custom fit bypass valve



### SPECIFICATIONS

Model Number	NSC42
Part Number	NSC4218
Household Size	1-6+ people
Max. Capacity (grains)	42,400
Resin (cu. ft)	1.2
Standard Connection Size	1" NPT
Valve	1" valve; up to 1 1/4" plumbing
Connection Size	1" male pipe thread
Rated Service Flow Rate (gpm)	9.9
Intermittent Flow Rate (gpm @ 30 psi drop)	17.8
Clear Water Iron Removal (ppm)	11
Electronic Demand	Yes
Max. Efficiency (per minimum salt dose)	4,940 @ 2.5 lbs
Dimensions	H 48" X W 17" X D 21"
NSF Certification (NSF/ANSI standard)	44 & 372

### WARRANTY

**1 year** parts | **3 year** electronic control board | **10 year** salt storage and mineral tank

## 2-IN-1 SOFTENER + WHOLE HOME FILTRATION WITH WIFI

MODEL: NSCWHC | PN: NSCWHC1

### FEATURES

- High capacity 2-in-1 system softens & filters water throughout the entire home
- Utilizes WiFi technology and the iQua™ Water Management App to send critical water alerts directly to your phone
- The optional North Star Motorized Water Shut-Off Valve allows homeowners to turn off their water via the iQua™ App if a leak occurs
- Reduces chlorine taste and odor using carbon filtration.
- Self-cleaning filter, with no filters to replace
- AutoSense™ Technology provides significant salt and water savings
- Ultra high-flow valve for optimal water pressure
- Ideal for any sized household
- Built-in tank light for low light conditions
- Can be used with city or well water sources



### SPECIFICATIONS

Model Number	NSCWHC
Part Number	NSCWHC1
Household Size	1-6+ people
Max. Capacity (grains)	31,100
Resin (cu. ft)	0.98
Activated Carbon	Yes
Standard Connection Size	1" NPT
Valve	1" valve; up to 1 1/4" plumbing
Connection Size	1" male pipe thread
Rated Service Flow Rate (gpm)	8
Intermittent Flow Rate (gpm @ 30 psi drop)	17.8
Clear Water Iron Removal (ppm)	3
Electronic Demand	Yes
Max. Efficiency (per minimum salt dose)	4,780 @ 2.9 lbs
Dimensions	H 48" X W 17" X D 21"
NSF Certification (NSF/ANSI standard)	42, 44, 226/228 & 372

### WARRANTY

**1 year** parts | **3 year** electronic control board | **10 year** salt storage and mineral tank

## 30,000 GRAIN WATER SOFTENER

MODEL: NST30ED | PN: 7366431

### FEATURES

- Utilizes AutoSense™ Technology to monitor your water usage and determine the optimal frequency of regeneration, minimizing salt and water use
- High-flow valve for optimal water pressure
- Utilizes reverse flow regeneration, proven to be the most effective way to clean the resin bed
- Ideal for small to medium households
- Can be used with city or well water sources
- Installation kit includes custom fit bypass valve



### SPECIFICATIONS

Model Number	NST30ED
Part Number	7366431
Household Size	1-5+ people
Max. Capacity (grains)	30,200
Resin (cu. ft)	0.78
Standard Connection Size	1" NPT
Valve	3/4" valve; up to 1" plumbing
Connection Size	1" male pipe thread
Rated Service Flow Rate (gpm)	7.3
Intermittent Flow Rate (gpm @ 30 psi drop)	11
Clear Water Iron Removal (ppm)	8
Electronic Demand	Yes
Max. Efficiency (per minimum salt dose)	5,090 @ 2.3 lbs
Dimensions	Resin Tank and Electronics H 48 3/4" X W 11 1/2" Brine Tank H 39" X W 18"
NSF Certification (NSF/ANSI standard)	44 & 372

### WARRANTY

**1 year** parts | **3 year** electronic control board | **10 year** salt storage and mineral tank



## 45,000 GRAIN WATER SOFTENER

MODEL: NST45ED1 | PN: 7366449

### FEATURES

- Utilizes AutoSense™ Technology to monitor your water usage and determine the optimal frequency of regeneration, minimizing salt and water use
- Ultra high-flow for up to 1" plumbing delivers maximum water pressure
- Utilizes reverse flow regeneration, proven to be the most effective way to clean the resin bed
- Ideal for medium to large households
- Can be used with city or well water sources
- Installation kit includes custom fit bypass valve



### SPECIFICATIONS

Model Number	NST45ED1
Part Number	7366449
Household Size	1-6+ people
Max. Capacity (grains)	45,300
Resin (cu. ft)	1.26
Standard Connection Size	1" NPT
Valve	1" valve; up to 1 1/4" plumbing
Connection Size	1" male pipe thread
Rated Service Flow Rate (gpm)	10
Intermittent Flow Rate (gpm @ 30 psi drop)	18.6
Clear Water Iron Removal (ppm)	12
Electronic Demand	Yes
Max. Efficiency (per minimum salt dose)	5.070 @ 2.6 lbs
Dimensions	Resin Tank and Electronics H 50" X W 10 1/2" Brine Tank H 39" X W 18"
NSF Certification (NSF/ANSI standard)	44 & 372

### WARRANTY

**1 year** parts | **3 year** electronic control board | **10 year** salt storage and mineral tank

## 70,000 GRAIN WATER SOFTENER

MODEL: NST70ED1 | PN: 7366457

### FEATURES

- Utilizes AutoSense™ Technology to monitor your water usage and determine the optimal frequency of regeneration, minimizing salt and water use
- Ultra high-flow for up to 1" plumbing delivers maximum water pressure
- Utilizes reverse flow regeneration, proven to be the most effective way to clean the resin bed
- Ideal for medium to large households
- Can be used with city or well water sources
- Installation kit includes custom fit bypass valve



### SPECIFICATIONS

Model Number	NST70ED1
Part Number	7366457
Household Size	1-6+ people
Max. Capacity (grains)	70,000
Resin (cu. ft)	1.94
Standard Connection Size	1" NPT
Valve	1" valve; up to 1 1/4" plumbing
Connection Size	1" male pipe thread
Rated Service Flow Rate (gpm)	13.5
Intermittent Flow Rate (gpm @ 30 psi drop)	21
Clear Water Iron Removal (ppm)	19
Electronic Demand	Yes
Max. Efficiency (per minimum salt dose)	5,080 @ 4.1 lbs
Dimensions	Resin Tank and Electronics H 65 3/4" X W 12 1/4" Brine Tank H 39" X W 18"
NSF Certification (NSF/ANSI standard)	44 & 372

### WARRANTY

**1 year** parts | **3 year** electronic control board | **10 year** salt storage and mineral tank

# DRINKING WATER FILTRATION



# REVERSE OSMOSIS FILTRATION SYSTEM

MODEL: NSRO42C4 | PN: 7287695

## FEATURES

- Three-stage system provides the highest level of filtration for the ultimate in cleanliness and clarity
- Slim line design easily fits under the sink
- High capacity storage tank
- Utilizes twist and pull sanitary filters which allow you to easily replace filters without touching filter media or having to turn the water off to replace filters
- Lead-free all metal designer faucet comes with water quality monitor that indicates when to replace filters
- Installation kit includes all components needed for typical install
- Sophisticated electronics measures the contaminants in the water and how much water you have used to remind you when to change the filters



## CONTAMINANT REDUCTION



CHLORINE



SEDIMENT



CYSTS



LEAD



CHEMICALS



DISSOLVED SOLIDS



Model: NSROF  
Pre/Post Filter Set  
PN: 7287506



Model: NSROM  
Membrane Filter  
PN: 7287514

## SPECIFICATIONS

Model Number	NSRO42C4
Part Number	7287695
For Use with Filters	NSROF & NSROM
Daily Production Rate (gal)	14.76
Storage Tank Capacity (gal)	2.4
Flow Rate (gpm)	Up to 1.0
Inlet - Outlet	3/8" Quick Connect
Filter Life	750 gal or 6 months
RO Membrane Life	2 years
NSF Certification (NSF/ANSI Standard)	42 & 58
Faucet	Chrome w/LED Ring - 7290135 (included)
	Brushed Nickel w/LED Ring - 7289728 (sold separately)
<b>1 year</b> parts warranty	•

# DUAL-STAGE FILTRATION SYSTEM

MODEL: NSDW500 | PN: 7358187

## FEATURES

- Dual-stage system provides advanced protection against unwanted contaminants
- Perfect for drinking, cooking, coffee and ice
- Slim line design easily fits under the sink
- Utilizes twist and pull sanitary filters, which allow you to easily replace filters without touching filter media
- Requires separate filtration faucet (sold separately)
- Installation kit includes all components needed for typical install



## CONTAMINANT REDUCTION



Faucet sold separately



Model: NSDW500R  
Filter Set  
PN: 7358195

SPECIFICATIONS	
Model Number	NSDW500
Part Number	7358187
For Use with Filters	NSDW500R
Flow Rate (gpm)	0.5
Inlet - Outlet	3/8" Quick Connect
Filter Life	270 gal or 6 months
NSF Certification (NSF/ANSI Standard)	42 & 53
Faucet	Chrome - WHEFCHR (sold separately)
	Brushed Nickel - WHEFSAT (sold separately)
<b>1 year</b> parts warranty	•

## FULL FLOW WATER FILTRATION SYSTEM

MODEL: NSDW300 | PN: 7358276

### FEATURES

- Compact design easily installs under the kitchen or bathroom sink
- No additional faucet required
- Utilizes twist-and-pull sanitary filters for easy replacements, without shutting the water supply off
- NSF Certified under NSF/ANSI std. 42
- Installation kit includes all components needed for a typical install
- Filter should be replaced every 6 months or 2000 gallons
- Connects to cold water supply line to your existing faucet.
- Includes one-year limited warranty

### CONTAMINANT REDUCTION



CHLORINE



SEDIMENT



Model: NSDW300R  
7358284

**REPLACES  
30,296  
BOTTLES OF WATER  
EVERY YEAR\***



### SPECIFICATIONS

Model Number	NSDW300
Part Number	7358276
For Use with Filters	NSDW300R
Flow Rate (gpm)	2.0
Inlet - Outlet	3/8" Quick Connect
Filter Life	2000 gal or 6 months
NSF Certification (NSF/ANSI Standard)	42
<b>1 year</b> parts warranty	•

## 5-YEAR REFRIGERATOR FILTER

MODEL: NSIF200 | PN: 7358315

### FEATURES

- Fits most refrigerator brands, including Samsung, LG, Whirlpool, Kenmore, Frigidaire and GE
- Lasts 5x longer than most refrigerator filters
- Perfect for refrigerator water dispensers, ice makers, RVs, motor homes, etc.
- Installation kit includes 1/4" compression fitting and 1/4" simple push to connect fittings

### CONTAMINANT REDUCTION



CHLORINE



SEDIMENT



### SPECIFICATIONS

Model Number	NSIF200
Part Number	7358315
Flow Rate (gpm)	0.5
Inlet - Outlet	1/4" Quick Connect & 1/4" Compression
Filter Life	2500 gal or 5 years
NSF Certification (NSF/ANSI Standard)	42

## IN-LINE REFRIGERATOR FILTER

MODEL: NSIF100 | PN: 7358488

### FEATURES

- Fits most refrigerator brands, including Samsung, LG, Whirlpool, Kenmore, Frigidaire and GE
- Utilizes carbon filtration for better tasting water
- Perfect for refrigerator water dispensers, ice makers, RVs, motor homes, etc.
- Installation kit includes 1/4" compression fitting and 1/4" simple push to connect fitting

### CONTAMINANT REDUCTION



CHLORINE



SEDIMENT



### SPECIFICATIONS

Model Number	NSIF100
Part Number	7358488
Flow Rate (gpm)	0.5
Inlet - Outlet	1/4" Quick Connect
Filter Life	1350 gal or 6 months
NSF Certification (NSF/ANSI Standard)	42

# WHOLE HOME FILTRATION





## 10" STANDARD OPAQUE HOUSING

MODEL: NS200 | PN: 7358438

### FEATURES

- Features integrated mounting bracket and pressure release button for quick filter changes
- Uses most major brands of 10" standard capacity whole home filters
- Compatible with North Star filters: **NS217, NSF217, NS205, NS225 & NS250** (filter not included)
- **Includes:** mounting bracket and screws, installation guide

### CONTAMINANT REDUCTION\*



CHLORINE



SEDIMENT



### SPECIFICATIONS

Part Number	7358438
Inlet - Outlet	3/4" FNPT
Operating Temperature	40-100°F / 5-38°C
Operating Pressure	40-100psi / 275-690kPa
Product Dimensions (H x W)	13.5" x 4.5"
Uses Filter Size (H x W)	2.5" x 10"
NSF Certification (NSF/ANSI Standard)	42
<b>1 year</b> parts warranty	•

\* Contaminant reduction dependent on filter selection

## 10" STANDARD CLEAR VALVE-IN-HEAD HOUSING

MODEL: NSV200T | PN: 7358420

### FEATURES

- Features integrated bypass valve and clear sump for easier filter changes
- Uses most major brands of 10" standard capacity whole home filters
- Compatible with North Star filters: **NS217, NSF217, NS205, NS225 & NS250** (filter not included)
- **Includes:** sump wrench, mounting bracket and screws, installation guide

### CONTAMINANT REDUCTION\*



CHLORINE



SEDIMENT



### SPECIFICATIONS

Part Number	7358420
Inlet - Outlet	3/4" FNPT
Operating Temperature	40-100°F / 5-38°C
Operating Pressure	40-100psi / 275-690kPa
Product Dimensions (H x W)	14" x 5.5"
Uses Filter Size (H x W)	2.5" x 10"
NSF Certification (NSF/ANSI Standard)	42
<b>1 year</b> parts warranty	•

\* Contaminant reduction dependent on filter selection

## 10" LARGE OPAQUE HOUSING

MODEL: NS900 | PN: 7358454

### FEATURES

- Designed for homes with up to 1" plumbing
- Features mounting bracket and integrated pressure release button for quick filter changes
- Uses most major brands of 10" large capacity whole home filters
- Compatible with North Star filters: **NS917, NSF917, NS905, NS925 & NS950** (filter not included)
- **Includes:** sump wrench, mounting bracket and screws, installation guide

### CONTAMINANT REDUCTION\*



CHLORINE



SEDIMENT

UNIVERSAL  
FIT



### SPECIFICATIONS

Part Number	7358454
Inlet - Outlet	1" FNPT
Operating Temperature	40-100°F / 5-38°C
Operating Pressure	40-100psi / 275-690kPa
Product Dimensions (H x W)	13.25" x 7.25"
Uses Filter Size (H x W)	4.5" x 10"
NSF Certification (NSF/ANSI Standard)	42
<b>1 year</b> parts warranty	•

\* Contaminant reduction dependent on filter selection

## 20" STANDARD OPAQUE HOUSING

MODEL: NS2002 | PN: 7358446

### FEATURES

- Designed for homes up to 3/4" plumbing
- Features mounting bracket and integrated pressure release button for quick filter changes
- Uses most major brands of 20" standard capacity whole home filters
- Compatible with North Star filters: **NS2052** (filter not included)
- **Includes:** sump wrench, mounting bracket and screws, installation guide

### CONTAMINANT REDUCTION\*



CHLORINE



SEDIMENT

UNIVERSAL  
FIT



### SPECIFICATIONS

Part Number	7358446
Inlet - Outlet	3/4" FNPT
Operating Temperature	40-100°F / 5-38°C
Operating Pressure	Max: 100psi / 690kPa
Product Dimensions (H x W)	23.5" x 7.25"
Uses Filter Size (H x W)	2.5" x 20"
NSF Certification (NSF/ANSI Standard)	42
<b>1 year</b> parts warranty	•

\* Contaminant reduction dependent on filter selection

## 20" LARGE OPAQUE HOUSING

MODEL: NS9002 | PN: 7358462

### FEATURES

- Designed for homes with up to **1" plumbing**
- Features mounting bracket and integrated pressure release button for quick filter changes
- Uses most major brands of 20" standard capacity whole home filters
- Compatible with North Star filters: **NS9172, NS9052 & NS9252** (filter not included)
- **Includes:** sump wrench, mounting bracket and screws, installation guide

### CONTAMINANT REDUCTION\*



CHLORINE



SEDIMENT



### SPECIFICATIONS

Part Number	7358462
Inlet - Outlet	1" FNPT
Operating Temperature	40-100°F / 5-38°C
Operating Pressure	Max: 100psi / 690kPa
Product Dimensions (H x W)	23.5" x 7.25"
Uses Filter Size (H x W)	4.5" x 20"
NSF Certification (NSF/ANSI Standard)	42
<b>1 year</b> parts warranty	•

\* Contaminant reduction dependent on filter selection

## 20" LARGE OPAQUE HOUSING

MODEL: NS9003 | PN: 7358470

### FEATURES

- Designed for homes with up to **1.5" plumbing**
- Features mounting bracket and integrated pressure release button for quick filter changes
- Uses most major brands of 20" standard capacity whole home filters
- Compatible with North Star filters: **NS9172, NS9052 & NS9252** (filter not included)
- **Includes:** sump wrench, mounting bracket and screws, installation guide

### CONTAMINANT REDUCTION\*



CHLORINE



SEDIMENT



### SPECIFICATIONS

Part Number	7358470
Inlet - Outlet	1 1/2" FNPT
Operating Temperature	40-100°F / 5-38°C
Operating Pressure	Max: 100psi / 690kPa
Product Dimensions (H x W)	23.5" x 7.25"
Uses Filter Size (H x W)	4.5" x 20"
NSF Certification (NSF/ANSI Standard)	42
<b>1 year</b> parts warranty	•

\* Contaminant reduction dependent on filter selection

## 10" STANDARD CAPACITY FILTERS



**UNIVERSAL  
FIT**

NSF Certified under NSF/ANSI 42

**Universal Fit**

- Fits most major brands of whole home housings

**Grooved**

- Provides more surface area and greater capacity

**Carbon Block**

- Improves taste and odor of drinking water

**Premium Carbon with FACT®**

- Low pressure drop allows for high flow rate
- High sediment filter - resistant to clogging

### SPECIFICATIONS

### 10" STANDARD CAPACITY FILTERS 2PK

Model Number	NS250	NS225	NS205	NS217	NSF217
Part Number	7358349	7358331	7358323	7358226	7358234
Description	Grooved	Grooved	Grooved	Carbon Block	Premium Carbon with FACT®
Dimensions	2.5" x 10"	2.5" x 10"	2.5" x 10"	2.5" x 10"	2.5" x 10"
Micron Rating	50	25	5	5	0.7
Flow Rate (gpm)	9	9	9	4	5
Max Water Temperature	140°F/60°C	140°F/60°C	140°F/60°C	100°F/40°C	100°F/40°C
Filter Life	3 Months	3 Months	3 Months	3 Months	6 Months
Compatible with Systems	NSV200T NS200	NSV200T NS200	NSV200T NS200	NSV200T NS200	NSV200T NS200

### CONTAMINANT REDUCTION

Sediment - Sand, Dirt, Rust	•	•	•	•	•
Chlorine Taste & Odor				•	•

## 10" LARGE CAPACITY FILTERS



**UNIVERSAL  
FIT**

NSF Certified under NSF/ANSI 42

**Universal Fit**

- Fits most major brands of whole home housings

**Grooved**

- Provides more surface area and greater capacity

**Carbon Block**

- Improves taste and odor of drinking water

**Premium Carbon with FACT®**

- Low pressure drop allows for high flow rate
- High sediment filter - resistant to clogging

### SPECIFICATIONS

### 10" LARGE CAPACITY FILTERS

Model Number	NS950	NS925	NS905	NS917	NSF917
Part Number	7358381	7358373	7358365	7358200	7358242
Description	Grooved	Grooved	Grooved	Carbon Block	Premium Carbon with FACT®
Dimensions	4.5" x 10"	4.5" x 10"	4.5" x 10"	4.5" x 10"	4.5" x 10"
Micron Rating	50	25	5	25	0.7
Flow Rate (gpm)	20	20	20	4	22
Max Water Temperature	140°F/60°C	140°F/60°C	140°F/60°C	100°F/40°C	100°F/40°C
Filter Life	3 Months	3 Months	3 Months	3 Months	6 Months
Compatible with Systems	NS900	NS900	NS900	NS900	NS900

### CONTAMINANT REDUCTION

Sediment - Sand, Dirt, Rust	•	•	•	•	•
Chlorine Taste & Odor				•	•



NSF Certified under NSF/ANSI 42

**Universal Fit**

- Fits most major brands of 20" whole home housings

**Grooved**

- Provides more surface area and greater capacity

**Carbon Block**

- Improves taste and odor of drinking water

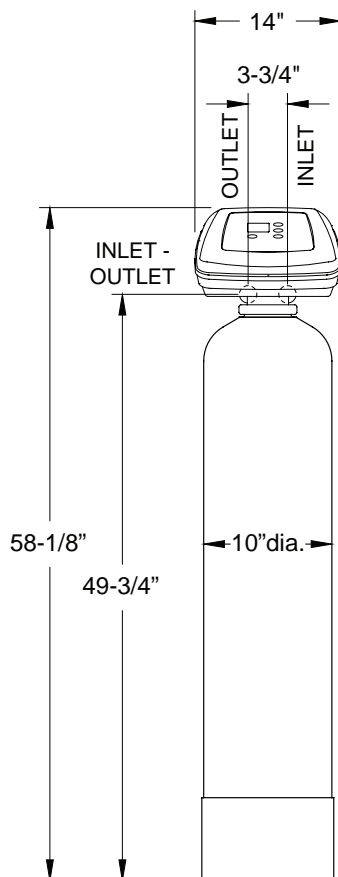
SPECIFICATIONS		20" STANDARD & LARGE CAPACITY FILTERS			
Model Number	NS2052	NS9252	NS9052	NS9172	
Part Number	7358357	7358404	7358399	7358218	
Description	Grooved	Grooved	Grooved	Carbon Block	
Dimensions	2.5" x 20"	4.5" x 20"	4.5" x 20"	4.5" x 20"	
Micron Rating	5	25	5	25	
Flow Rate (gpm)	18	50	50	25	
Max Water Temperature	140°F/60°C	140°F/60°C	140°F/60°C	100°F/40°C	
Filter Life	3 Months	3 Months	3 Months	3 Months	
Compatible with Systems	NS2002	NS9002 & NS9003	NS9002 & NS9003	NS9002 & NS9003	
CONTAMINANT REDUCTION					
Sediment - Sand, Dirt, Rust	•	•	•	•	
Chlorine Taste & Odor				•	

## CHLORINE/CHLORAMINE FILTER

MODEL: NSCCTOSSA | PN: 7340794

### FEATURES

- Clean and easy-to-use
- Chemical free
- High flow rate – 14 gpm
- Suitable for most homes
- Multiple parallel units can be used for maximum flows
- Self-flushing
- Skin protection from chlorine and chloramines
- Large 1" connections
- Coconut shell, high activity catalytic carbon
- Improves taste and order of water



### SPECIFICATIONS

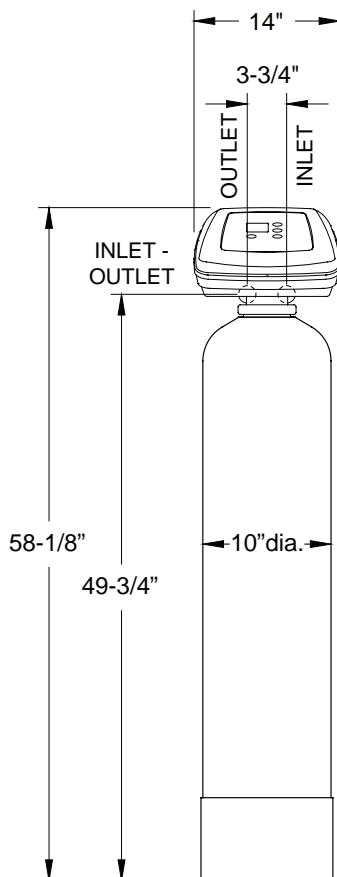
Part Number	7340794
Household Size	All
Nominal Mineral Tank Size	10" x 47"
Supply Water pH Limitation Level	Variable
Mineral Type	Catalytic Carbon
Amount of Mineral	.71 cu. ft.
Amount of Filter Sand	10 lbs
Amount of Gravel Base	17 lbs.
Inlet Water Pressure Limits	20-125 PSI
Max. Water Temperature	120°F
Min. Inlet Water Flow	270 gal./hour
Pipe Size	1"
Electrical Rating	24V 60Hz
Service Flow Rates	10 gpm @10 psi pressure drop
Backwash Flow Rate	5 gpm
Type of Backwash Process	Automatic

## ACID NEUTRALIZER FILTER

MODEL: NSANSSA | PN: 7263146

### FEATURES

- Neutralizer tank filter
- Contains an acid neutralizing compound that slowly dissolves as the water passes through it, raising pH of water toward neutral (or 7 on the pH scale)
- Corrects pH levels between 6-6.8
- Must periodically add new compound to the tank
- Clean and easy-to-use
- Large 1" connection
- High flow rate: 12 gpm
- Self-flushing
- Suitable for most homes



### SPECIFICATIONS

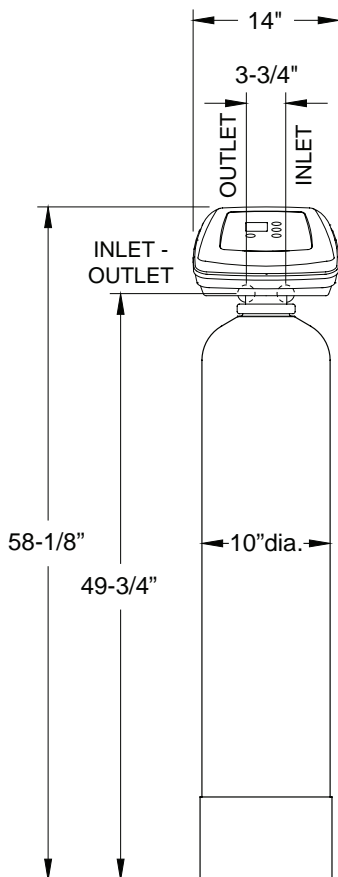
Part Number	7263146
Household Size	All
Nominal Mineral Tank Size	10" X 47"
Supply Water pH Limitation Level	6-6.8
Mineral Type	Neutralite/Magnesium Oxide
Amount of Mineral	1 cu. ft.
Amount of Filter Sand	10 lbs
Amount of Gravel Base	17 lbs
Inlet Water Pressure Limits	20-125 psi
Max Water Temperature	120°F
Min Inlet Water Flow	270 gal./hour
Pipe Size	1"
Electrical Rating	24V 60Hz
Service Flow Rates	12 gpm @10 psi pressure drop
Backwash Flow Rate	5 gpm
Type of Backwash Process	Automatic

## SEDIMENT FILTER

MODEL: NSSFSSA | PN: 7263120

### FEATURES

- Clear up dirty or cloudy water
- Water is passed through a bed of extremely hard, fine aggregate that traps dirt, sand, silt and other particles.
- Automatic backwashing at pre-determined intervals flushes sediment from the system.
- Backwash time/length is adjustable.
- Media never requires replacement under normal operating conditions.



### SPECIFICATIONS

Part Number	7263120
Household Size	All
Nominal Mineral Tank Size	10" X 47"
Supply Water pH Limitation Level	Variable
Mineral Type	Aggregate
Amount of Mineral	1 cu. ft.
Amount of Filter Sand	10 lbs
Amount of Gravel Base	17 lbs
Inlet Water Pressure Limits	20-125 psi
Max. Water Temperature	120*F
Min. Inlet Water Flow	270 gal./hour
Pipe Size	1"
Electrical Rating	24V 60Hz
Service Flow Rates	10 gpm @ 10 psi pressure drop
Backwash Flow Rate	5 gpm
Type of Backwash Process	Automatic

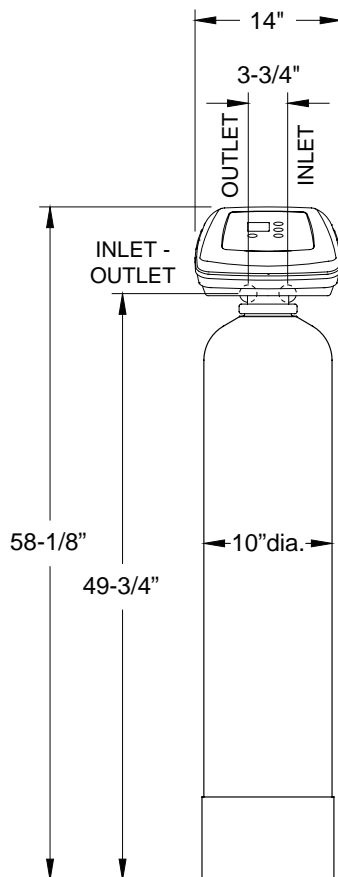


# ALL PURPOSE FILTER (EMPTY)

MODEL: NSAPFSSA | PN: 7263154

## FEATURES

- Automatic solid state, all purpose tank filter (media not included)
- 10" x 47" empty tank
- Select the mineral type and configuration that best treat the problem water
- Solid-state control provides precise control of all functions
- Capacitor maintains setting up to 6 hours
- Vacation setting
- Extra regeneration for high water use
- Large 1" Connection



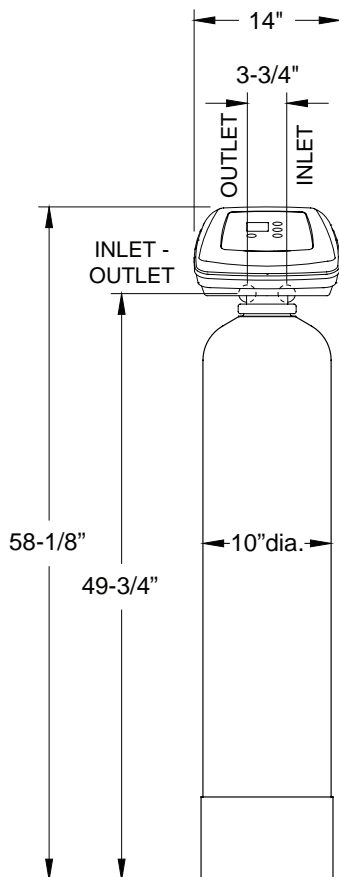
SPECIFICATIONS	
Part Number	7263154
Household Size	All
Nominal Mineral Tank Size	10" X 47"
Supply Water pH Limitation Level	Variable
Mineral Type	Not Supplied
Amount of Mineral	1 cu. ft.
Amount of Filter Sand	10 lbs
Amount of Gravel Base	17 lbs
Inlet Water Pressure Limits	20- 125 psi
Max. Water Temperature	120*F
Min. Inlet Water Flow	270 gal./hour
Pipe Size	1"
Electrical Rating	24V 60Hz
Service Flow Rates	NA
Backwash Flow Rate	5 gpm
Type of Backwash Process	Automatic

## XL ALL PURPOSE FILTER (EMPTY)

MODEL: NSAPFXLA | PN: 7263104

### FEATURES

- Automatic solid state, all purpose tank filter (media not included)
- 12" x 54" empty tank
- Select the mineral type and configuration that best treat the problem water
- Solid-state control provides precise control of all functions
- Vacation setting
- Extra regeneration for high water use
- Large 1" Connection



### SPECIFICATIONS

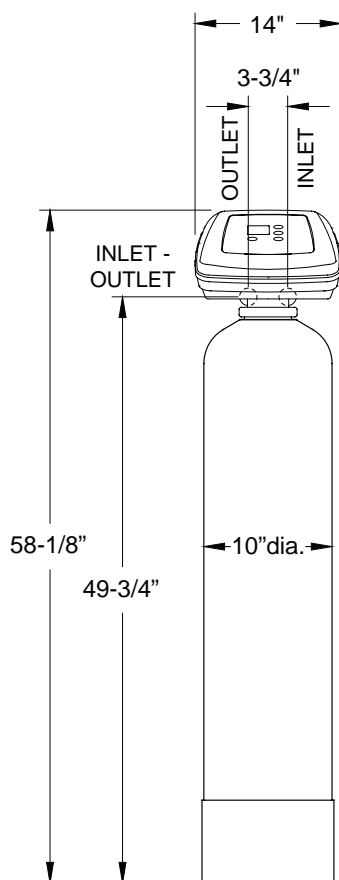
Part Number	7263104
Household Size	All
Nominal Mineral Tank Size	12" X 54"
Supply Water pH Limitation Level	Variable
Mineral Type	Not Supplied
Amount of Mineral	2 cu. ft.
Amount of Filter Sand	29 lbs
Amount of Gravel Base	15 lbs
Inlet Water Pressure Limits	20-125 psi
Max. Water Temperature	120*F
Min. Inlet Water Flow	420 gal./hour
Pipe Size	1"
Electrical Rating	24V 60Hz
Service Flow Rates	NA
Backwash Flow Rate	7 gpm
Type of Backwash Process	Automatic

## OH2-IRON FILTER

MODEL: NSAIV10 | PN: 7336127

### FEATURES

- No bleach, no potassium permanganate, no chemicals
- Naturally aspirated air used to oxidize contaminants, zeolite media filters contaminants out and backwashes them to the drain
- No pumps, air is aspirated into system after the backwash cycle
- One inch plumbing connections
- Easy-to-use 24-volt controller — just plug transformer into wall outlet
- Full one-inch diameter riser tube — for increased flow rate
- Multi-wrap™ fiberglass reinforced resin tank
- Multi-cycle valve with easy-clamp ring and patented coated disc
- Zeolite with washed quartz under bedding
- Includes bypass valve and installation kit



### SPECIFICATIONS

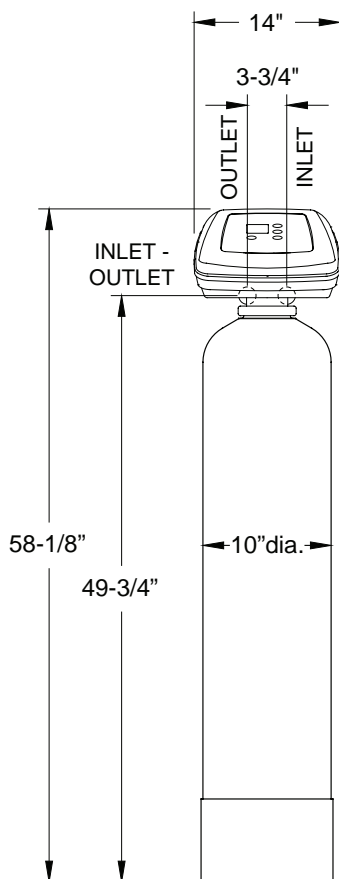
Part Number	7336127
Household Size	All
Nominal Mineral Tank Size	10" x 47"
Mineral Type	Zeolite
Amount of Mineral	1.0 cu. ft.
Amount of Gravel Base (Quartz)	17 lbs. (29 lbs. for 12")
Contaminant Removal Limitations	Up to 10 ppm Iron
Max. Water Pressure	80 PSI
Water Temperature Limits	40-120°F
Flow Rate	7-10 gpm
Backwash Flow Rate	7 gpm
Electrical Rating	24V 60Hz
Type of Backwash Process	Automatic

## XL OH2-IRON FILTER

MODEL: NSAIV12 | PN: 7336630

### FEATURES

- No bleach, no potassium permanganate, no chemicals
- Naturally aspirated air used to oxidize contaminants, zeolite media filters contaminants out and backwashes them to the drain
- No pumps, air is aspirated into system after the backwash cycle
- One inch plumbing connections
- Easy-to-use 24-volt controller — just plug transformer into wall outlet
- Full one-inch diameter riser tube — for increased flow rate
- Multi-wrap™ fiberglass reinforced resin tank
- Multi-cycle valve with easy-clamp ring and patented coated disc
- Zeolite with washed quartz underbedding
- Includes bypass valve and installation kit



### SPECIFICATIONS

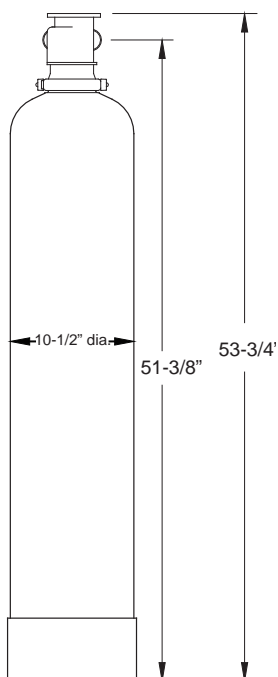
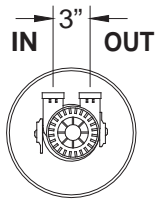
Part Number	7336630
Household Size	All
Nominal Mineral Tank Size	12" X 54"
Mineral Type	Zeolite
Amount of Mineral	2 cu. Ft.
Amount of Quartz Gravel	29 lbs
Contaminant Removal Limits	Up to 10 ppm iron
Max Water Pressure	80 psi
Max Water Temperature	120*F
Flow Rate	9-15 gpm
Backwash Flow Rate	10 gpm
Electrical Rating	24V 60 Hz
Type of Backwash Process	Automatic

## IN/OUT ALL PURPOSE FILTER

MODEL: IOAPF10 | PN: 7356127

### FEATURES

- Upflow, all purpose tank filter (media not included)
- 10" x 47" empty tank
- Select the mineral type and configuration that best treat the problem water
- Upflow design does not require water for backwashing
- Fill port on In/Out adapter allows addition of media without removing the adapter
- Large 1" connection
- Multiple parallel units can be used for maximum flows
- Suitable for most homes



### SPECIFICATIONS

Part Number	7356127
Household Size	All
Nominal Mineral Tank Size	10" X 47"
Media Type	Custom Media Options
Amount of Media	3 lbs
Amount of Quartz Gravel	16 lbs
Max Neutralite Mix Media (not included)	100 lbs
Service Flow Rate	10 gpm
Max Water Pressure	125 psi
Max Water Temperature	120*F

## XL IN/OUT ALL PURPOSE FILTER

MODEL: IOAPF12 | PN: 7356119

### FEATURES

- Upflow, all purpose tank filter (media not included)
- 12" x 54" empty tank
- Select the mineral type and configuration that best treat the problem water
- Upflow design does not require water for backwashing
- Fill port on In/Out adapter allows addition of media without removing the adapter
- Large 1" connection
- Multiple parallel units can be used for maximum flows
- Suitable for most homes

### CONTAMINANT REDUCTION



SEDIMENT



### SPECIFICATIONS

Part Number	7356127
Household Size	All
Nominal Mineral Tank Size	10" X 47"
Media Type	HDPE Pellets
Amount of Media	3 lbs
Amount of Quartz Gravel	16 lbs
Max Neutralite Mix Media (not included)	100 lbs
Service Flow Rate	10 gpm
Max Water Pressure	125 psi
Max Water Temperature	120*F
Electrical Rating	24V 60Hz
Type of Backwash Process	Automatic

# CENTRAL WATER FILTRATION SYSTEM

MODEL: NSWHCW | PN: 7358179

## FEATURES

- Provides filtered water throughout your entire home, without filters to replace
- Reduces chlorine and sediment from the water supply, perfect for municipal water
- System automatically flushes, cleans and drains its internal filter every 14 days
- High-flow valve maintains water pressure throughout the home, including your shower and appliances
- Connects with up to 1-inch plumbing
- Includes: installation kit with custom fit bypass valve, installation guide



## CONTAMINANT REDUCTION



CHLORINE



SEDIMENT



## SPECIFICATIONS

Part Number	7358179
Flow Rate	6 gpm
Water Pressure Limits	30 - 125 psi
Water Temperature Limits	40 - 100*F
Drain Flow Rate	3.4 gpm
Estimated Total Capacity	570,000 gallons
NSF Certification	42

## WARRANTY

**1 year** parts | **3 year** electronic control board | **10 year** media tank

## 10" STANDARD SCALE MANAGEMENT SYSTEM

MODEL: NSAS 2500 | PN: 7337018

### FEATURES

- Salt-free solution for managing scale
- Inhibits scale build-up in plumbing, appliances, fixtures
- Installs on incoming water line for scale-managed water throughout your home
- Uses NSAS2510 10" replacement filter cartridges
- Capacity: about 20,000 gallons
- Built-in pressure relief valve for quick filter changes
- Bracket included
- No electricity needed, no drain required
- No corrosive citric acid, no poly-phosphate added

### CONTAMINANT REDUCTION



SCALE



Model: NSAS 2510  
7337131

### SPECIFICATIONS

Part Number	7337018
Flow Rate (gpm)	5
Filter Life	20,000 gallons
Inlet - Outlet	3/4" FNPT
Operating Temperature	40-100°F / 5-38°C
Operating Pressure	40-100psi / 275-690kPa
Product Dimensions (H x W)	11.5" x 4.9"

### WARRANTY

**1 year** parts



# 10" LARGE SCALE MANAGEMENT SYSTEM

MODEL: NSAS 4500 | PN: 7337000

## FEATURES

- Salt-free solution for managing scale
- Inhibits scale build-up in plumbing, appliances, fixtures
- Installs on incoming water line for scale-managed water throughout your home, Uses NSAS4510 10" replacement filter cartridges
- Capacity: about 35,000 gallons
- Built-in pressure relief valve for quick filter changes
- Bracket included
- No electricity needed, no drain required, No corrosive citric acid, no poly-phosphate added

## CONTAMINANT REDUCTION



SCALE



Model: NSAS 4510  
7337686

### SPECIFICATIONS

Part Number	7337000
Flow Rate (gpm)	10
Filter Life	35,000 gallons
Inlet - Outlet	1" FNPT
Operating Temperature	40-100°F / 5-38°C
Operating Pressure	40-100psi / 275-690kPa
Product Dimensions (H x W)	13.0" x 7.2"

### WARRANTY

1 year parts

## 20" LARGE SCALE MANAGEMENT SYSTEM

MODEL: NSAS 6500 | PN: 7336999

### FEATURES

- Salt-free solution for managing scale
- Inhibits scale build-up in plumbing, appliances, fixtures
- Installs on incoming water line for scale-managed water throughout your home
- Uses NSAS6520 20" replacement filter cartridges
- Capacity: about 50,000 gallons
- Built-in pressure relief valve for quick filter changes
- Bracket included
- No electricity needed, no drain required
- No corrosive citric acid, no poly-phosphate added

### CONTAMINANT REDUCTION



Model: NSAS 6520  
7337115



### SPECIFICATIONS

Part Number	7336999
Flow Rate (gpm)	12
Filter Life	50,000 gallons
Inlet - Outlet	1" FNPT
Operating Temperature	40-100°F / 5-38°C
Operating Pressure	40-100psi / 275-690kPa
Product Dimensions (H x W)	23" x 7.2"

### WARRANTY

**1 year** parts

## SALT-FREE ANTI-SCALE SYSTEM

MODEL: EPAWCS | PN: EPAWCS8

### FEATURES

- Anti-scale media reduces hard water buildup in pipes and fixtures
- Helps maintain the life and performance of water-using appliances
- Water heaters operate 29% more efficiently and last 50% longer†
- Doesn't require water softener salt to operate
- Filters out sediment, dirt, rust and sand for cleaner, clearer water throughout your home
- Carbon filtration for better tasting water
- Automatic bypass eliminates need to shutoff household water supply when changing filters

### CONTAMINANT REDUCTION



CHLORINE



SEDIMENT



SCALE



Model: EPAWCF  
EPAWCF8



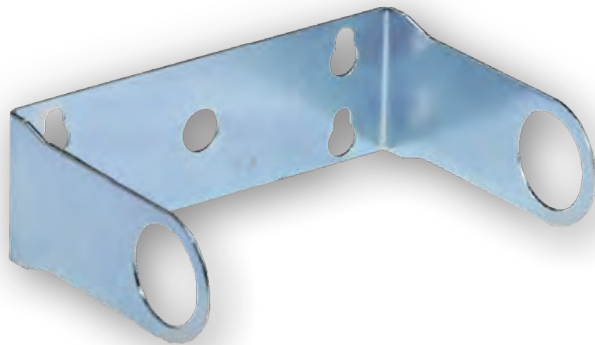
### SPECIFICATIONS

Part Number	EPAWCS8
Flow Rate (gpm)	9
Filter Life	6 Months
Inlet - Outlet	1" MNPT
Operating Temperature	40-100°F / 5-38°C
Operating Pressure	30-100psi / 207-690kPa
Product Dimensions (H x W)	12.0" x 16.0"

### WARRANTY

1 year parts

# RESIDENTIAL ACCESSORIES



## MOTORIZED WATER SHUT-OFF VALVE

MODEL: 7388598 | PN: 7388598

### FEATURES

- Provides water leak protection throughout the entire home
- Motorized ball valve plumbed into the water supply line
- Connects directly to the water softener electronic board via a plug connector
- Plug connector 10' long
- Remote control (on/off) of the incoming water supply via the iQua App
- Compatible with North Star Systems: **NSCWHC**



## REPLACEMENT O-RING KIT

MODEL: NSORK100 | PN: 7363425

### FEATURES

- Replacement O-Rings for 10" sumps
- Includes grease packet
- Compatible with North Star Systems: **NS200, NSV200T & NS900**



## MOUNTING BRACKET

MODEL: EP2BR | PN: EP2BR00

### FEATURES

- Mounting bracket for 3/4" plumbed whole home housings
- Compatible with North Star Systems: **NS200 & NSV200T**



## UNIVERSAL STRAP WRENCH

MODEL: EPUSW | PN: EPUSW00

### FEATURES

- Use with 10" and 20" Standard and Large Capacity Filter Housings
- Compatible with all housing systems except EPAWCS



## POLISHED CHROME DESIGNER FAUCET

MODEL: WHEFCHR | PN: WHEFCHR

### FEATURES

- Designed with an air gap
- Sleek polished chrome finish
- Includes 3/8" tubing connection
- Compatible with North Star systems: NSDW500



## BRUSHED NICKEL DESIGNER FAUCET

MODEL: WHEFSAT | PN: WHEFSAT

### FEATURES

- Grooved design provides more surface area and greater capacity
- Reduces contaminants down to 5 microns
- Fits most major brands of 10" large capacity whole home housings
- Compatible with North Star Systems: NSDW500



## POLISHED CHROME DESIGNER FAUCET W/ELEC. BASE

MODEL: 7290135 | PN: 7290135

### FEATURES

- Faucet, Chrome Finish, with Electronic Monitor Base, for Reverse Osmosis Systems
- Compatible with North Star systems: NSRO42C4



## BRUSHED NICKEL DESIGNER FAUCET W/ELEC. BASE

MODEL: 7289728 | PN: 7289728

### FEATURES

- Faucet, Satin Finish, with Electronic Monitor Base, for Reverse Osmosis Systems
- Compatible with North Star systems: NSRO42C4



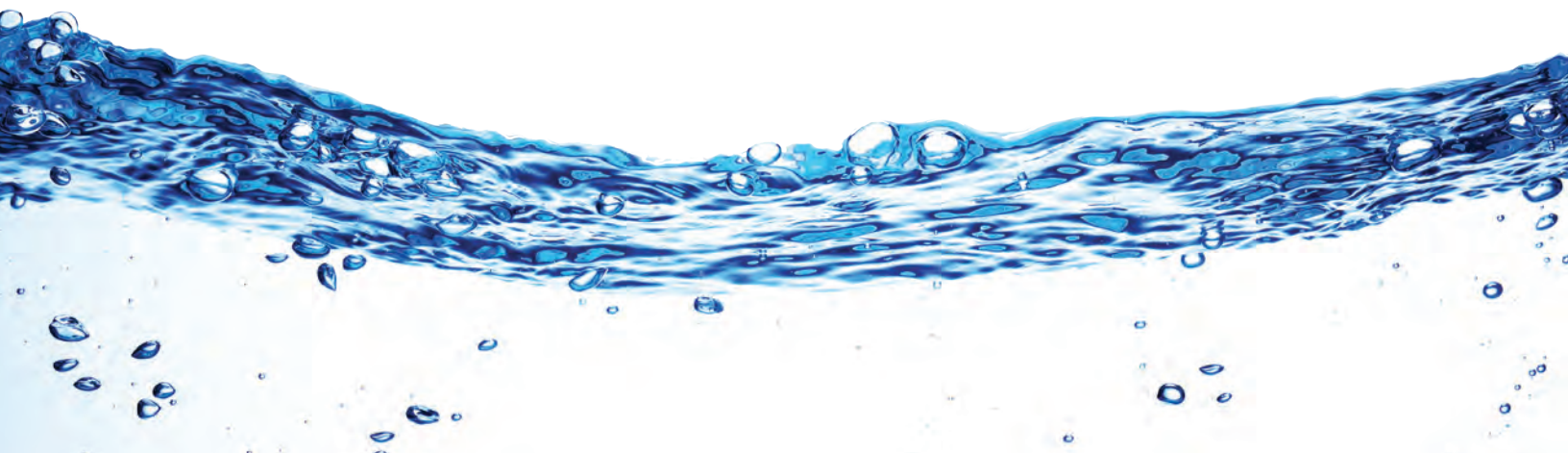
## WANT TO **KNOW MORE?**

If you need more information about North Star Water Filtration Systems, contact us or get in touch with your local North Star representative.

## HOW TO **CONTACT US**

info@northstarwater.com | www.northstarwater.com

NORTH STAR ALSO OFFERS A COMPREHENSIVE LINE OF  
**COMMERCIAL SOFTENING PRODUCTS**



**NORTH STAR**<sup>™</sup>  
WATER TREATMENT SYSTEMS

info@northstarwater.com / www.northstarwater.com  
1-800-972-0135