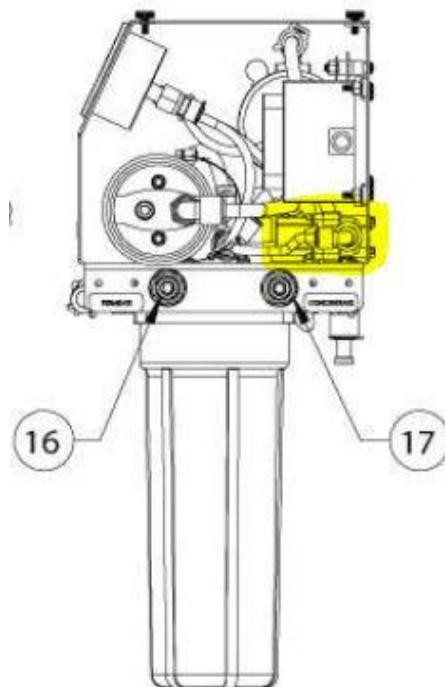
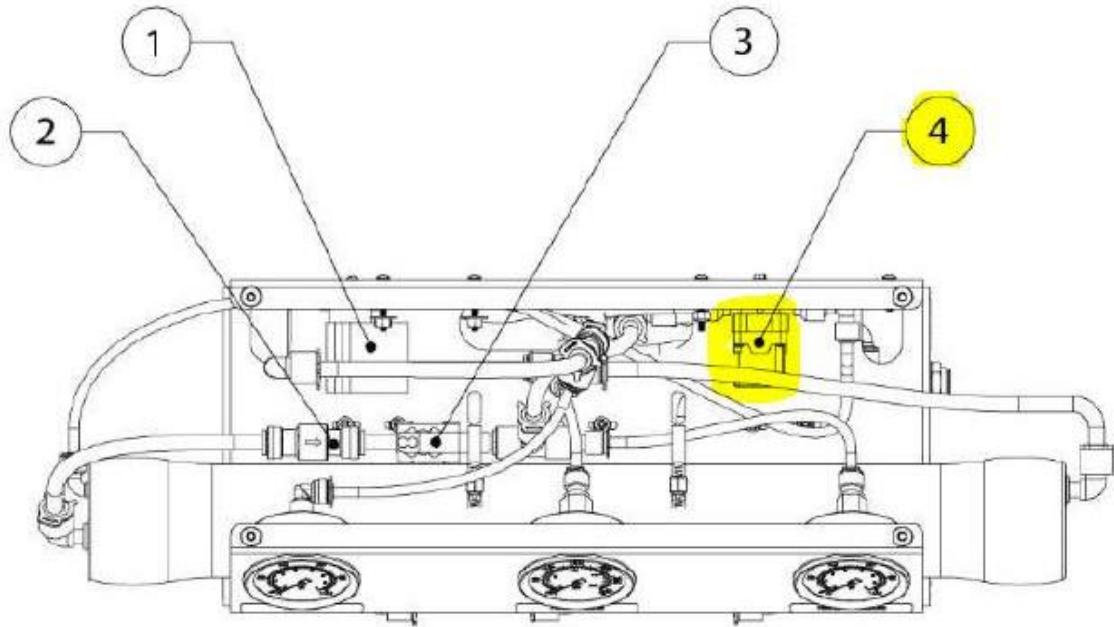


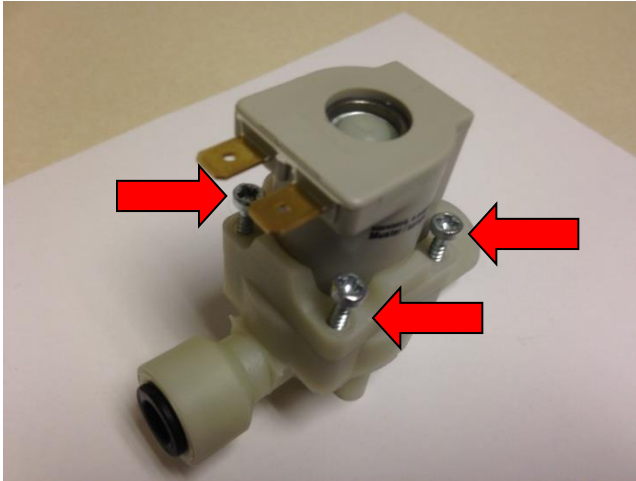
Axeon L1 Series Reverse Osmosis System

How to Clean the Solenoid Valve

- 1) Identify the solenoid valve on the system by removing the top cover. See top view and side view below. More images and system identification can be found on page 7-8 of the owner's manual.



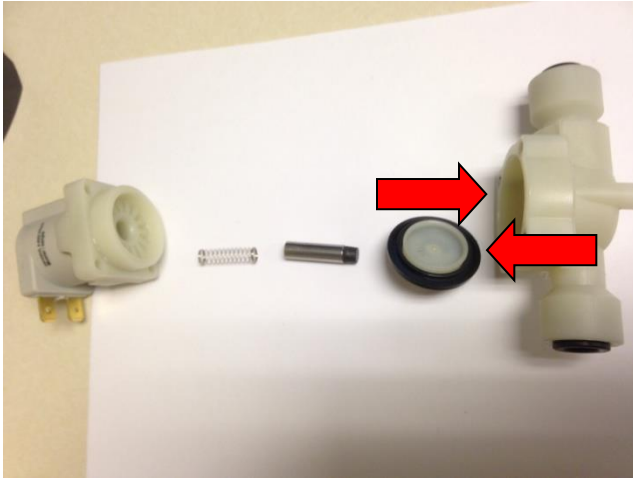
- 2) Highly recommend taking pictures of the solenoid valve before removing and disassembling, to help you reinstall it the exact same way.
- 3) Remove the solenoid valve from the bracket below the transformer.
- 4) Remove all four screws with a Philips screw driver.



- 5) Remove diaphragm and inspect for any debris.



- 6) Inspect and clean all parts thoroughly of any debris.



- 7) Reinstall all parts exactly in the same order you uninstalled them.
- 8) Re-attach solenoid valve to bracket and connect tubing. Notice the arrow on the bottom of the solenoid valve body to ensure proper flow direction.
- 9) The solenoid valve should now seal properly and prevent water from continually discharging when the system is not producing water.