



EMERGENCY PRESSURE RELIEF VENT

Item code: 202F

The Treloar 202F emergency vents are used on above ground bulk plant and storage tanks. The emergency vent is an auxiliary to a free vent or pressure-vacuum vent. It acts to relieve excess internal pressure created by overheating, fire and over-pumping etc. These vents meet the requirements of API 2000 code as stipulated in AS 1940.

FEATURES:

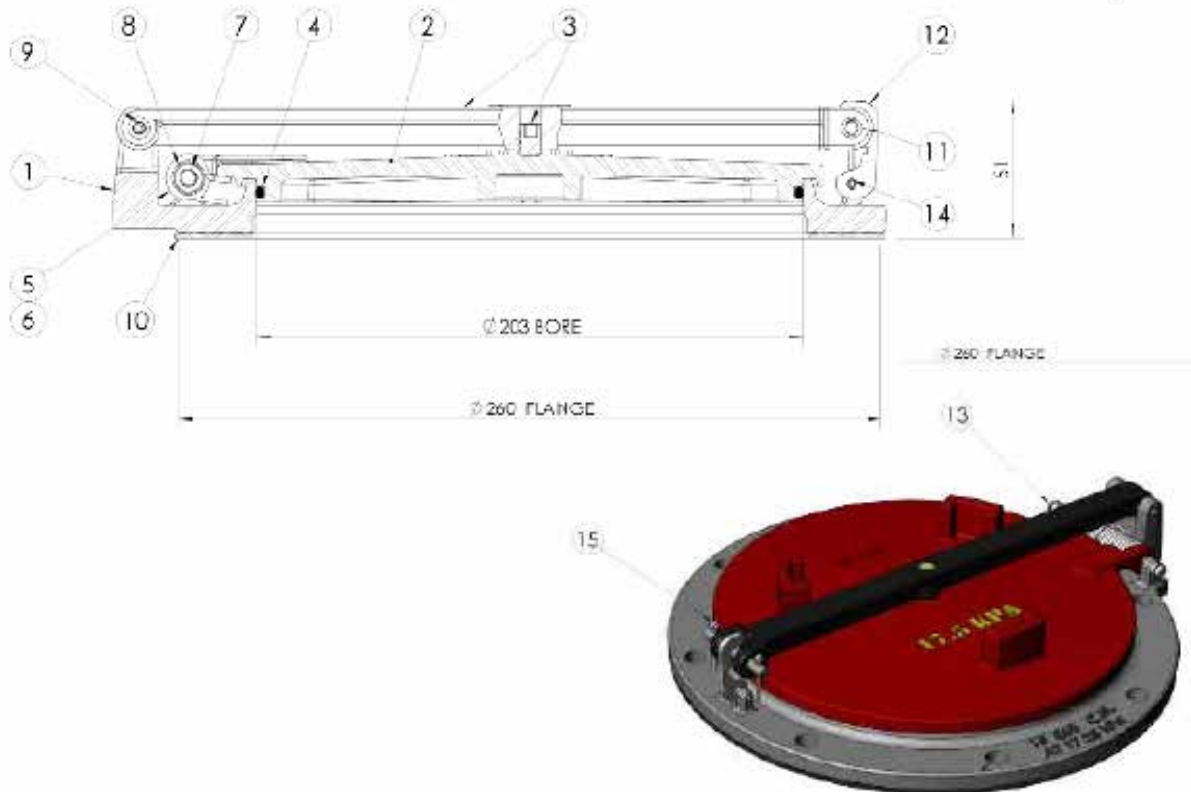
- Emergency vent comes in three emergency relief settings being 17.5kPa, 24kPa and 45kPa.
- Vents can be fitted to a 6" ASA 125 flange, however, we recommend the use of the 202SSF flange adaptor.
- The 202F vent, unlike other emergency vents, will show a failure mode, thus indicating that there are design or operational problems associated with the storage facility.
- The 202F on operating will completely open and remain open giving a maximum capacity of 15,850m³/hr at 17.5kPa. (The 202F has to be manually reset after operating).
- The body and lid are aluminium with the body having a P.T.F.E. bonded coating to prevent the lid sticking.
- The lid is anodised "red" for easy emergency observation.

RANGE OPTIONS:

Code	kPa	Description
202F-200-17.5	17.5	Emergency Relief Vent
202F-200-24	24	Emergency Relief Vent
202F-200-45	45	Emergency Relief Vent
Associated Equipment		
202SSF-200		Weld on Adaptor Flange

SPARE PARTS:

Code	kPa	Description
R005215-000	-	(All Vents) Bar Sub Assembly
R002272-147	17.5	Break Pin
R002271-030		Break Link
R002733-130	24	Standard Pin
R002271-030		Break Link
R002733-130	45	Standard Pin
R002734-120		Standard Link



CONSTRUCTION:

Item	Code	Description	Qty	Material
1	R002261-001	Body	1	Aluminium
2	R002262-001	Cap	1	Aluminium
3	R005215-000	Bar & Screw Sub-Assy.	1	Cast Iron/Steel Zn Pl
4	R606264-703	O-Ring	1	Viton
5	R002265-402	Right Hand Spring	1	Stainless Steel
6	R002266-402	Left Hand Spring	1	Stainless Steel
7	R002268-130	Hinge Pin	1	Stainless Steel
8	R002312-100	Spring Bush	1	Aluminium
9	R543686-502	Roll Pin 3/16" Dia x 1-1/4" Lg	1	Stainless Steel
10	R002319-602	Gasket	1	Nitrile Cork
11	R002272-147	Break Pin	1	Mechanical Carbon
12	R002271-030	Break Link	1	Stainless Steel
13	R544040-500	Circlip Ext. 1/4 Dia	2	Steel Zn Pl
14	R543687-502	Roll Pin 1/8" Dia x 3/4" Lg	1	Stainless Steel
15	R543010-502	Split Pin 1/16" Dia x 3/4" Lg	2	Stainless Steel

PETRO INDUSTRIAL



petroind.com

FLOW VS PRESSURE CURVE:

