



SUZZARABLUE 3 PRO

SUZZARABLUE 3 PRO is the top of the PIUSI range for the transfer of AdBlue® from an IBC tank.

Suitable for all working conditions and all commercial vehicles, it adds to the technical and performance characteristics of the SUZZARABLUE 3 BASIC version the precision of the K24 meter for AdBlue® or the SB325_X METER metered nozzle for precise dispensing.

FEATURES:

- Sturdy design;
- Reliability and performance even in sub-optimal situations;
- Dispensing always guaranteed;
- Adblue® is never contaminated;
- Perfect for all condition and applications;
- Ergonomic connection to IBC;
- Wide range of configuration possibilities;
- Piusi meter (Sb325_x meter or k24).

PERFORMANCE:

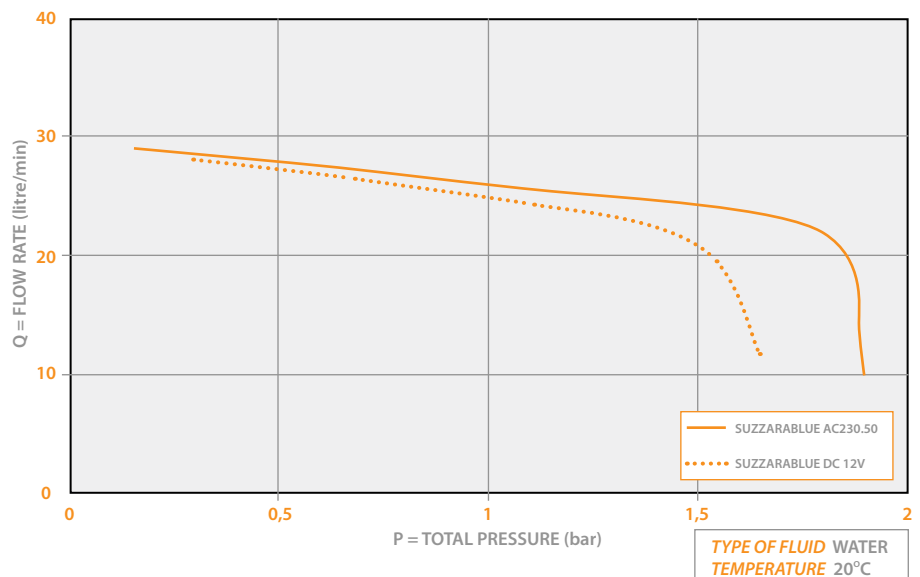
- up to 35 l/min;
- AC/DC voltage power;
- 6m delivery hose;
- 20 min duty cycle.



IN THE BOX:

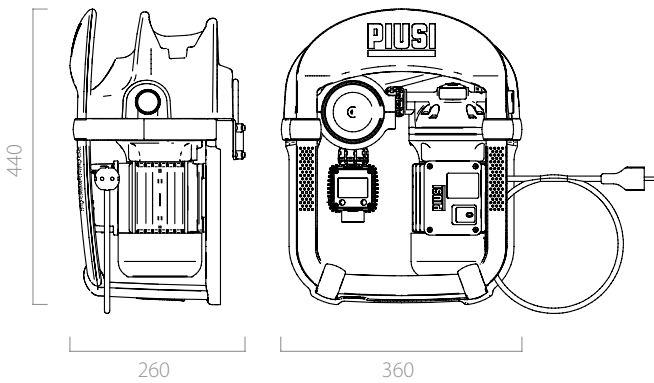
- Suzzarablue 3 unit;
- Suction & delivery hose;
- Manual/automatic nozzle;
- K24 meter (on selected version);
- Sec connector (*);
- 3D filter (on selected version);
- Instruction manual.

SUZZARABLUE AC/DC





Dimensions in mm



COMPONENTS:

- PUMPS:**
 SUZZARABLU3 PUMP AC PAG. 70
 SUZZARABLU3 PUMP DC PAG. 72
- NOZZLE:**
 SB325_X PAG. 116
 SUZZARABLU3 A60 PAG. 118
 SUZZARABLU3 MANUAL NOZZLE PAG. 120
- FILTER:**
 3D FILTER PAG. 126
- METER:**
 K24 PAG. 94
 SB325_X METER PAG. 106



Metered Nozzle/Nozzle**



3D Filter Available



K24 Meter Available



Sec Connector Available*

PRODUCT RANGE:

Code	Description	Fluid	Flow Rate		Voltage	Meter	Nozzle	3D Filter	IBC Connector	Hose	
			L/min	GPM						Power	Type
F00101510	SUZZ.BLUE3 PRO PURE 12V SB325M	Ad/W	35	9,3	12V	SB325_X Meter	SB325_X	Yes	SEC	1,5 M Ø20	6 M Ø20
F00101390	SUZZ.BLUE3 PRO 12V A60	Ad/W	35	9,3	12V	K24	A60	No	SEC	1,5 M Ø20	6 M Ø20
F00101500	SUZZ.BLUE3 PRO PURE 12V A60	Ad/W	35	9,3	12V	K24	A60	Yes	SEC	1,5 M Ø20	6 M Ø20
F00101440	SUZZ.BLUE3 PRO 230/50 A60	Ad/W	35	9,3	230V 50HZ	K24	A60	No	SEC	1,5 M Ø20	6 M Ø20
F00101490	SUZZ.BLUE3 PRO PURE 230/50 A60	Ad/W	35	9,3	230V 50HZ	K24	A60	Yes	SEC	1,5 M Ø20	6 M Ø20
F00101560	SUZZ.BLUE3 PRO 230/50 M.NOZ	Ad/W	35	9,3	230V 50HZ	K24	Manual	No	SEC	1,5 M Ø20	6 M Ø20
F00101430	SUZZ.BLUE3 PRO 230/50 SB325	Ad/W	35	9,3	230V 50HZ	K24	SB325_X	No	SEC	1,5 M Ø20	6 M Ø20
F0010100A	SUZZ.BLUE3 PRO PURE 230/50 SB325	Ad/W	35	9,3	230V 50HZ	K24	SB325_X	Yes	SEC	1,5 M Ø20	6 M Ø20
F0010101A	SUZZ.BLUE3 PRO PURE 230/50 SB325M	Ad/W	35	9,3	230V 50HZ	SB325_X Meter	SB325_X	Yes	SEC	1,5 M Ø20	6 M Ø20

PACKAGING:

Package: 480 x 390 x 310mm, 14,5kg