



SOLENOID VALVE PETRO BRASS SCR BSP

Normally Open or Closed Options

Item code: B55/B56-SUP1

A high flow valve with brass forged body and stainless steel operator. Suitable for low head and zero head applications. Available in various seat materials including Viton (standard), Silicone, Neoprene & Nitrile. Liquids to 40cst viscosity. Standard coil is weatherproof to IP65 and has LED illuminated plug.

Typical Applications include: Hot water, petrochemical, vacuum packaging, tank drain or low pressure service & general industry.

B55 RANGE OPTIONS:

Model	Port Size BSP	Orifice Ømm	CV	Pressure (BAR)		Vacuum Hg*	Media Temp.	Weight kg	Features
				AC	DC				
Direct Plunger Operation - Normally Closed									
855-1-3	1/8	3	0.26	0-10	0-10	27	-10°C to 100°C	0.45	Body: Brass Seals: Viton (Std) Silicone Neoprene Teflon Operator: Stainless Steel
855-2-3				0-7	0-7				
855-2-4	1/4	4	0.58	0-5	0-5	27	-10°C to 100°C	0.75	Body: Brass Seals: Viton (Std) Silicone Neoprene Teflon Operator: Stainless Steel
855-2-5		0-7	0-7						
855-3-4	3/8	4	0.58	0-5	0-5	27	-10°C to 100°C	0.75	Body: Brass Seals: Viton (Std) Silicone Neoprene Teflon Operator: Stainless Steel
855-3-6		0-5	0-5						
855-3-8	1/2	8	0.97	0-2	0-2	27	-10°C to 100°C	0.80	Body: Brass Seals: Viton (Std) Silicone Neoprene Teflon Operator: Stainless Steel
855-4-6		0-2	0-2						
855-4-8	1/2	8	0.97	0-2	0-2	27	-10°C to 100°C	0.80	Body: Brass Seals: Viton (Std) Silicone Neoprene Teflon Operator: Stainless Steel

IMPORTANT - Chemical Resistance

For specific information on chemical resistance of valve components to various Liquids and Gases, refer to the manufacturer or your distributor. It is the responsibility of the user to determine suitability of the liner and body material to the application.

PETRO INDUSTRIAL



petroind.com

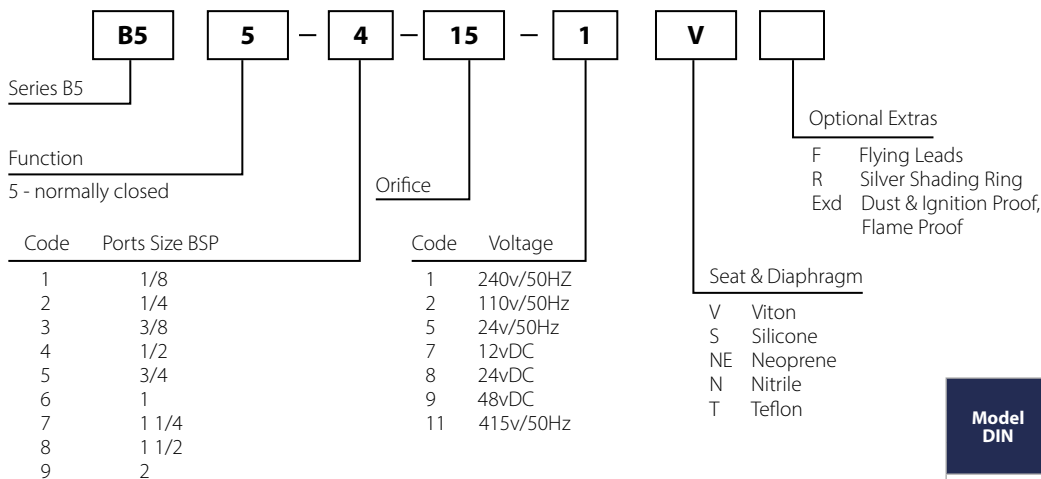


B55 RANGE CONTINUES:

Model	Port Size BSP	Orifice Ømm	CV	Pressure (BAR)		Vacuum Hg*	Media Temp.	Weight kg	Features					
				AC	DC									
Pilot Plunger with Coupled Diaphragm - Normally Closed														
855-3-15	3/8	15	4.5	0-10	0-10	27	-10°C to 100°C	1.00	Body: Brass Seals: Viton (Std) Silicone Neoprene Teflon Operator: Stainless Steel	Air, Fluid, Vacuum Also available in Normally Open				
855-4-15	1/2													
855-5-20	3/4	9.3												
855-6-25	1	25	13.2											
855-7-35	1 1/4	35	26	0-7	0-7						4.80	5.35	7.25	10.25
855-8-35	1 1/2													
855-9-50	2	50	48	0-10	0-10						7.25	10.25		
855-6F-25	Flange	25	13.2											
855-7F-35		35	26											
855-8F-35		50	48											
855-9F-50		50	48											

IMPORTANT - Chemical Resistance

For specific information on chemical resistance of valve components to various Liquids and Gases, refer to the manufacturer or your distributor.

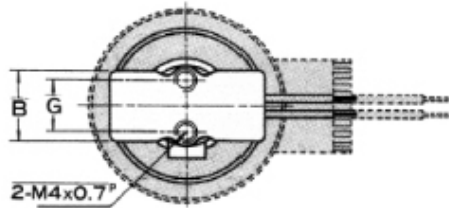
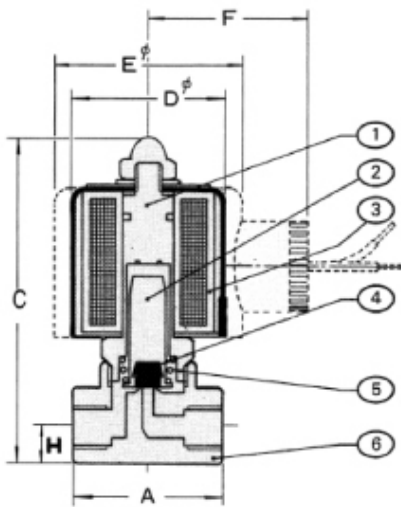


Coil Specifications

Model DIN	Power			Insulation Grade
	AC (VA)		DC (Watt)	
	50Hz	60Hz		
B55-1 to 2	15.4	11.7	12.0	F
B55-3 to 9	24.4	19.8	17.5	F



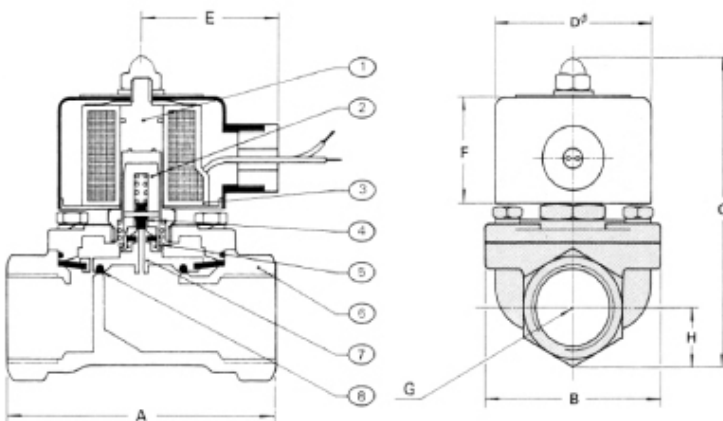
Direct Plunger



Unit: mm

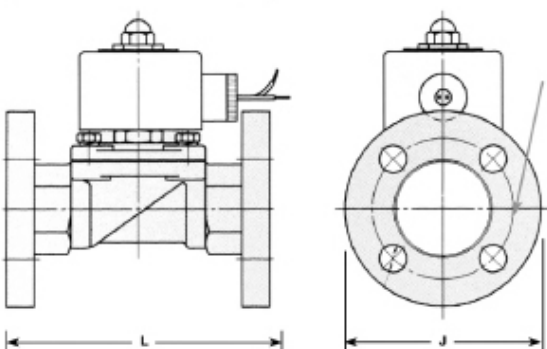
Model	A	B	C	D (DIN)	E (DIN)	F	G BSP	H
B55-1-3	41	19	86.5	41	-	-	1/8	10.5
B55-2-3~5	41	19	86.5	41	-	-	1/4	10.5
B55-3-4~8	50	25	91	-	52	45	3/8	11.7
B55-4-6~8	50	27	91	-	52	45	1/2	13.0

Coupled Diaphragm



Unit: mm

Model	A	B	C	D (DIN)	E (DIN)	F	G BSP	H
B55-3-15	75	52	103	56	66	41	1/2	14.5
B55-4-15	85	60	114	56	66	41	3/4	18
B55-5-20	100	70	120	56	66	41	1	23
B55-6-25	120	90	140	56	66	41	1¼	33
B55-7-35	120	90	140	56	66	41	1½	33
B55-8-35	120	90	140	56	66	41	1¾	33
B55-9-50	150	122	160	56	66	41	2	40.4



Holes can be drilled to suit most flange tables

Model	L	J
B55-6F	130	125
B55-7F	160	135
B55-8F	160	140
B55-9F	200	155

Item	Article	Material
1	Armature	Stainless Steel 304
2	Plunger	Stainless Steel 304
3	Coil	Brass Wire
4	Plunger Seat	Viton, Silicon, Teflon, Neoprene
5	Spring	Stainless Steel 304
6	Valve Body	Brass Forged
7	Diaphragm	Viton, Silicon, Neoprene
8	Leak Proof Ring	Viton, Silicon, Neoprene

PETRO INDUSTRIAL



petroind.com

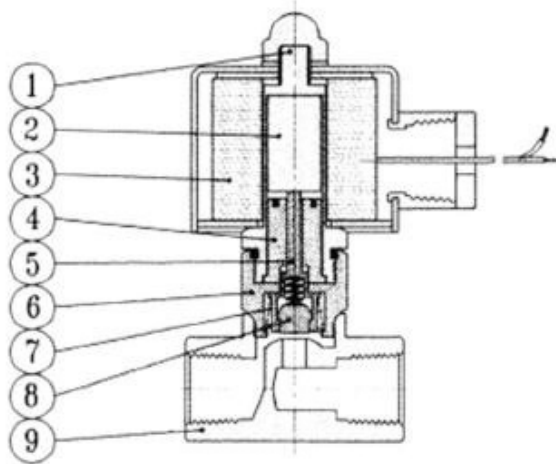


B56 RANGE OPTIONS:

Model	Port Size BSP	Orifice Ømm	CV	Media Pressure	Media Temp.	Weight kg	Coil Specifications
Normally Open							
B56-4-15-*V	1/2	15	4.5	0.5-10 BAR	-10°C to 100°C	1.4	SC-C1 15 Volt Amps 12 Watts Class H Insulation 100% ED
B56-5-20-*V	3/4	20	9.3			1.8	
B56-6-25-*V	1	25	13.2			1.9	
B56-7-35-*V	1 1/4	35	26			3.0	
B56-8-35-*V	1 1/2	35	26			3.0	
B56-9-50-*V	2	50	48			5.1	

B56 CONSTRUCTION:

Item	Article	Material
1	Solenoid Tube	Stainless Steel
2	Slide Core	Stainless Steel
3	Coil	Brass Wire
4	Armature Core	Stainless Steel
5	Operating Spindle	Stainless Steel
6	Joint Sleeve	Stainless Steel
7	Spring	Stainless Steel
8	Seat	Viton
9	Valve Body	Brass



B56 DIMENSIONS:

Model	G BSP	A	B	C	F
B56-4-15-*V	1/2	75	75	129	14.5
B56-5-20-*V	3/4	85	85	140	18
B56-6-25-*V	1	100	100	146	23
B56-7-35-*V	1 1/4	120	120	166	33
B56-8-35-*V	1 1/2	120	120	166	33
B56-9-50-*V	2	150	150	186	40.5

